

# GOK

Komponenten • Lösungen • Systeme



## Data sheet – Universal connection fitting type UA

## Data sheet - Universal connection fitting type UA



### Universal connection fitting type UA PS 16 bar

The universal connection fitting type UA corresponds to a clamp connection of design type G according to EN 12514:2022 Annex L.3.1.

Clamp connections are a line connection for building elements according to prEN 12514:2022 with female thread G 3/8 for copper pipes ⑤ in the dimensions according to DIN EN 1057. prEN 12514 describes three different designs of clamp connections that may not be confused with each other.

The universal connection fitting type UA is suitable for the line connection of pipes with an outside diameter AD of 6, 8 and 10 mm. Most GOK fittings as a component according to DIN EN 12514-2:2000 have a screw-in hole ① with a female thread G 3/8 to accommodate a universal connection fitting type UA: G 3/8-UA F.

The universal connection fitting type UA consists of the following components:

- Clamping ring ②;
- Pressure sleeve ③ and
- Pressing screw ④ with male thread G 3/8.

These components are shown in Figure 1 in relation to the outer diameter of the pipe. The universal connection fitting for pipes with an outside diameter of 10 mm does not have a pressure sleeve.

For copper pipes ⑤ in the dimensions according to DIN EN 1057 brass reinforcing sleeves ⑧ must always be used. The GOK scope of delivery of universal connection fitting type UA includes brass reinforcing sleeves for copper pipes with a wall thickness of 1 mm.

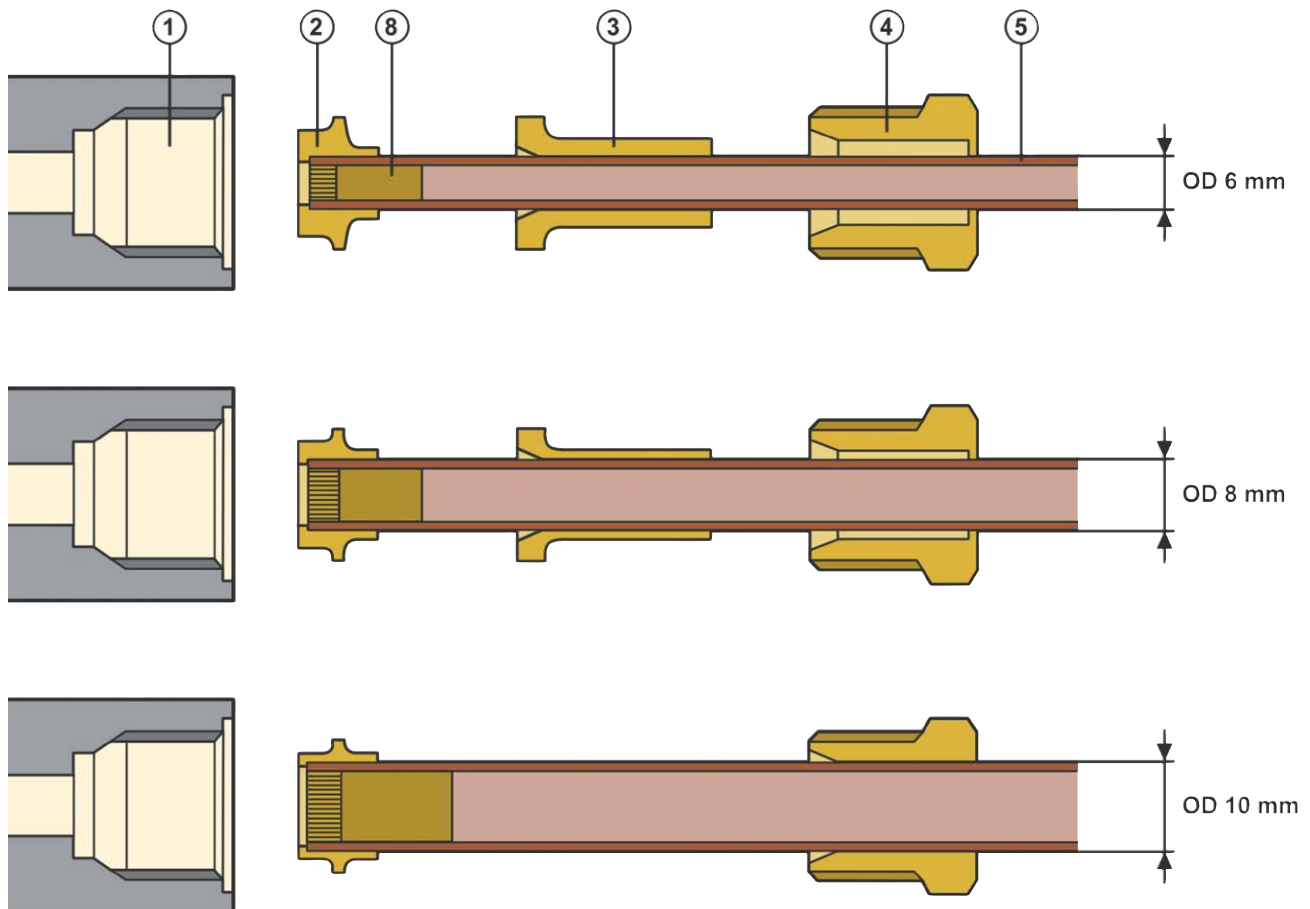


Figure 1:  
Universal connection fitting type UA – assembly diagram of the individual components

## Data sheet - Universal connection fitting type UA

When the universal connection fitting type UA is installed properly, the seal is achieved at a maximum permitted pressure of PS 16 bar through the tightening torque of the pressing screw that results from “jamming” the clamping ring with the pipe into the cone of the tapped hole.

The conformity of the universal connection fitting type UA is currently given by certificate ÜHP with type testing according to DIN EN 12514-2:2000.

The more recent GOK fittings as a component according to DIN EN 12514-2:2000 have a screw-in hole ① with a female thread **G 3/8-UA-O F** as shown in image 2 for the optional accommodation of

- a universal connection fitting type UA
- or
- a screw-in connector ⑦ with O ring ⑥.

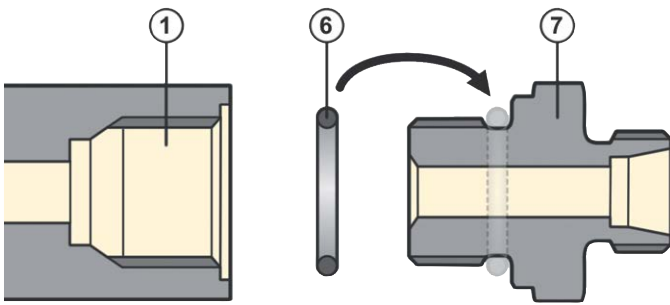


Figure 2:  
Screw-in hole G 3/8-UA-O according to EN 12514:2022 image L.1 with O-ring and screw-in compression fitting

The screw-in connectors ⑦ must comply with form B according to DIN EN ISO 1179-4 (equivalent to DIN 3852-2) or prEN 12514 Annex K (equivalent to form A according to DIN 3852-2). The O ring ⑥ has the dimensions 14 x 2 mm. The GOK fittings with female thread **G 3/8-UA-O F** contain the appropriate number of O rings ⑥ for the line connection.