

GOK

Components • Solutions • Systems



Gas

PICTURE PRICE LIST
for LPG in leisure time

2025

<i>Caravan</i>	<i>Grill & BBQ</i>	<i>Camping</i>	<i>Marine Line</i>

GOK



Caramatic SafeDrive

Caramatic SafeDrive is the new gas pressure regulation system from GOK for motor caravans, caravans or campervans. This new development allows the use of the LPG system also while driving. The pressure regulator with integrated crash sensor is screwed directly on the gas cylinder which has several advantages.

- ✔ Straightforward retrofitting an installation
- ✔ Always leave the gas cylinder open
- ✔ Protection of the entire pipe system in Caravans, Motorcaravans and Campervans
- ✔ No gas filter or excess flow valve necessary
- ✔ Low space requirement in the gas cylinder case



MADE in **GERMANY**

Areas of application	2 – 3
Motor caravan – Gas supply while driving	4 – 21
Caravan and motor caravan	22 – 73
Grill & barbecue	74 – 85
Camping	86 – 103
Marine Line	104 – 130
Pipe system	131 – 165
Accessories	166 – 185
Information and service	186 – 221
Functions of the safety devices	186
Description of the inlet connectors	194
Description of the outlet connectors	200
Good to know	202
Shop packaging	204
Abbreviations and units	205
Price list (ascending by part numbers)	206
Supply and Payment Conditions	216
Index	220

NEW in the delivery program:

Caramatic SafeDrive	4
Caramatic SafeDrive PLUS	6
Low pressure regulator type EN61	76, 88
with integrated hose protection unit (HPU)	



Product information: We deliver exclusively products that do not contain chromium VI.

The prices indicated in the picture price list are in euro and exclude statutory value added tax as well as packaging and shipping costs. The discount scale according to your applicable list of terms is to be applied to these prices.

All descriptions and sizes provided are non-binding. We reserve the right to make design changes. The images of products as well as the drawings of applications and products are intended as examples only. We assume no liability for printing errors or mistakes!

The picture price list is valid for deliveries since 01/01/2025! Previous price documents are no longer valid! We reserve the right to adjust prices!

VAT No. DE 133017271 | WEEE-Reg.-No. DE 78472800

Areas of application

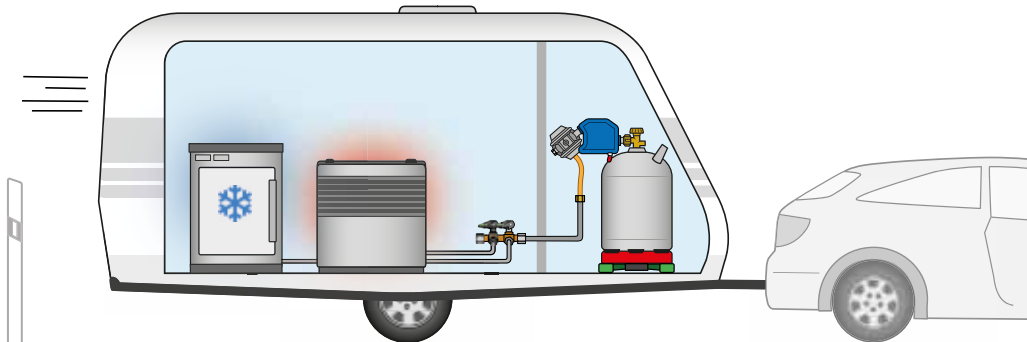


Caravan and Motor caravan – Gas supply while driving

All components, for the gas supply of the leisure vehicle while driving

The regulation system is mounted directly on the gas cylinder.

from page 4

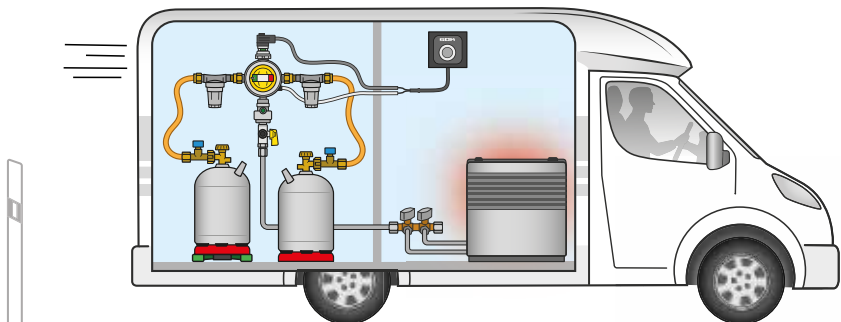


Caravan and Motor caravan – Gas supply while driving

All components to supply the leisure vehicle e.g. with heat while driving

The regulation system is mounted on the wall.

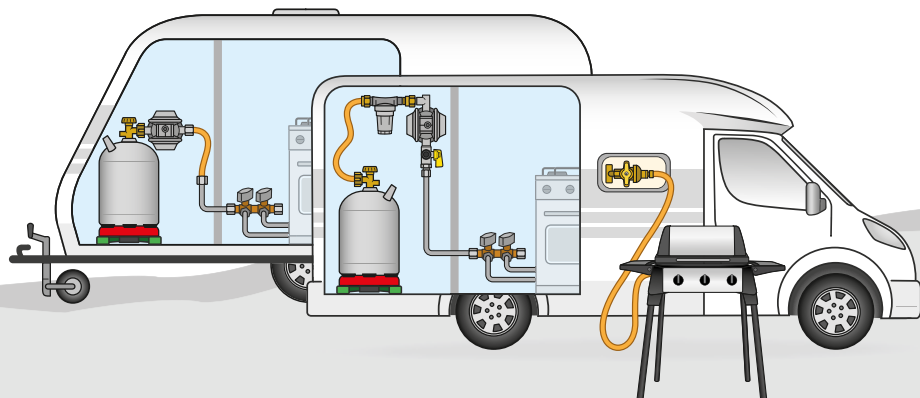
from page 10



Caravan and motor caravan

All connection solutions for caravans and motor caravans

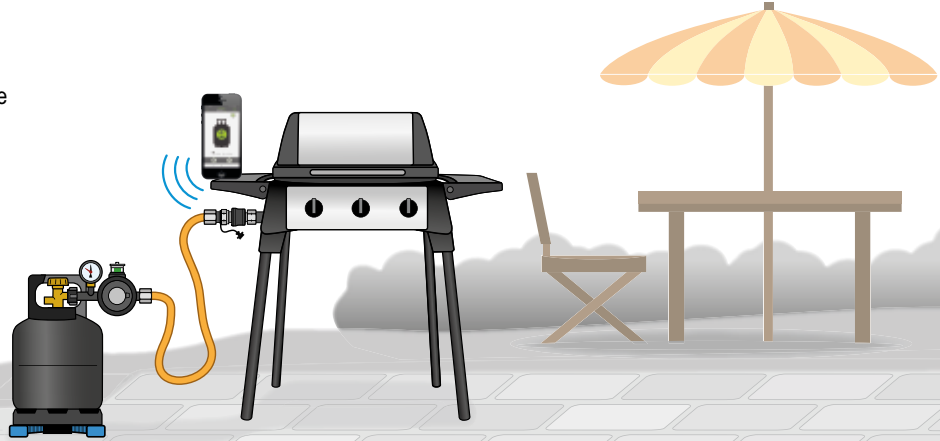
from page 22





Grill & barbecue

All components for outdoor barbecue
from page 74



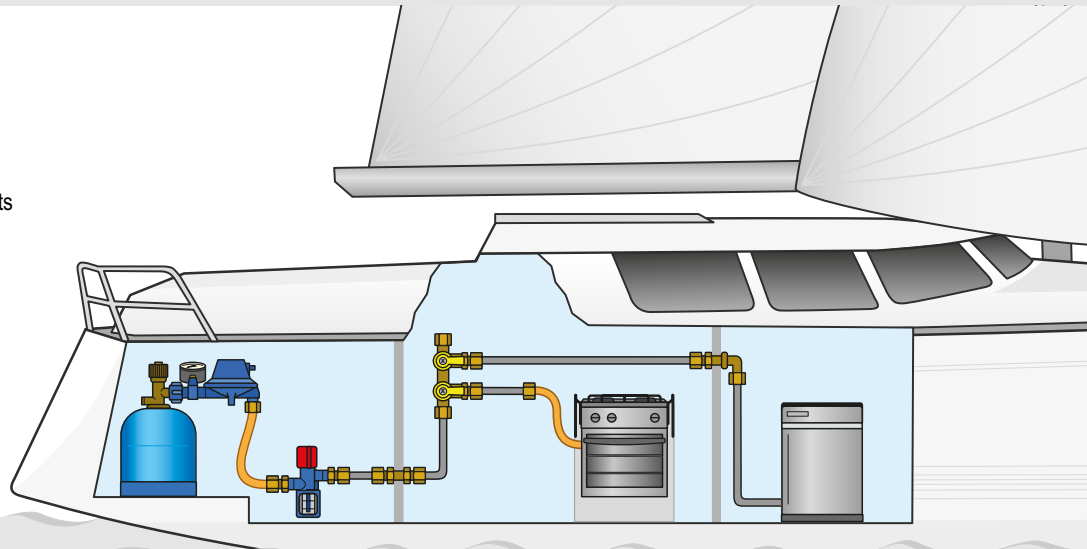
Camping

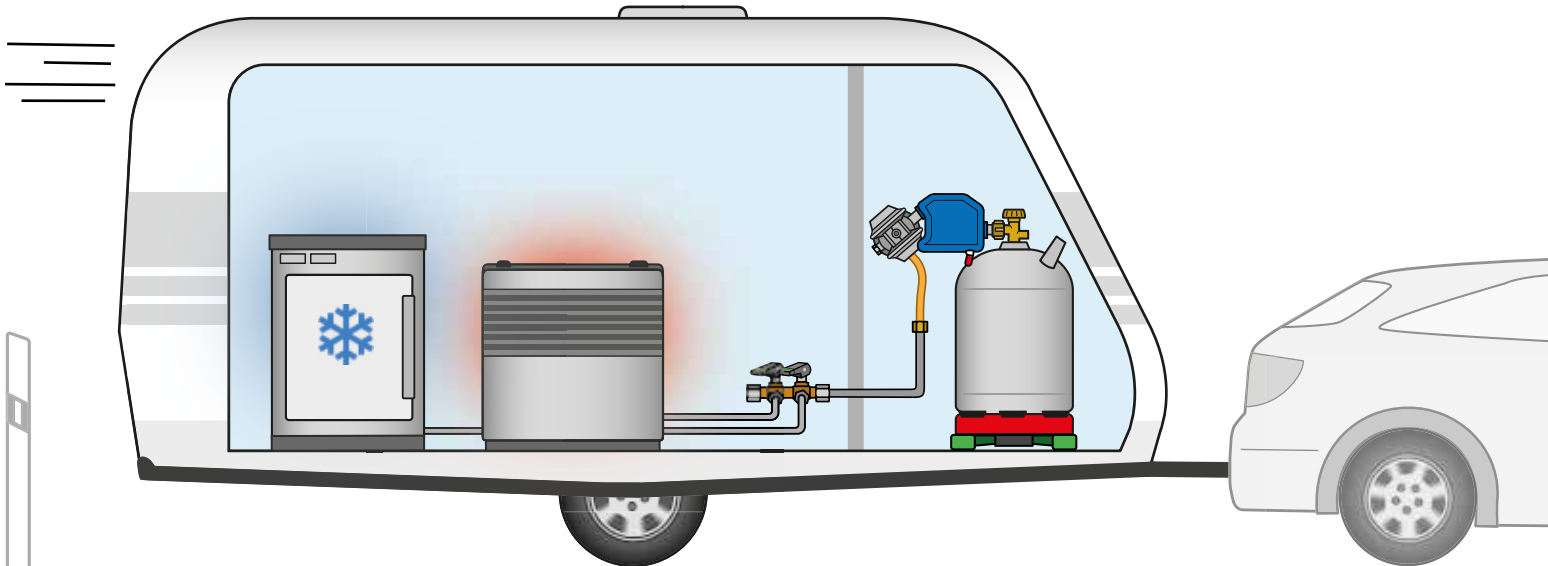
All components for small cylinder systems outside
from page 86



Marine Line

All components for LPG systems on boats
and ships
from page 104





Caramatic SafeDrive is a safety pressure regulation system to operate single-cylinder systems in motor caravans and caravans also while driving.

The unit consisting of low pressure regulator and crash sensor is mounted directly on the gas cylinder. A hose assembly connects the regulation system to the vehicle's piping.

The advantages of Caramatic SafeDrive are:

- Straightforward retrofitting, as no wall assembly of the regulator is required; the installation takes place directly on the gas cylinder
- Problem-free change of manufacturer to GOK
- No gas filter or excess flow valve necessary thanks to the installation of the system directly on the gas cylinders
- Low space requirement for the installation in the gas cylinder case
- Protection of the entire pipe system starting from the gas cylinder thanks to the crash sensor
- The gas cylinder can stay open at all times
- Gas supply to gas appliances also while driving



In contrast to the previous version, the crash sensor with pendulum solution from GOK offers the following advantages:

- faster and easier start-up and reset after response
- more precise performance and therefore less interference from incorrect response behaviour
- start-up possible with no problem, even if the leisure vehicle is in an inclined position

Gas supply while driving

NEW



Caramatic SafeDrive

Part no.

€ / 1 pc.

safety gas pressure regulation device for the operation of single-cylinder systems in motor caravans and caravans while driving, for direct connection to the gas cylinder

consisting of: mechanical crash sensor new with pendulum, low pressure regulator with over-pressure safety device S2SR, medium pressure hose assembly and regulator bracket

Advantages and equipment

- gas supply while driving using the integrated mechanical crash sensor new with pendulum, which blocks the gas flow in case of an accident
- Advantages crash sensor new with pendulum:
 - faster and easier start-up and reset after response
 - more precise performance and therefore less interference from incorrect response behaviour
 - start-up possible with no problem, even if the leisure vehicle is in an inclined position
- straightforward retrofitting, as no wall assembly of the regulator is required; the installation takes place directly on the gas cylinder
- low space requirement for the installation in the gas cylinder case
- gas cylinder can also stay open all the time while driving
- increased safety, as in the event of an accident, the gas supply is stopped directly at the gas cylinder
- medium pressure hose assembly (rubber with textile lining; cold resistant up to -30 °C; hose dimensions 6.3 x 3.5 mm) G 1/4 lh nut x compr. fit. 10 x 450 mm
- by default, the version with compression fitting 10 / 8 at the outlet is fitted with an adapter to connect 8 mm piping
- brackets for safe holding of the regulator on the wall, e.g. when replacing the gas cylinder

Conformity

- single fittings with DIN-DVGW and/or DVGW [German Association of Gas and Water] type test certificate or EU type examination certificate PED

Technical data

- maximum permissible pressure: PS 16 bar

Note

- Caramatic SafeDrive cannot be used with adapter for the gas cylinder with clip-on connector.

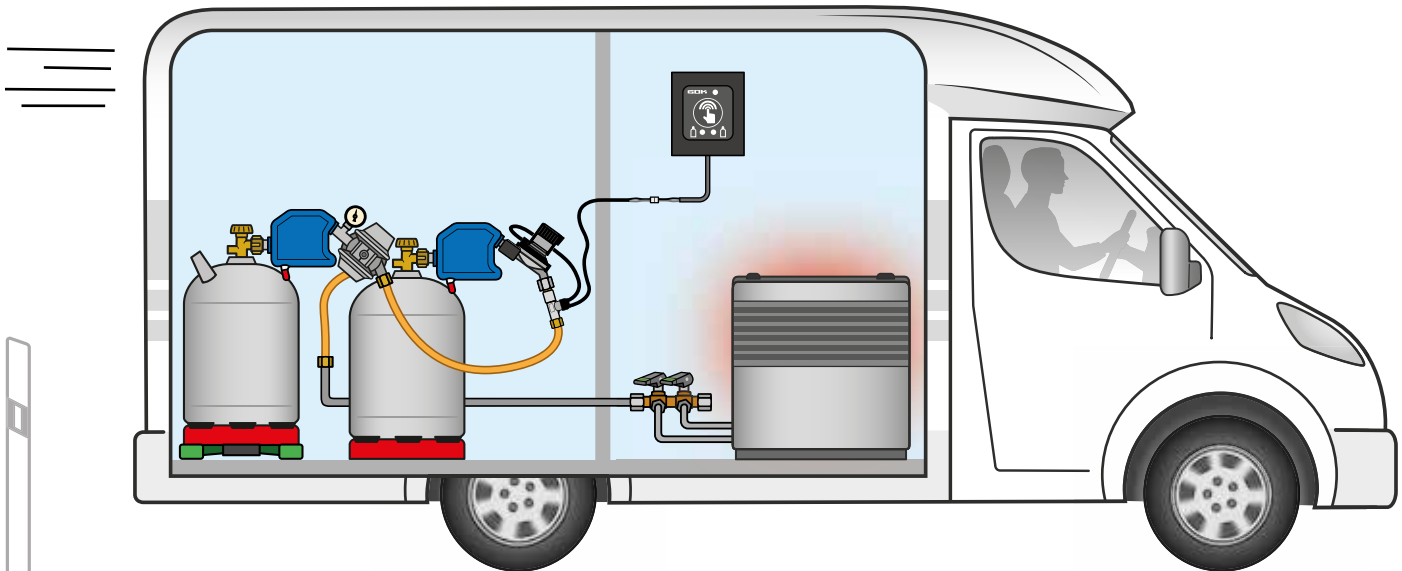
Shop packaging

Caramatic SafeDrive

KLF	x	compr. fit. 10 / 8	30 mbar	1,5 kg/h	DE / AT / PL	71 833 12	146.00
Brit.POL	x	compr. fit. 10 / 8	30 mbar	1,5 kg/h	GB propane	71 833 07	146.00
EU-Shell	x	compr. fit. 10 / 8	30 mbar	1,5 kg/h	GB butane	71 833 08	146.00
Ital.A	x	compr. fit. 10 / 8	30 mbar	1,5 kg/h	IT / GR / CY	71 833 01	146.00
POL-WF	x	compr. fit. 10 / 8	30 mbar	1,5 kg/h	SE	71 833 10	146.00
Shell-F	x	compr. fit. 10 / 8	30 mbar	1,5 kg/h	CH / BE	71 833 02	146.00
KLF	x	compr. fit. 10 / 8	50 mbar	1,5 kg/h	DE / AT / PL	71 835 12	146.00

Spare Part

Medium pressure hose assembly G 1/4 lh nut x compr. fit. 10 x 450 mm	64 409 04	9.90
Fitting pipe socket 10 x compr. fit. 8	67 223 00	5.39



Caramatic SafeDrive PLUS is a unit to operate two-cylinder systems in motor caravans and caravans also while driving.

The central and changeover regulators - each equipped with integrated crash sensor - are mounted to the two gas cylinders and connected to each other with a hose assembly. Another hose assembly provides the connection to the vehicle's piping.

The advantages of Caramatic SafeDrive PLUS are:

- Straightforward retrofitting, as no wall assembly of the regulators is required; the installation takes place directly on the gas cylinder
- Problem-free change of manufacturer to GOK
- No gas filter or excess flow valve necessary thanks to the installation of the system directly on the gas cylinders
- Low space requirement for the installation in the gas cylinder case
- Protection of the entire pipe system starting from the gas cylinder thanks to the crash sensor
- Automatic changeover – without interrupting the gas supply
- The gas cylinder can stay open at all times
- Gas supply to gas appliances also while driving
- Can be upgraded with the Caramatic BasicControl remote display



In contrast to the previous version, the crash sensor with pendulum solution from GOK offers the following advantages:

- faster and easier start-up and reset after response
- more precise performance and therefore less interference from incorrect response behaviour
- start-up possible with no problem, even if the leisure vehicle is in an inclined position

Gas supply while driving

NEW



Caramatic SafeDrive PLUS

Part no.

€ / 1 pc.

Safety gas pressure automatic changeover system for the operation of two-cylinder systems in motor caravans and caravans while driving, for direct connection to the gas cylinder

consisting of: central and changeover regulator with mechanical crash sensor new with pendulum and pressure gauge, medium pressure hose assemblies and regulator bracket

Advantages and equipment

- gas supply while driving using the integrated mechanical crash sensor new with pendulum, which blocks the gas flow in case of an accident
- Advantages crash sensor new with pendulum:
 - faster and easier start-up and reset after response
 - more precise performance and therefore less interference from incorrect response behaviour
 - start-up possible with no problem, even if the leisure vehicle is in an inclined position
- straightforward retrofitting, as no wall assembly of the regulators is required; the installation takes place directly on the gas cylinder
- low space requirement for the installation in the gas cylinder case
- gas cylinder can also stay open all the time while driving
- increased safety, as in the event of an accident, the gas supply is stopped directly at the gas cylinder
- automatic changeover to the gas cylinder on the reserve side as soon as the gas cylinder on the operating side is empty
- the cylinder can be replaced without operational interruption
- with pressure relief valve PRV
- gas non-return valve: prevents the escape of gas when the cylinder is replaced
- medium pressure hose assembly (rubber with textile lining; cold resistant up to -30 °C; hose dimensions 6.3 x 3.5 mm) G 3/8 lh nut x G 3/8 lh nut x 450 mm to connect the two regulators
- medium pressure hose assembly (rubber with textile lining; cold resistant up to -30 °C; hose dimensions 6.3 x 3.5 mm) G 1/4 lh nut x compr. fit. 10 x 450 mm
- suitable for connection of the remote display Caramatic BasicControl
- by default, the version with compression fitting 10 / 8 at the outlet is fitted with an adapter to connect 8 mm piping
- brackets for safe holding of the regulator on the wall, e.g. when replacing the gas cylinder

Conformity

- single fittings with DIN-DVGW and/or DVGW [German Association of Gas and Water] type test certificate or EU type examination certificate PED

Technical data

- maximum permissible pressure: PS 16 bar
- connections: outlet: central regulator: G 1/4 lh M
changeover regulator: G 3/8 lh M
- outlet pressure: central regulator: 30 or 50 mbar
changeover regulator: 150 mbar

Note

- Caramatic SafeDrive PLUS cannot be used with adapter for the gas cylinder with clip-on connector.

Gas supply while driving

Caramatic SafeDrive PLUS						Part no.	€ / 1 pc.
Shop packaging							
Caramatic SafeDrive PLUS							
KLF	x	compr. fit. 10 / 8	30 mbar	1.5 kg/h	DE / AT / PL	71 843 12	325.00
Brit.POL	x	compr. fit. 10 / 8	30 mbar	1.5 kg/h	GB propane	71 843 07	325.00
EU-Shell	x	compr. fit. 10 / 8	30 mbar	1.5 kg/h	GB butane	71 843 08	325.00
Ital.A	x	compr. fit. 10 / 8	30 mbar	1.5 kg/h	IT / GR / CY	71 843 01	325.00
POL-WF	x	compr. fit. 10 / 8	30 mbar	1.5 kg/h	SE	71 843 10	325.00
Shell-F	x	compr. fit. 10 / 8	30 mbar	1.5 kg/h	CH / BE	71 843 02	325.00
KLF	x	compr. fit. 10 / 8	50 mbar	1.5 kg/h	DE / AT / PL	71 845 12	325.00
Spare Part							
Medium pressure hose assembly G 1/4 lh nut x compr. fit. 10 x 450 mm						64 409 04	9.90
Medium pressure hose assembly G 3/8 lh nut x G 3/8 lh nut x 450 mm						64 505 11	15.47
Fitting pipe socket 10 x compr. fit. 8						67 223 00	5.39
Accessories							
Caramatic BasicControl - Remote display for Caramatic BasicTwo two-cylinder system or Caramatic SafeDrive PLUS						71 392 00	134.20

Gas supply while driving



Caramatic BasicControl

Part no.

€/ 1 pc.

Remote display for Caramatic BasicTwo two-cylinder system or Caramatic SafeDrive PLUS

Convenient information and control unit for monitoring of the operating and reserve cylinders of the two-cylinder system Caramatic BasicTwo for motor caravans, caravans and boats or the Caramatic SafeDrive PLUS for motor caravans and caravans.

consisting of: information and control unit including connection cable 6 m, cover frame, pressure and reed sensor for remote display with connection cable 2 m

Advantages and equipment

- remote indication of the operating status (normal or reserve operation) of the gas cylinders
- Always know whether and, if so, which of the two gas cylinders is empty and needs to be changed
- can be easily installed in new systems or retrofitted in existing systems
- can be used with the two-cylinder system Caramatic BasicTwo or Caramatic SafeDrive PLUS
- connection of all components by using a plug system, no soldering necessary

Conformity

- CE marking according to ATEX and EMC

Technical data

- supply voltage: 12 V

Shop packaging

Caramatic BasicControl

Remote display for Caramatic BasicTwo two-cylinder system or SafeDrive PLUS

Information and control unit with pressure and reed sensor for remote display

71 392 00

134.20

Spare Part

Cover frame, colour: anthracite

71 391 00

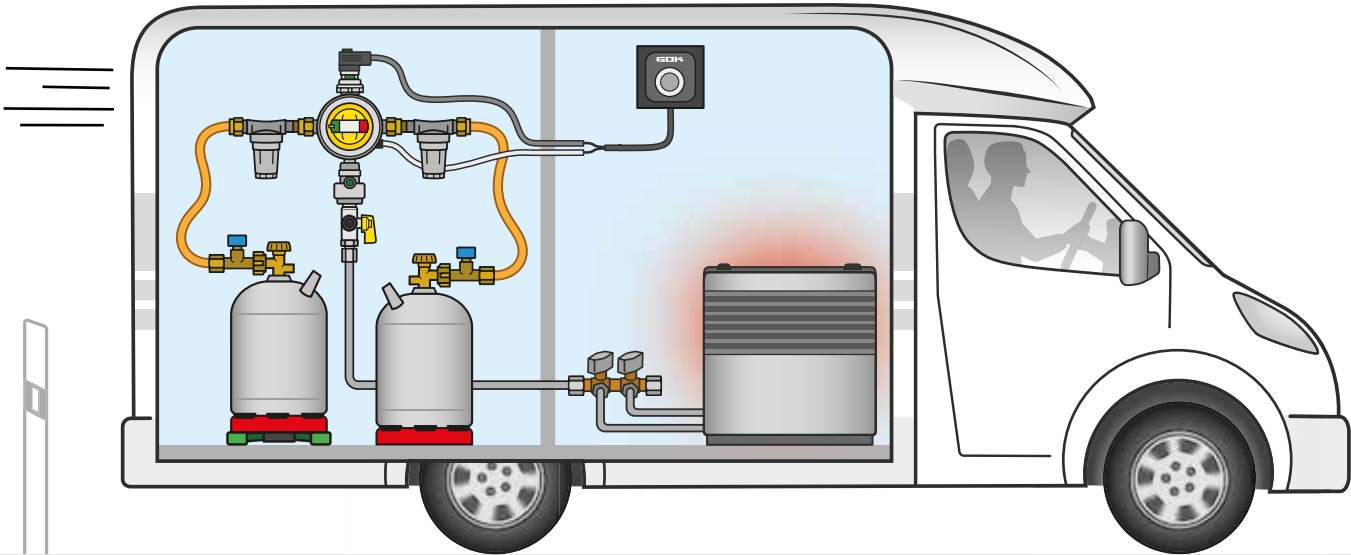
4.60

Accessories

Extension cable 10 m

71 392 01

15.04



Caravan and Motor caravan – Gas supply while driving

If, for example, the on-board gas heating is also to be used to heat the vehicle during the journey, special safety devices must be installed to prevent gas leakage in the event of a traffic accident.

The combination of an excess flow device for the high pressure hose assembly and a mechanical crash sensor for the piping monitors the LPG installation continuously.



In contrast to the previous version, the crash sensor with pendulum solution from GOK offers the following advantages:

- faster and easier start-up and reset after response
- more precise performance and therefore less interference from incorrect response behaviour
- start-up possible with no problem, even if the leisure vehicle is in an inclined position

The connection to the gas cylinder is made with the suitable country-specific excess flow device and a high pressure hose assembly without the low pressure regulator having to be replaced.

Between the hose assembly and the low pressure regulator is a gas filter, which protects the connected fittings and devices from soiling.

Gas supply while driving



Caramatic DriveTwo Set

Part no.

€ / 1 pc.

safety gas pressure regulation device with automatic changeover valve for the operation of two-cylinder systems in caravans and motor caravans during the journey, for connection to gas cylinders with high pressure hose assemblies to regulate the pressure to the nominal pressure of the gas equipment

consisting of: 2 x Caramatic ConnectDrive (length: 450 mm), 2 x Caramatic ConnectClean 2.0 with fixing bracket, automatic changeover valve, low pressure regulator with pressure relief valve PRV, mechanical crash sensor new with pendulum, control knob, operation and reserve display, non-return gas valve, test device and wall bracket

Advantages and equipment

- includes all components for start-up a two-cylinder system suitable for gas supply while driving
- gas supply while driving using the integrated mechanical crash sensor new with pendulum, which blocks the gas flow in case of an accident
- Advantages crash sensor new with pendulum:
 - faster and easier start-up and reset after response
 - more precise performance and therefore less interference from incorrect response behaviour
 - start-up possible with no problem, even if the leisure vehicle is in an inclined position
- automatic changeover to the gas cylinder on the reserve side as soon as the gas cylinder on the operating side is empty
- the cylinder can be replaced without operational interruption
- gas non-return valve: prevents the escape of gas when the cylinder is replaced
- even gas supply through the optimum use of the gas cylinder content
- displays which gas cylinder gas is being taken from
- test point for leak testing the LPG system without disassembling the pressure regulating device
- suitable for connection of an Eis-Ex, e.g. Caramatic TwoControl
- suitable for connection of a remote display, e.g. Caramatic TwoControl
- by default, the version with compression fitting 10 / 8 at the outlet is fitted with an adapter to connect 8 mm piping

Conformity

- single fittings with DIN-DVGW and/or DVGW [German Association of Gas and Water] type test certificate or EU type examination certificate PED
- single fittings with DIN-DVGW and/or DVGW [German Association of Gas and Water] type test certificate or EU type examination certificate GGV

Technical data

- maximum permissible pressure: PS 16 bar

Shop packaging

Caramatic DriveTwo Set

horizontal installation

2 x KLF x compr. fit. 10 / 8 30 mbar 1.5 kg/h

71 123 23

291.00

vertical installation

2 x KLF x compr. fit. 10 / 8 30 mbar 1.5 kg/h

71 123 13

291.00

Spare Part

Caramatic ConnectDrive G.12 (KLF) x M20 x 1.5 nut x 450 mm

71 884 12

40.70

Filter cartridge 2.0, consisting of 2 x filter elements and 2 x supporting cores

71 781 70

14.01

Filter element 2.0 without supporting core / cont. 2 units

71 781 90

10.80

Additional fixing bracket for Caramatic ConnectClean 2.0

71 781 81

5.00

Fitting pipe socket 10 x compr. fit. 8

67 223 00

5.39

Sealing nut with fastening clip M20 x 1.5 nut

71 509 30

7.40

Accessories

90° elbow M20 x 1.5 M x M20 x 1.5 nut

71 509 00

15.80

Connection set M20 x 1.5 M x compr. fit. 10 / M20 x 1.5 F x compr. fit. 10

71 509 20

24.50

Caramatic TwoControl with transmitter for remote display and Eis-Ex regulator heating

71 300 00

137.50

Caramatic TwoControl with Eis-Ex regulator heating

71 300 20

103.20

Eis-Ex regulator heating, connection cable 2 m

71 390 20

41.10

Gas supply while driving



horizontal



vertical

Caramatic DriveTwo

Part no.

€ / 1 pc.

safety gas pressure regulation device with automatic changeover valve for the operation of two-cylinder systems in caravans and motor caravans during the journey, for connection to gas cylinders with high pressure hose assemblies to regulate the pressure to the nominal pressure of the gas equipment

consisting of: automatic changeover valve, low pressure regulator with pressure relief valve PRV, mechanical crash sensor new with pendulum, control knob, operation and reserve display, non-return gas valve, test device and wall bracket

Advantages and equipment

- gas supply while driving using the integrated mechanical crash sensor new with pendulum, which blocks the gas flow in case of an accident
- Advantages crash sensor new with pendulum:
 - faster and easier start-up and reset after response
 - more precise performance and therefore less interference from incorrect response behaviour
 - start-up possible with no problem, even if the leisure vehicle is in an inclined position
- automatic changeover to the gas cylinder on the reserve side as soon as the gas cylinder on the operating side is empty
- the cylinder can be replaced without operational interruption
- gas non-return valve: prevents the escape of gas when the cylinder is replaced
- even gas supply through the optimum use of the gas cylinder content
- displays which gas cylinder gas is being taken from
- can be used all over Europe through the use of country-specific high pressure hose assemblies - Caramatic ConnectDrive (not included in delivery)
- test point for leak testing the LPG system without disassembling the pressure regulating device
- suitable for connection of an Eis-Ex, e.g. Caramatic TwoControl
- suitable for connection of a remote display, e.g. Caramatic TwoControl
- by default, the version with compression fitting 10 / 8 at the outlet is fitted with an adapter to connect 8 mm piping

Conformity

- EC type examination certificate PED
- EC type examination certificate GAR
- UKCA type examination certificate GAR

Technical data

- maximum permissible pressure: PS 16 bar

Note

- The gas filter Caramatic ConnectClean 2.0 (part no. 71 781 04 / cont. 2 units) is recommended to protect the LPG system in the vehicle from oily aerosols and evaporation residue!

Shop packaging

Caramatic DriveTwo

horizontal installation

2 x M20 x 1.5 M x compr. fit. 10 / 8 30 mbar 1.5 kg/h

71 823 23

154.20

2 x M20 x 1.5 M x compr. fit. 8 50 mbar 1.5 kg/h

71 825 21

154.20

vertical installation

2 x M20 x 1.5 M x compr. fit. 10 / 8 30 mbar 1.5 kg/h

71 823 13

154.20

2 x M20 x 1.5 M x compr. fit. 8 50 mbar 1.5 kg/h

71 825 11

154.20

Spare Part

Sealing nut with fastening clip M20 x 1.5 nut

71 509 30

7.40

Accessories

Caramatic ConnectClean 2.0 M20 x 1.5 M x M20 x 1.5 nut / cont. 2 units

71 781 04

48.44

90° elbow M20 x 1.5 M x M20 x 1.5 nut

71 509 00

15.80

Connection set M20 x 1.5 M x compr. fit. 10 / M20 x 1.5 F x compr. fit. 10

71 509 20

24.50

Fitting pipe socket 8 x compr. fit. 10

62 082 00

6.82

Fitting pipe socket 10 x compr. fit. 8

67 223 00

5.39

Caramatic TwoControl with transmitter for remote display and Eis-Ex regulator heating

71 300 00

137.50

Caramatic TwoControl with Eis-Ex regulator heating

71 300 20

103.20

Eis-Ex regulator heating, connection cable 2 m

71 390 20

41.10

Gas supply while driving



Caramatic DriveOne Set

Part no.

€ / 1 pc.

safety gas pressure regulation device for operating single-cylinder systems in caravans and motor caravans during the journey

consisting of: Caramatic ConnectDrive (length: 450 mm), Caramatic ConnectClean 2.0 with fixing bracket, low pressure regulator with over-pressure safety device S2SR, mechanical crash sensor new with pendulum, test device and fixing bracket

Advantages and equipment

- includes all components for start-up a single-cylinder system suitable for gas supply while driving
- gas supply while driving using the integrated mechanical crash sensor new with pendulum, which blocks the gas flow in case of an accident
- Advantages crash sensor new with pendulum:
 - faster and easier start-up and reset after response
 - more precise performance and therefore less interference from incorrect response behaviour
 - start-up possible with no problem, even if the leisure vehicle is in an inclined position
- test point for leak testing the LPG system without disassembling the pressure regulating device
- suitable for connection of an Eis-Ex, e.g. Caramatic TwoControl
- by default, the version with compression fitting 10 / 8 at the outlet is fitted with an adapter to connect 8 mm piping

Conformity

- single fittings with DIN-DVGW and/or DVGW [German Association of Gas and Water] type test certificate or EU type examination certificate PED
- single fittings with DIN-DVGW and/or DVGW [German Association of Gas and Water] type test certificate or EU type examination certificate GGV

Technical data

- maximum permissible pressure: PS 16 bar

Note

- Fulfils the requirements of DGUV Regulation 110-010 (German statutory accident insurance, previously DGUV Regulation 79) and is suitable for use in commercially used caravans and motor caravans!

Shop packaging

Caramatic DriveOne Set

horizontal installation

straight inlet

KLF x compr. fit. 10 / 8 30 mbar 1.5 kg/h

71 113 23

170.50

vertical installation

90° inlet

KLF x compr. fit. 10 / 8 30 mbar 1.5 kg/h

71 113 13

170.50

Spare Part

Caramatic ConnectDrive G.12 (KLF) x M20 x 1.5 nut x 450 mm

71 884 12

40.70

Filter cartridge 2.0, consisting of 1 x filter element and 1 x supporting core

71 781 60

8.32

Filter element 2.0 without supporting core / cont. 2 units

71 781 90

10.80

Additional fixing bracket for Caramatic ConnectClean 2.0

71 781 81

5.00

Accessories

90° elbow M20 x 1.5 M x M20 x 1.5 nut

71 509 00

15.80

Caramatic TwoControl with Eis-Ex regulator heating

71 300 20

103.20

Eis-Ex regulator heating, connection cable 2 m

71 390 20

41.10

Gas supply while driving



Caramatic DriveOne

Part no.

€ / 1 pc.

safety gas pressure regulation device for operating single-cylinder systems in caravans and motor caravans during the journey

consisting of: low pressure regulator with over-pressure safety device S2SR, mechanical crash sensor new with pendulum and test device

Advantages and equipment

- gas supply while driving using the integrated mechanical crash sensor new with pendulum, which blocks the gas flow in case of an accident
- Advantages crash sensor new with pendulum:
 - faster and easier start-up and reset after response
 - more precise performance and therefore less interference from incorrect response behaviour
 - start-up possible with no problem, even if the leisure vehicle is in an inclined position
- can be used all over Europe through the use of country-specific high pressure hose assemblies - Caramatic ConnectDrive (not included in delivery)
- test point for leak testing the LPG system without disassembling the pressure regulating device
- suitable for connection of an Eis-Ex, e.g. Caramatic TwoControl
- by default, the version with compression fitting 10 / 8 at the outlet is fitted with an adapter to connect 8 mm piping

Conformity

- EC type examination certificate PED
- EC type examination certificate GAR
- UKCA type examination certificate GAR

Technical data

- maximum permissible pressure: PS 16 bar

Note

- Fulfills the requirements of DGUV Regulation 110-010 (German statutory accident insurance, previously DGUV Regulation 79) and is suitable for use in commercially used caravans and motor caravans!
- For Caramatic DriveOne with wall bracket it is recommended to use the gas filter Caramatic ConnectClean 2.0 (part no. 71 781 03) to protect the LPG system in the vehicle from oily aerosols and evaporation residues!

Shop packaging

Caramatic DriveOne with wall bracket

horizontal installation

straight inlet

M20 x 1.5 M x compr. fit. 10 / 8 30 mbar 1.5 kg/h

71 813 23 103.20

M20 x 1.5 M x compr. fit. 8 50 mbar 1.5 kg/h

71 815 21 103.20

vertical installation

inlet 90°

M20 x 1.5 M x compr. fit. 10 / 8 30 mbar 1.5 kg/h

71 813 13 103.20

M20 x 1.5 M x compr. fit. 8 50 mbar 1.5 kg/h

71 815 11 103.20

Caramatic DriveOne without wall bracket

horizontal installation

straight inlet

for LPG tank with 90° tank panel

Komb.A x compr. fit. 10 30 mbar 1.5 kg/h

71 813 34 103.20

for LPG tank with 105° tank panel

Komb.A x compr. fit. 10 30 mbar 1.5 kg/h

71 813 35 103.20

Accessories

Caramatic ConnectClean 2.0 M20 x 1.5 M x M20 x 1.5 nut / cont. 1 unit

71 781 03 31.62

90° elbow M20 x 1.5 M x M20 x 1.5 nut

71 509 00 15.80

Fitting pipe socket 8 x compr. fit. 10

62 082 00 6.82

Fitting pipe socket 10 x compr. fit. 8

67 223 00 5.39

Caramatic TwoControl with Eis-Ex regulator heating

71 300 20 103.20

Eis-Ex regulator heating, connection cable 2 m

71 390 20 41.10



Gas supply while driving



-30 °C

Caramatic ConnectDrive

Part no.

€ / 1 pc.

high pressure hose assembly with excess flow device for connection to all wall-mounted low pressure regulators with inlet M20 x 1.5 M, in particular for gas supply while driving and to the gas cylinder valve

Advantages and equipment

- can be used all over Europe through the use of high pressure hose assemblies with country-specific connections
- excess flow device prevents gas escape in case of damage or if the hose assembly becomes detached, and blocks the gas flow, as soon as the nominal flow rate is exceeded by 10%
- **manual excess flow valve SBS/MA:**
no delay or leakage volume, but manual opening required

Conformity

- single fittings with DIN-DVGW and/or DVGW [German Association of Gas and Water] type test certificate

Technical data

- hose: **rubber with textile lining**
- cold resistant up to -30 °C

Note

- The 750 mm long hose assembly may only be used for cylinder brackets with a pull-out device.

Shop packaging

Caramatic ConnectDrive PS 30 bar hose dimensions 6.3 x 5.0 mm

connections: cylinder connection x regulator connection

G.12 (KLF)	x	M20 x 1.5 nut	x	450 mm	DE / AT / PL	71 884 12	40.70
G.12 (KLF)	x	M20 x 1.5 nut	x	750 mm	DE / AT / PL	71 887 12	42.60
G.7 (Brit.POL)	x	M20 x 1.5 nut	x	450 mm	GB propane	71 884 07	40.70
G.7 (Brit.POL)	x	M20 x 1.5 nut	x	750 mm	GB propane	71 887 07	42.60
G.8 (EU-Shell)	x	M20 x 1.5 nut	x	450 mm	GB butane	71 884 08	40.70
G.8 (EU-Shell)	x	M20 x 1.5 nut	x	750 mm	GB butane	71 887 08	42.60
G.1 (Ital.A)	x	M20 x 1.5 nut	x	450 mm	IT / GR / CY	71 884 01	40.70
G.1 (Ital.A)	x	M20 x 1.5 nut	x	750 mm	IT / GR / CY	71 887 01	42.60
G.10 (POL-WS)	x	M20 x 1.5 nut	x	450 mm	SE	71 884 10	40.70
G.10 (POL-WS)	x	M20 x 1.5 nut	x	750 mm	SE	71 887 10	42.60
G.2 (Shell-F)	x	M20 x 1.5 nut	x	450 mm	CH / BE	71 884 03	40.70
G.2 (Shell-F)	x	M20 x 1.5 nut	x	750 mm	CH / BE	71 887 03	42.60
X.3 (Komb.Shell-H)	x	M20 x 1.5 nut	x	450 mm	NL / RU	71 884 23	40.70
X.3 (Komb.Shell-H)	x	M20 x 1.5 nut	x	750 mm	NL / RU	71 887 23	42.60
X.7 (Shell)	x	M20 x 1.5 nut	x	450 mm	SI / CZ / HR / SK / RS	71 884 27	40.70
X.7 (Shell)	x	M20 x 1.5 nut	x	750 mm	SI / CZ / HR / SK / RS	71 887 27	42.60

Caramatic ConnectDrive PS 20 bar

hose dimensions 6.6 x 4.0 mm

connections: cylinder connection x regulator connection

G.2 (Shell-F)	x	M20 x 1.5 nut	x	450 mm	FR	71 884 02	40.70
G.2 (Shell-F)	x	M20 x 1.5 nut	x	750 mm	FR	71 887 02	42.60

Spare Part

Gasket for EU-Shell / Shell-F, material: NBR	20 009 81	0.80
Gasket for Ital.A, material: NBR	20 011 05	0.80
Gasket for M20 x 1.5 nut, material: FKM	04 590 25	0.80
Gasket for POL-WF / POL-WS, material: NBR	02 513 37	0.80
Gasket for KLF, material: NBR / cont. 5 units	80 016 00	5.60
Gasket for EU-Shell / Shell-F, material: NBR / cont. 5 units	80 009 00	5.60



Gas supply while driving



Caramatic ConnectClean 2.0 type FA 99

Part no. € / 1 pc.

gas filter prevents contamination in the LPG installation
Protects the pressure regulator and the automatic changeover valve against contamination from oily aerosols and evaporation residues.

Advantages and equipment

- shortened filter cap - useful for space limited installations
- for all wall-mounted pressure regulators and automatic changeover valves
- high degree of separation of 99%
- with filter cartridge 2.0. Only the filter element has to be replaced. The supporting core can still be used.

Technical data

- maximum admissible pressure: PS 25 bar

Shop packaging

Caramatic ConnectClean 2.0 type FA 99

cont. 1 unit

M20 x 1.5 M x M20 x 1.5 nut

71 781 03 31.62

cont. 2 units

M20 x 1.5 M x M20 x 1.5 nut

71 781 04 48.44

Spare Part

Filter cartridge 2.0, consisting of 1 x filter element and 1 x supporting core

71 781 60 8.32

Filter cartridge 2.0, consisting of 2 x filter elements and 2 x supporting cores

71 781 70 14.01

Filter element 2.0 without supporting core / cont. 2 units

71 781 90 10.80

Accessories

90° elbow M20 x 1.5 M x M20 x 1.5 nut

71 509 00 15.80

Additional fixing bracket for Caramatic ConnectClean 2.0

71 781 81 5.00

Filter cartridge 2.0

Part no. € / 1 pc.



Replacement cartridge for Caramatic ConnectClean gas filter or for the Truma gas filter type AS99 until year of construction 02/2019

consisting of: filter element and supporting core

Advantages and equipment

- affordable and sustainable, as only the filter element has to be replaced, the supporting core can still be used
- high degree of separation of 99,9 percent protects the system against oil contamination and dust particles remain in the filter

Technical data

- material: filter element: glass microfibre
supporting core: PA 6-GF20

Shop packaging

Filter cartridge 2.0

for Caramatic ConnectClean gas filter

filter element and supporting core Cont. 1 unit

71 781 60 8.32

filter element and supporting core Cont. 2 units

71 781 70 14.01


Spare Part

Filter element 2.0 without supporting core / cont. 2 units

71 781 90 10.80

Gas supply while driving



Caramatic DriveTwo Commercial Set	Part no.	€ / 1 pc.
<p>safety gas pressure regulation device with automatic changeover valve for the operation of two-cylinder systems in caravans and motor caravans during the journey, for connection to gas cylinders with high pressure hose assemblies to regulate the pressure to the nominal pressure of the gas equipment for commercial use</p>		
<p>consisting of: 2 x Caramatic ConnectDrive (length: 450 mm), 2 x Caramatic Connect-Clean 2.0, Caramatic SwitchTwo, low pressure regulator with over-pressure safety device S2SR, mechanical crash sensor new with pendulum, test point and wall bracket</p>		
<p>Advantages and equipment</p> <ul style="list-style-type: none"> • includes all components for start-up a two-cylinder system suitable for gas supply while driving • gas supply while driving using the integrated mechanical crash sensor new with pendulum, which blocks the gas flow in case of an accident • Advantages crash sensor new with pendulum: <ul style="list-style-type: none"> • faster and easier start-up and reset after response • more precise performance and therefore less interference from incorrect response behaviour • start-up possible with no problem, even if the leisure vehicle is in an inclined position • automatic changeover to the gas cylinder on the reserve side as soon as the gas cylinder on the operating side is empty • the cylinder can be replaced without operational interruption • gas non-return valve: prevents the escape of gas when the cylinder is replaced • even gas supply through the optimum use of the gas cylinder content • displays which gas cylinder gas is being taken from • test point for leak testing the LPG system without disassembling the pressure regulating device • includes all required components for commercial use • suitable for connection of an Eis-Ex, e.g. Caramatic TwoControl • suitable for connection of a remote display, e.g. Caramatic TwoControl • by default, the version with compression fitting 10 / 8 at the outlet is fitted with an adapter to connect 8 mm piping 		
<p>Conformity</p> <ul style="list-style-type: none"> • single fittings with DIN-DVGW and/or DVGW [German Association of Gas and Water] type test certificate or EU type examination certificate PED • single fittings with DIN-DVGW and/or DVGW [German Association of Gas and Water] type test certificate or EU type examination certificate GGV 		
<p>Technical data</p> <ul style="list-style-type: none"> • maximum permissible pressure: PS 16 bar 		
<p>Note</p> <ul style="list-style-type: none"> • Fulfils the requirements of DGUV Regulation 110-010 (German statutory accident insurance, previously DGUV Regulation 79) and is suitable for use in commercially used caravans and motor caravans! 		
<p>Caramatic DriveTwo Commercial Set vertical installation straight inlet</p>		
<p>KLF x compr. fit. 10 / 8 1.5 kg/h</p>	05 067 00	512.20
<p>Shop packaging </p>		
<p>Spare Part</p>		
<p>Filter cartridge 2.0, consisting of 2 x filter elements and 2 x supporting cores</p>	71 781 70	14.01
<p>Filter element 2.0 without supporting core / cont. 2 units</p>	71 781 90	10.80
<p>Sealing nut with fastening clip M20 x 1.5 nut</p>	71 509 30	7.40
<p>Accessories</p>		
<p>Caramatic TwoControl with transmitter for remote display and Eis-Ex regulator heating</p>	71 300 00	137.50
<p>Caramatic TwoControl with Eis-Ex regulator heating</p>	71 300 20	103.20
<p>Eis-Ex regulator heating, connection cable 2 m</p>	71 390 20	41.10

Gas supply while driving



Caramatic DriveOne Commercial Set	Part no.	€ / 1 pc.
<p>safety gas pressure regulation device for operating single-cylinder systems in caravans and motor caravans during the journey for commercial use</p> <p>consisting of: Caramatic ConnectDrive (length: 450 mm), Caramatic ConnectClean 2.0, elbow, low pressure regulator with over-pressure safety device S2SR, mechanical crash sensor new with pendulum, test point and wall bracket</p> <p>Advantages and equipment</p> <ul style="list-style-type: none"> • includes all components for start-up a single-cylinder system suitable for gas supply while driving • gas supply while driving using the integrated mechanical crash sensor new with pendulum, which blocks the gas flow in case of an accident • Advantages crash sensor new with pendulum: <ul style="list-style-type: none"> • faster and easier start-up and reset after response • more precise performance and therefore less interference from incorrect response behaviour • start-up possible with no problem, even if the leisure vehicle is in an inclined position • test point for leak testing the LPG system without disassembling the pressure regulating device • includes all required components for commercial use • suitable for connection of an Eis-Ex, e.g. Caramatic TwoControl • by default, the version with compression fitting 10 / 8 at the outlet is fitted with an adapter to connect 8 mm piping <p>Conformity</p> <ul style="list-style-type: none"> • single fittings with DIN-DVGW and/or DVGW [German Association of Gas and Water] type test certificate or EU type examination certificate PED • single fittings with DIN-DVGW and/or DVGW [German Association of Gas and Water] type test certificate or EU type examination certificate GGV <p>Technical data</p> <ul style="list-style-type: none"> • maximum permissible pressure: PS 16 bar <p>Note</p> <ul style="list-style-type: none"> • Fulfils the requirements of DGUV Regulation 110-010 (German statutory accident insurance, previously DGUV Regulation 79) and is suitable for use in commercially used caravans and motor caravans! <p>Caramatic DriveOne Commercial Set vertical installation straight inlet</p> <p>KLF x compr. fit. 10 / 8 30 mbar 1.5 kg/h 05 071 00 289.00</p> <p>KLF x compr. fit. 10 / 8 50 mbar 1.5 kg/h 05 071 01 289.00</p> <p>Shop packaging </p> <p>Spare Part</p> <p>Filter cartridge 2.0, consisting of 1 x filter element and 1 x supporting core 71 781 60 8.32</p> <p>Filter element 2.0 without supporting core / cont. 2 units 71 781 90 10.80</p> <p>Accessories</p> <p>Caramatic TwoControl with Eis-Ex regulator heating 71 300 20 103.20</p> <p>Eis-Ex regulator heating, connection cable 2 m 71 390 20 41.10</p>		

Gas supply while driving



Caramatic TwoControl - Remote display and regulator heating

Part no.

€ / 1 pc.

convenient information and control unit in the leisure vehicle to monitor the operating and reserve cylinder in two-cylinder systems as well as the de-icer regulator heating consisting of: information and control unit including connection cable 6 m, cover frame, transmitter for remote display including connection cable 2 m and de-icer regulator heating including connection cable 2 m

Advantages and equipment

- central control unit to switch on/off the remote display and the Eis-Ex regulator heating
- remote indication of the operating states through an LED
- remote indication of the operating status (normal or reserve operation) of the gas cylinders
- can be easily installed in new systems or retrofitted in existing systems
- can be used with the models of the Caramatic line DriveTwo, ProTwo, SwitchTwo as well as the Truma models DuoControl CS and DuoComfort in silver colour
- connection of all components by using a plug system, no soldering necessary

Conformity

- Conformity assessment procedure according to ATEX
- CE marking according to EMC

Technical data

- supply voltage: 12 V

Shop packaging

Caramatic TwoControl - Remote display and regulator heating

Information and control unit with transmitter for remote display and Eis-Ex regulator heating	71 300 00	137.50
---	-----------	--------

Spare Part

Information and control unit, 6 m connection cable	71 391 20	75.30
Cover frame, colour: anthracite	71 391 00	4.60
Transmitter for remote display, connection cable 2 m	71 390 00	37.40
Eis-Ex regulator heating, connection cable 2 m	71 390 20	41.10



Caramatic TwoControl - Regulator heating

Part no.

€ / 1 pc.

convenient information and control unit of the de-icer regulator heating in the leisure vehicle

consisting of: information and control unit including connection cable 6 m, cover frame and de-icer regulator heating including connection cable 2 m

Advantages and equipment

- central control unit to switch on/off the Eis-Ex regulator heating
- remote indication of the operating states through an LED
- can be easily installed in new systems or retrofitted in existing systems
- can be used with the models of the Caramatic line DriveOne, BasicOne with test point as well as the Truma model MonoControl CS in silver colour
- connection of all components by using a plug system, no soldering necessary

Conformity

- Conformity assessment procedure according to ATEX
- CE marking according to EMC

Technical data

- supply voltage: 12 V

Shop packaging

Caramatic TwoControl - Regulator heating

Information and control unit with Eis-Ex regulator heating	71 300 20	103.20
--	-----------	--------

Spare Part

Information and control unit, 6 m connection cable	71 391 20	75.30
Cover frame, colour: anthracite	71 391 00	4.60
Eis-Ex regulator heating, connection cable 2 m	71 390 20	41.10

Gas supply while driving



Senso4s PLUS level gauge

Part no.

€ / 1 pc.

with app for smartphones and tablets

Digital level gauge for gas cylinders - **e.g. for the use in leisure vehicles or for the gas barbecue**, with Bluetooth remote transmission of the measurement and signalling data to a smartphone or tablet.

The level gauge Senso4s PLUS (A) measures the weight of the gas cylinder and transmits this value by Bluetooth to the app (B) which automatically determines the content and provides a consumption forecast.

Advantages and equipment

- simple installation; switch Bluetooth on, place gas cylinder on the adjustable feet of the Senso4s level gauge, measure and read the values in the app
- suitable for common steel, aluminium and plastic gas cylinders with a filling weight up to 16 kg
- Bluetooth connection between Senso4s and the smartphone / tablet
- app menu language in German, English, French, Italian, Spanish and Slovenian
- recording the parameters for the filling and tare weight of the respective gas cylinder
- use of several gas cylinders of different sizes
- after only a short operating time, the app will determine a long-term forecast of the gas consumption
- if there is a Bluetooth connection, the Senso4s PLUS sends the measurement data to the app at an interval of 15 minutes
- battery status display of the level gauge in the app
- thanks to the ATEX certification, Senso4s PLUS can also be used in the gas bottle locker of the leisure vehicle, for example
- Senso4s PLUS is designed specifically for the operation in leisure vehicles - among other things thanks to the movement sensor which interrupts the measurement while driving and thus prevents faulty measurement results

Conformity

- CE marking according to ATEX, EMC and RED

Technical data

- measuring accuracy: $\pm 1 \%$
- protection type: IP44
- supply voltage: 3 type AAA CR03 1,5 V alkaline batteries (not included in the scope of delivery)

Note

- To ensure an error-free measurement, the Senso4s level gauge must be placed on a flat and firm surface.
- The „Senso4s“ app can be downloaded for free in the Apple App Store or in the Google Play Store for your respective operating system.

Shop packaging

Senso4s PLUS level gauge

for gas cylinders

91 902 00

95.26

Gas supply while driving



Connection set

Part no.

€ / 1 pc.

to connect a high pressure hose assembly e.g. Caramatic ConnectDrive via piping with a Caramatic SwitchTwo or Caramatic ProTwo

consisting of: M20 x 1.5 M x compr. fit. 10 (fitting for hose assembly) / M20 x 1.5 F x compr. fit. 10 (fitting for Caramatic SwitchTwo or Caramatic ProTwo)

Shop packaging

Connection set

complete

71 509 20

24.50



Sealing nut

Part no.

€ / 1 pc.

as a safe closure to protect against damage or contamination of the inlet connector of pressure regulators

Useful if the connection between the gas cylinders and fittings is disconnected or the gas system is at a standstill for a long period of time.

Advantages and equipment

- with fastening clip
- suitable for automatic changeover valve type AUV or AUV-ND and Caramatic DriveTwo, Caramatic ProTwo and Caramatic SwitchTwo

Technical data

- material: sealing nut: brass
gasket: NBR
fastening clip: NBR
- thread: M20 x 1.5 nut

Note

- The pressure regulator is not included in the scope of delivery!

Shop packaging

Sealing nut

complete

71 509 30

7.40



90° elbow

Part no.

€ / 1 pc.

to connect high pressure hose assemblies to a low pressure regulator or to combine pressure regulators with automatic changeover valves

Shop packaging

90° elbow

M20 x 1.5 M x M20 x 1.5 nut

71 509 00

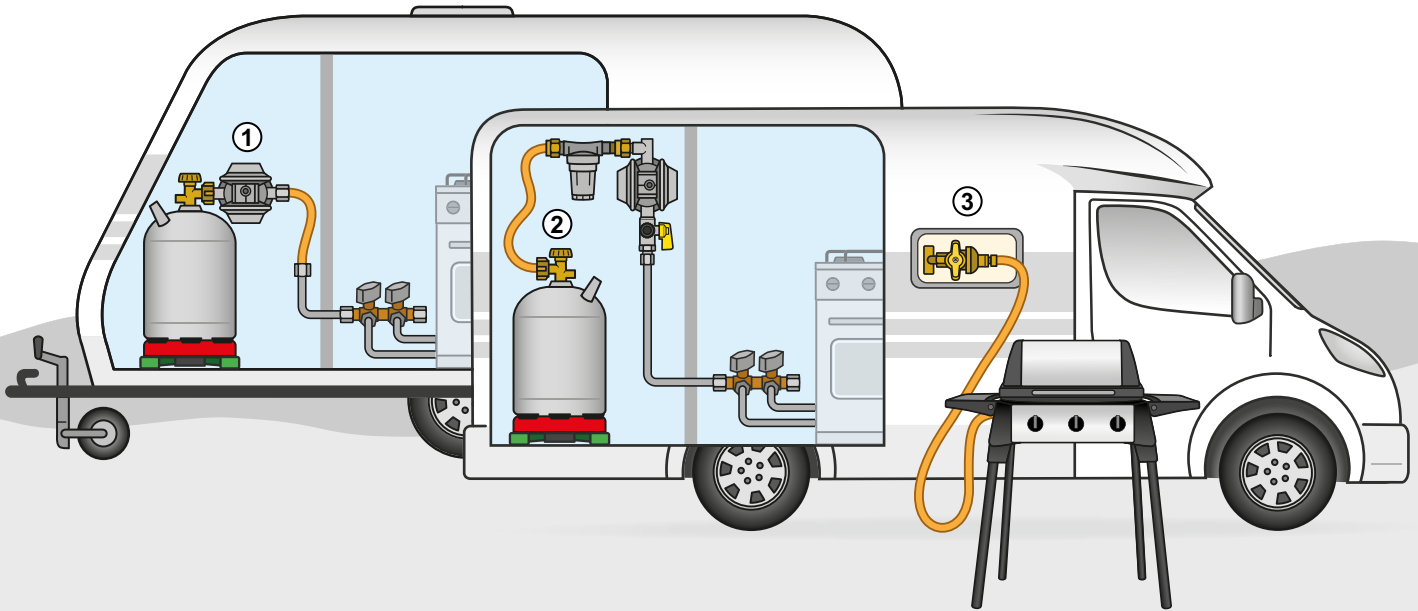
15.80

Accessories

Gasket for M20 x 1.5 nut, material: FKM

04 590 25

0.80



Caravan and motor caravan

Application example ①

The presented connection solution for caravans and motor caravans is the classic method of connecting a gas cylinder to the supply line of the vehicle.

The low pressure regulator is connected directly to the gas cylinder. The medium pressure hose assembly creates the connection to the vehicle's supply line.

Application example ②

To simplify travelling through Europe with its different cylinder connections, we recommend a low pressure regulator with wall bracket.

The connection to the gas cylinder is made with the suitable country-specific high pressure hose assembly without the low pressure regulator having to be replaced.

Between the hose assembly and the low pressure regulator is a gas filter, which protects the connected fittings and devices from contamination.

Application example ③

With a Variant outlet box, gas equipment, such as barbecues and stoves, outside the vehicle can also be supplied via the internal LPG installation.

The connection to the gas equipment is made with a medium pressure hose assembly and a quick coupler on the vehicle. The vehicle owner no longer needs to carry any additional gas cylinders.

Caravan and motor caravan



Caramatic ProTwo-Set

Part no.

€ / 1 pc.

automatic changeover valve with integrated low pressure regulator for two-cylinder systems, for connection to gas cylinders with high pressure hose assemblies, to regulate the pressure to the nominal pressure of the gas equipment

consisting of: 2 x Caramatic ConnectBasic (length: 450 mm), 2 x Caramatic Connect-Clean 2.0 with fixing bracket, automatic changeover valve, low pressure regulator with pressure relief valve PRV, control knob, operation and reserve display, gas non-return valve, test point and wall bracket

Advantages and equipment

- includes all components for start-up a two-cylinder system
- automatic changeover to the gas cylinder on the reserve side as soon as the gas cylinder on the operating side is empty
- the cylinder can be replaced without operational interruption
- gas non-return valve: prevents the escape of gas when the cylinder is replaced
- even gas supply through the optimum use of the gas cylinder content
- displays which gas cylinder gas is being taken from
- test point for leak testing the LPG system without disassembling the pressure regulating device
- suitable for connection of an Eis-Ex, e.g. Caramatic TwoControl
- suitable for connection of a remote display, e.g. Caramatic TwoControl
- by default, the version with compression fitting 10 / 8 at the outlet is fitted with an adapter to connect 8 mm piping

Conformity

- single fittings with EU type examination certificate GGV or PED

Technical data

- maximum permissible pressure: PS 16 bar

Note

- The 71 135 13 version can be used without restriction for LPG systems in older vehicles having an operating pressure of 50 mbar!

Shop packaging

Caramatic ProTwo-Set

KLF	x	compr. fit. 10 / 8	30 mbar	1.5 kg/h	71 133 13	220.00
KLF	x	compr. fit. 8	50 mbar	1.5 kg/h	71 135 13	220.00

Spare Part

Filter cartridge 2.0, consisting of 2 x filter elements and 2 x supporting cores	71 781 70	14.01
Filter element 2.0 without supporting core / cont. 2 units	71 781 90	10.80
High pressure hose assembly rubber PS 30 bar, hose dimensions 6.3 x 5.0 mm	71 684 12	20.80
KLF x M20 x 1.5 nut x 450 mm DE / AT / PL		
Sealing nut with fastening clip M20 x 1.5 nut	71 509 30	7.40

Accessories

Connection set M20 x 1.5 M x compr. fit. 10 / M20 x 1.5 F x compr. fit. 10	71 509 20	24.50
Caramatic TwoControl with transmitter for remote display and Eis-Ex regulator heating	71 300 00	137.50
Caramatic TwoControl with Eis-Ex regulator heating	71 300 20	103.20
Eis-Ex regulator heating, connection cable 2 m	71 390 20	41.10

Caravan and motor caravan



Caramatic ProTwo

Part no.

€ / 1 pc.

automatic changeover valve with integrated low pressure regulator for two-cylinder systems, for connection to gas cylinders with high pressure hose assemblies, to regulate the pressure to the nominal pressure of the gas equipment

consisting of: automatic changeover valve, low pressure regulator with pressure relief valve PRV, control knob, operation and reserve display, gas non-return valve, test point and wall bracket

Advantages and equipment

- automatic changeover to the gas cylinder on the reserve side as soon as the gas cylinder on the operating side is empty
- the cylinder can be replaced without operational interruption
- gas non-return valve: prevents the escape of gas when the cylinder is replaced
- even gas supply through the optimum use of the gas cylinder content
- displays which gas cylinder gas is being taken from
- can be used all over Europe through the use of country-specific high pressure hose assemblies (not included in delivery)
- test point for leak testing the LPG system without disassembling the pressure regulating device
- suitable for connection of an Eis-Ex, e.g. Caramatic TwoControl
- suitable for connection of a remote display, e.g. Caramatic TwoControl
- by default, the version with compression fitting 10 / 8 at the outlet is fitted with an adapter to connect 8 mm piping

Conformity

- EC type examination certificate PED
- EC type examination certificate GAR
- UKCA type examination certificate GAR

Technical data

- maximum permissible pressure: PS 16 bar

Note

- The 71 925 13 version can be used without restriction for LPG systems in older vehicles having an operating pressure of 50 mbar!
- The gas filter Caramatic ConnectClean 2.0 (part no. 71 781 04 / cont. 2 units) is recommended to protect the LPG system in the vehicle from oily aerosols and evaporation residue!

Shop packaging 

Caramatic ProTwo

cont. 1 unit

2 x M20 x 1.5 M x compr. fit. 10 / 8 30 mbar 1.5 kg/h	71 923 13	125.90
2 x M20 x 1.5 M x compr. fit. 8 50 mbar 1.5 kg/h	71 925 13	125.90

Spare Part


Sealing nut with fastening clip M20 x 1.5 nut	71 509 30	7.40
---	-----------	------

Accessories

Caramatic ConnectClean 2.0 M20 x 1.5 M x M20 x 1.5 nut / cont. 2 units	71 781 04	48.44
90° elbow M20 x 1.5 M x M20 x 1.5 nut	71 509 00	15.80
Connection set M20 x 1.5 M x compr. fit. 10 / M20 x 1.5 F x compr. fit. 10	71 509 20	24.50
Fitting pipe socket 8 x compr. fit. 10	62 082 00	6.82
Fitting pipe socket 10 x compr. fit. 8	67 223 00	5.39
Caramatic TwoControl with transmitter for remote display and Eis-Ex regulator heating	71 300 00	137.50
Caramatic TwoControl with Eis-Ex regulator heating	71 300 20	103.20
Eis-Ex regulator heating, connection cable 2 m	71 390 20	41.10

Caravan and motor caravan



Caramatic SwitchTwo	Part no.	€ / 1 pc.
<p>automatic changeover valve for two-cylinder systems, for connection to gas cylinders with high pressure hose assemblies</p> <p>consisting of: automatic changeover valve, control knob, operation and reserve display, gas non-return valve and wall bracket</p> <p>Advantages and equipment</p> <ul style="list-style-type: none"> • automatic changeover to the gas cylinder on the reserve side as soon as the gas cylinder on the operating side is empty • the cylinder can be replaced without operational interruption • gas non-return valve: prevents the escape of gas when the cylinder is replaced • even gas supply through the optimum use of the gas cylinder content • displays which gas cylinder gas is being taken from • can be used all over Europe through the use of country-specific high pressure hose assemblies (not included in delivery) • makes it possible to convert a one-cylinder system to a two-cylinder system • suitable for connection of an Eis-Ex, e.g. Caramatic TwoControl • suitable for connection of a remote display, e.g. Caramatic TwoControl <p>Conformity</p> <ul style="list-style-type: none"> • EC type examination certificate PED • EC type examination certificate GAR • UKCA type examination certificate GAR <p>Technical data</p> <ul style="list-style-type: none"> • maximum permissible pressure: PS 16 bar <p>Note</p> <ul style="list-style-type: none"> • A downstream pressure regulator with outlet pressure of 30 or 50 mbar is required to operate the LPG system, for example type EN61, EN71 or EN61-DS (not included in delivery). • The gas filter Caramatic ConnectClean 2.0 (part no. 71 781 04 / cont. 2 units) is recommended to protect the LPG system in the vehicle from oily aerosols and evaporation residue! 		
<p>Shop packaging </p>		
<p>Caramatic SwitchTwo 2 x M20 x 1.5 M x M20 x 1.5 nut 0.75 bar 1.5 kg/h</p>	71 828 46	80.30
<p>Spare Part Sealing nut with fastening clip M20 x 1.5 nut</p>	71 509 30	7.40
<p>Accessories</p> <p>Caramatic ConnectClean 2.0 M20 x 1.5 M x M20 x 1.5 nut / cont. 2 units 71 781 04 48.44</p> <p>90° elbow M20 x 1.5 M x M20 x 1.5 nut 71 509 00 15.80</p> <p>Connection set M20 x 1.5 M x compr. fit. 10 / M20 x 1.5 F x compr. fit. 10 71 509 20 24.50</p> <p>Adapter M20 x 1.5 M x KLF M 71 508 00 14.20</p> <p>Adapter M20 x 1.5 M x POL F 71 508 05 14.20</p> <p>Adapter M20 x 1.5 M x W20 x 1/14 lh M 71 508 06 14.20</p> <p>Adapter M20 x 1.5 M x Shell-F M 71 508 04 14.20</p> <p>Caramatic TwoControl with transmitter for remote display and Eis-Ex regulator heating 71 300 00 137.50</p> <p>Caramatic TwoControl with Eis-Ex regulator heating 71 300 20 103.20</p> <p>Eis-Ex regulator heating, connection cable 2 m 71 390 20 41.10</p>		

Caravan and motor caravan



Caramatic BasicOne

Part no.

€ / 1 pc.

for connection to gas cylinders with a high pressure hose assembly to regulate the pressure to the nominal pressure of the gas equipment

consisting of: low pressure regulator with integrated safety device against overpressure and wall bracket

Advantages and equipment

- compression fitting with coupling nut type M and olive type D-MS
- version with test point for leak testing the LPG system without disassembling the pressure regulating device
- version with test point suitable for connection of an Eis-Ex, e.g. Caramatic TwoControl
- version with pressure gauge for leak testing e.g. when the cylinder is replaced

Conformity

- EC type examination certificate PED (EN 16129, annex D)
- EC type examination certificate GGV [ordinance on building land registries] (EN 16129, annex D)
- UKCA type examination certificate GGV [ordinance on building land registries] (EN 16129, annex D)

Technical data

- maximum permissible pressure: PS 16 bar

Note

- The nominal flows of all the devices must be added together to choose the right capacity stage.
- The gas filter Caramatic ConnectClean 2.0 (part no. 71 781 03) is recommended to protect the LPG system in the vehicle from oily aerosols and evaporation residue!
- Version type EN61-DS fulfils the requirements of DGUV Regulation 110-010 (German statutory accident insurance, previously DGUV Regulation 79) and is suitable for use in commercially used caravans and motor caravans!

Caramatic BasicOne with test point

capacity stage 3, type EN61-DS with overpressure safety device S2SR

90° inlet

without pressure gauge

M20 x 1.5 M x compr. fit. 8 30 mbar 1.5 kg/h

01 294 71

58.50

M20 x 1.5 M x compr. fit. 10 30 mbar 1.5 kg/h

01 294 76

58.50

Caramatic BasicOne without test point

capacity stage 2, type EN71 with safety pressure relief valve PRV

straight inlet

without pressure gauge

M20 x 1.5 M x compr. fit. 8 30 mbar 1.2 kg/h

01 287 00

29.10

M20 x 1.5 M x compr. fit. 10 30 mbar 1.2 kg/h

01 287 10

29.10

capacity stage 3, type EN61-DS with overpressure safety device S2SR

straight inlet

with pressure gauge

M20 x 1.5 M x compr. fit. 10 30 mbar 1.5 kg/h

01 291 32

55.50

without pressure gauge

M20 x 1.5 M x compr. fit. 8 30 mbar 1.5 kg/h

01 291 02

44.60

M20 x 1.5 M x compr. fit. 10 30 mbar 1.5 kg/h

01 291 12

44.60

Accessories


Gasket for M20 x 1.5 nut, material: FKM

04 590 25


0.80



Caravan and motor caravan

Caramatic BasicOne	Part no.	€ / 1 pc.
Shop packaging 		
Caramatic BasicOne with test point		
capacity stage 3, type EN61-DS with overpressure safety device S2SR		
90° inlet		
without pressure gauge		
M20 x 1.5 M x compr. fit. 8 30 mbar 1.5 kg/h	61 294 02	61.10
M20 x 1.5 M x compr. fit. 10 30 mbar 1.5 kg/h	61 294 03	61.10
Caramatic BasicOne without test point		
capacity stage 2, type EN71 with safety pressure relief valve PRV		
straight inlet		
without pressure gauge		
M20 x 1.5 M x compr. fit. 8 30 mbar 1.2 kg/h	61 287 05	31.70
M20 x 1.5 M x compr. fit. 10 30 mbar 1.2 kg/h	61 287 06	31.70
capacity stage 3, type EN61-DS with overpressure safety device S2SR		
straight inlet		
with pressure gauge		
M20 x 1.5 M x compr. fit. 10 30 mbar 1.5 kg/h	61 291 03	58.10
without pressure gauge		
M20 x 1.5 M x compr. fit. 8 30 mbar 1.5 kg/h	61 291 01	47.20
M20 x 1.5 M x compr. fit. 10 30 mbar 1.5 kg/h	61 291 02	47.20
Accessories		
Caramatic ConnectClean 2.0 M20 x 1.5 M x M20 x 1.5 nut / cont. 1 unit	71 781 03	31.62
90° elbow M20 x 1.5 M x M20 x 1.5 nut	71 509 00	15.80



Fitting	Part no.	€ / 1 pc.
for the connection of a low pressure regulator type EN61, EN61-DS or EN71 to the Caramatic SwitchTwo		
Shop packaging 		
Fitting		
M20 x 1.5 M x KLF M	71 508 00	14.20
M20 x 1.5 M x POL F	71 508 05	14.20
M20 x 1.5 M x W20 M x 1/14 g M	71 508 06	14.20
M20 x 1.5 M x Shell-F M	71 508 04	14.20
Accessories		
Adapter coupling nut x pipe socket 8	64 047 00	4.76
Straight compression fitting type G compr. fit. 8 x compr. fit. 8	67 702 00	4.25
Straight reducing compression fitting type GR compr. fit. 10 x compr. fit. 8	67 727 00	6.02

Caravan and motor caravan



-30 °C

Caramatic ConnectBasic

Part no.

€ / 1 pc.

to connect the gas cylinder and regulator

Advantages and equipment

- can be used all over Europe through the use of high pressure hose assemblies with country-specific connections

Conformity

- version: PS 30 bar: DVGW [German Association of Gas and Water] type test certificate
PS 20 bar: NF approved

Technical data

- hose: **rubber with textile lining**
- cold resistant up to -30 °C

Note

- Our hose assemblies are supplied with a tag and notice of the year of replacement.
- The 750 mm long hose assembly may only be used for cylinder brackets with a pull-out device.

Shop packaging

Caramatic ConnectBasic PS 30 bar

hose dimensions 6.3 x 5.0 mm

connections: cylinder connection x regulator connection

G.12 (KLF)	x	M20 x 1.5 nut	x	450 mm	DE / AT / PL	71 684 12	20.80
G.12 (KLF)	x	M20 x 1.5 nut	x	750 mm	DE / AT / PL	71 687 12	22.80
G.7 (Brit.POL)	x	M20 x 1.5 nut	x	450 mm	GB propane	71 684 07	20.80
G.7 (Brit.POL)	x	M20 x 1.5 nut	x	750 mm	GB propane	71 687 07	22.80
G.8 (EU-Shell)	x	M20 x 1.5 nut	x	450 mm	GB butane	71 684 08	20.80
G.8 (EU-Shell)	x	M20 x 1.5 nut	x	750 mm	GB butane	71 687 08	22.80
G.1 (Ital.A)	x	M20 x 1.5 nut	x	450 mm	IT / GR / CY	71 684 01	20.80
G.1 (Ital.A)	x	M20 x 1.5 nut	x	750 mm	IT / GR / CY	71 687 01	22.80
G.10 (POL-WS)	x	M20 x 1.5 nut	x	450 mm	SE	71 684 10	20.80
G.10 (POL-WS)	x	M20 x 1.5 nut	x	750 mm	SE	71 687 10	22.80
G.2 (Shell-F)	x	M20 x 1.5 nut	x	450 mm	CH / BE	71 684 03	20.80
G.2 (Shell-F)	x	M20 x 1.5 nut	x	750 mm	CH / BE	71 687 03	22.80
X.3 (Komb.Shell-H)	x	M20 x 1.5 nut	x	450 mm	NL / RU	71 684 23	20.80
X.3 (Komb.Shell-H)	x	M20 x 1.5 nut	x	750 mm	NL / RU	71 687 23	22.80

Caramatic ConnectBasic PS 20 bar

hose dimensions 6.6 x 4.0 mm

connections: cylinder connection x regulator connection

G.2 (Shell-F)	x	M20 x 1.5 nut	x	450 mm	FR	71 684 02	20.80
G.2 (Shell-F)	x	M20 x 1.5 nut	x	750 mm	FR	71 687 02	22.80

Spare Part

Gasket for Komb.A / Komb.Shell-H, material: plastic	20 009 75	0.80
Gasket for EU-Shell / Shell-F, material: NBR	20 009 81	0.80
Gasket for Ital.A, material: NBR	20 011 05	0.80
Gasket for M20 x 1.5 nut, material: FKM	04 590 25	0.80
Gasket for POL-WF / POL-WS, material: NBR	02 513 37	0.80
Gasket for KLF, material: NBR / cont. 5 units	80 016 00	5.60
Gasket for EU-Shell / Shell-F, material: NBR / cont. 5 units	80 009 00	5.60



Caravan and motor caravan



Caramatic ConnectClean 2.0 type FA 99

Part no. € / 1 pc.

gas filter prevents contamination in the LPG installation
Protects the pressure regulator and the automatic changeover valve against contamination from oily aerosols and evaporation residues.

Advantages and equipment

- shortened filter cap - useful for space limited installations
- for all wall-mounted pressure regulators and automatic changeover valves
- high degree of separation of 99%
- with filter cartridge 2.0. Only the filter element has to be replaced. The supporting core can still be used.

Technical data

- maximum admissible pressure: PS 25 bar

Shop packaging

Caramatic ConnectClean 2.0 type FA 99

cont. 1 unit

M20 x 1.5 M x M20 x 1.5 nut

71 781 03 31.62

cont. 2 units

M20 x 1.5 M x M20 x 1.5 nut

71 781 04 48.44

Spare Part

Filter cartridge 2.0, consisting of 1 x filter element and 1 x supporting core

71 781 60 8.32

Filter cartridge 2.0, consisting of 2 x filter elements and 2 x supporting cores

71 781 70 14.01

Filter element 2.0 without supporting core / cont. 2 units

71 781 90 10.80

Accessories

90° elbow M20 x 1.5 M x M20 x 1.5 nut

71 509 00 15.80

Additional fixing bracket for Caramatic ConnectClean 2.0

71 781 81 5.00

Filter cartridge 2.0

Part no. € / 1 pc.



Replacement cartridge for Caramatic ConnectClean gas filter or for the Truma gas filter type AS99 until year of construction 02/2019

consisting of: filter element and supporting core

Advantages and equipment

- affordable and sustainable, as only the filter element has to be replaced, the supporting core can still be used
- high degree of separation of 99,9 percent protects the system against oil contamination and dust particles remain in the filter

Technical data

- material: filter element: glass microfibre
supporting core: PA 6-GF20

Shop packaging

Filter cartridge 2.0

for Caramatic ConnectClean gas filter

filter element and supporting core Cont. 1 unit

71 781 60 8.32

filter element and supporting core Cont. 2 units

71 781 70 14.01

Spare Part

Filter element 2.0 without supporting core / cont. 2 units

71 781 90 10.80

Caravan and motor caravan



Caramatic TwoControl - Remote display and regulator heating

Part no.

€ / 1 pc.

convenient information and control unit in the leisure vehicle to monitor the operating and reserve cylinder in two-cylinder systems as well as the de-icer regulator heating consisting of: information and control unit including connection cable 6 m, cover frame, transmitter for remote display including connection cable 2 m and de-icer regulator heating including connection cable 2 m

Advantages and equipment

- central control unit to switch on/off the remote display and the Eis-Ex regulator heating
- remote indication of the operating states through an LED
- remote indication of the operating status (normal or reserve operation) of the gas cylinders
- can be easily installed in new systems or retrofitted in existing systems
- can be used with the models of the Caramatic line DriveTwo, ProTwo, SwitchTwo as well as the Truma models DuoControl CS and DuoComfort in silver colour
- connection of all components by using a plug system, no soldering necessary

Conformity

- Conformity assessment procedure according to ATEX
- CE marking according to EMC

Technical data

- supply voltage: 12 V

Shop packaging

Caramatic TwoControl - Remote display and regulator heating

Information and control unit with transmitter for remote display and Eis-Ex regulator heating	71 300 00	137.50
Spare Part		
Information and control unit, 6 m connection cable	71 391 20	75.30
Cover frame, colour: anthracite	71 391 00	4.60
Transmitter for remote display, connection cable 2 m	71 390 00	37.40
Eis-Ex regulator heating, connection cable 2 m	71 390 20	41.10

Caravan and motor caravan



Caramatic TwoControl - Regulator heating

Part no.

€/ 1 pc.

convenient information and control unit of the de-icer regulator heating in the leisure vehicle

consisting of: information and control unit including connection cable 6 m, cover frame and de-icer regulator heating including connection cable 2 m

Advantages and equipment

- central control unit to switch on/off the Eis-Ex regulator heating
- remote indication of the operating states through an LED
- can be easily installed in new systems or retrofitted in existing systems
- can be used with the models of the Caramatic line DriveOne, BasicOne with test point as well as the Truma model MonoControl CS in silver colour
- connection of all components by using a plug system, no soldering necessary

Conformity

- Conformity assessment procedure according to ATEX
- CE marking according to EMC

Technical data

- supply voltage: 12 V

Shop packaging 

Caramatic TwoControl - Regulator heating

Information and control unit with Eis-Ex regulator heating

71 300 20

103.20

Spare Part

Information and control unit, 6 m connection cable

71 391 20

75.30

Cover frame, colour: anthracite

71 391 00

4.60

Eis-Ex regulator heating, connection cable 2 m

71 390 20

41.10

Caravan and motor caravan



Senso4s PLUS level gauge

Part no.

€ / 1 pc.

with app for smartphones and tablets

Digital level gauge for gas cylinders - **e.g. for the use in leisure vehicles or for the gas barbecue**, with Bluetooth remote transmission of the measurement and signalling data to a smartphone or tablet.

The level gauge Senso4s PLUS (A) measures the weight of the gas cylinder and transmits this value by Bluetooth to the app (B) which automatically determines the content and provides a consumption forecast.

Advantages and equipment

- simple installation; switch Bluetooth on, place gas cylinder on the adjustable feet of the Senso4s level gauge, measure and read the values in the app
- suitable for common steel, aluminium and plastic gas cylinders with a filling weight up to 16 kg
- Bluetooth connection between Senso4s and the smartphone / tablet
- app menu language in German, English, French, Italian, Spanish and Slovenian
- recording the parameters for the filling and tare weight of the respective gas cylinder
- use of several gas cylinders of different sizes
- after only a short operating time, the app will determine a long-term forecast of the gas consumption
- if there is a Bluetooth connection, the Senso4s PLUS sends the measurement data to the app at an interval of 15 minutes
- battery status display of the level gauge in the app
- thanks to the ATEX certification, Senso4s PLUS can also be used in the gas bottle locker of the leisure vehicle, for example
- Senso4s PLUS is designed specifically for the operation in leisure vehicles - among other things thanks to the movement sensor which interrupts the measurement while driving and thus prevents faulty measurement results

Conformity

- CE marking according to ATEX, EMC and RED

Technical data

- measuring accuracy: ± 1 %
- protection type: IP44
- supply voltage: 3 type AAA CR03 1,5 V alkaline batteries (not included in the scope of delivery)

Note

- To ensure an error-free measurement, the Senso4s level gauge must be placed on a flat and firm surface.
- The „Senso4s“ app can be downloaded for free in the Apple App Store or in the Google Play Store for your respective operating system.

Shop packaging

Senso4s PLUS level gauge

for gas cylinders

91 902 00

95.26

Caravan and motor caravan

Manual changeover valve type MUV

Part no.

€/ 1 pc.

for manual changeover with two-cylinder systems

Advantages and equipment

- withdrawal takes place on an alternating basis
- the cylinder can be replaced without operational interruption

Conformity

- EC type examination certificate GAR

Technical data

- maximum admissible pressure: PS 25 bar
- material: brass

Manual changeover valve type MUV

for installation in piping

with coupling nut type M and olive type D

compr. fit. 8 x compr. fit. 8 x compr. fit. 8

compr. fit. 10 x compr. fit. 10 x compr. fit. 10

02 714 35

46.08

02 714 36

49.66

for installation upstream from the wall-mounted low pressure regulator

M20 x 1.5 M x M20 x 1.5 nut x M20 x 1.5 M

02 714 03

48.12

Accessories

Gasket for M20 x 1.5 nut, material: FKM

04 590 25

0.80

Installation set to mount the manual changeover valve type MUV on the wall for low pressure regulators type EN61-DS, EN71, FL90-4 and FL91-4

02 714 28

6.62

Shop packaging

Manual changeover valve type MUV

for installation in piping

with coupling nut type M and olive type D

compr. fit. 8 x compr. fit. 8 x compr. fit. 8

compr. fit. 10 x compr. fit. 10 x compr. fit. 10

62 714 02

48.68

62 714 03

52.26

for installation upstream from the wall-mounted low pressure regulator

M20 x 1.5 M x M20 x 1.5 nut x M20 x 1.5 M

62 714 06

50.72

Accessories

Installation set to mount the manual changeover valve type MUV on the wall for low pressure regulators type EN61-DS, EN71, FL90-4 and FL91-4

62 714 28

8.22

Adapter M20 x 1.5 M x KLF M

71 508 00

14.20

Adapter M20 x 1.5 M x POL F

71 508 05

14.20

Adapter M20 x 1.5 M x W20 x 1/14 lh M

71 508 06

14.20

Adapter M20 x 1.5 M x Shell-F M

71 508 04

14.20



Caravan and motor caravan

Information about using low pressure regulators for caravans

In the German DVGW worksheet G 607 for LPG systems in occupied leisure vehicles and for living purposes in other road vehicles, it is prescribed in the chapter for operation and testing that pressure regulators are to be replaced 10 years after the date of manufacture at the latest. If the working pressure of the system is 30 mbar, pursuant to G 607, a regulator according to EN 16129, annex D (e.g. part no. 01 280 10) is to be used in the event of a replacement. For LPG systems in vehicles with a working pressure of 50 mbar, a non-compliance permit applies. There is no obligation to convert to 30 mbar.

Caramatic BasicTwo

Part no.

€ / 1 pc.



automatic regulator changeover, for connection to gas cylinders to regulate the pressure to the nominal pressure of the gas equipment

consisting of: central (A) and changeover regulator (B), pressure gauge and hose assemblies

Advantages and equipment

- with pressure relief valve PRV
- corrosion resistant in accordance with EN 16129, annex M
- fitted with an adapter to connect 10 mm piping
- gas non-return valve: prevents the escape of gas when the cylinder is replaced
- medium pressure hose assembly (rubber with textile lining; cold resistant up to -30 °C; hose dimensions 6.3 x 3.5 mm) G 3/8 lh nut x G 3/8 lh nut x 400 mm to connect the two regulators, brass connections, stainless steel compressive sleeves
- medium pressure hose assembly (rubber with textile lining; cold resistant up to -30 °C; hose dimensions 6.3 x 3.5 mm) G 1/4 lh nut x compr. fit. 8 x 400 mm to connect the system to the piping, brass connections, stainless steel compressive sleeves
- suitable for connection of the remote display Caramatic BasicControl
- combined fitting for optional connection to 5, 11 or 33 kg gas cylinders
- including MiniTool to connect and disconnect regulators

Conformity

- single fittings with DIN-DVGW and/or DVGW [German Association of Gas and Water] type test certificate or EU type examination certificate PED

Technical data

- maximum permissible pressure: PS 16 bar
- connections: inlet: Komb.W
outlet: central regulator: G 1/4 lh M
changeover regulator: G 3/8 lh M
- outlet pressure: central regulator: 30 or 50 mbar
changeover regulator: 150 mbar

Shop packaging

Caramatic BasicTwo

30 mbar 1.5 kg/h	71 218 02	131.00
50 mbar 1.5 kg/h	71 218 01	131.00

Accessories

medium pressure hose assembly rubber PS 10 bar, hose dimensions 6.3 x 3.5 mm, G 1/4 lh nut x compr. fit. 8 x 400 mm, brass parts	04 440 01	12.38
medium pressure hose assembly rubber PS 10 bar, hose dimensions 6.3 x 3.5 mm, G 3/8 lh nut x G 3/8 lh nut x 400 mm, brass parts	04 504 01	14.94
medium pressure hose assembly rubber PS 10 bar, hose dimensions 6.3 x 3.5 mm, G 1/4 lh nut x compr. fit. 8 x 400 mm, brass parts	64 440 02	14.98
medium pressure hose assembly rubber PS 10 bar, hose dimensions 6.3 x 3.5 mm, G 3/8 lh nut x G 3/8 lh nut x 400 mm, brass parts	64 504 01	17.54
Caramatic BasicControl - Remote display for Caramatic BasicTwo two-cylinder system or Caramatic SafeDrive PLUS	71 392 00	134.20

Caravan and motor caravan



Caramatic BasicControl

Part no.

€/ 1 pc.

Remote display for Caramatic BasicTwo two-cylinder system or Caramatic SafeDrive PLUS

Convenient information and control unit for monitoring of the operating and reserve cylinders of the two-cylinder system Caramatic BasicTwo for motor caravans, caravans and boats or the Caramatic SafeDrive PLUS for motor caravans and caravans.

consisting of: information and control unit including connection cable 6 m, cover frame, pressure and reed sensor for remote display with connection cable 2 m

Advantages and equipment

- remote indication of the operating status (normal or reserve operation) of the gas cylinders
- Always know whether and, if so, which of the two gas cylinders is empty and needs to be changed
- can be easily installed in new systems or retrofitted in existing systems
- can be used with the two-cylinder system Caramatic BasicTwo or Caramatic SafeDrive PLUS
- connection of all components by using a plug system, no soldering necessary

Conformity

- CE marking according to ATEX and EMC

Technical data

- supply voltage: 12 V

Shop packaging

Caramatic BasicControl

Remote display for Caramatic BasicTwo two-cylinder system or SafeDrive PLUS

Information and control unit with pressure and reed sensor for remote display

71 392 00

134.20

Spare Part

Cover frame, colour: anthracite

71 391 00

4.60

Accessories

Extension cable 10 m

71 392 01

15.04

Caravan and motor caravan



Caramatic BasicOne

Part no.

€ / 1 pc.

for connection to gas cylinders to regulate the pressure to the nominal pressure of the gas equipment

consisting of: low pressure regulator with integrated safety device against overpressure

Advantages and equipment

- version with pressure gauge for leak testing e.g. when the cylinder is replaced
- version with extended inlet connector, 90° outlet suitable for VW camper vans with Westfalia fit-out

Conformity

- EC type examination certificate PED (EN 16129, annex D)
- EC type examination certificate GGV [ordinance on building land registries] (EN 16129, annex D)
- UKCA type examination certificate GGV [ordinance on building land registries] (EN 16129, annex D)

Technical data

- maximum permissible pressure: PS 16 bar

Note

- The nominal flows of all the devices must be added together to choose the right capacity stage.
- Version type EN61-DS fulfils the requirements of DGUV Regulation 110-010 (German statutory accident insurance, previously DGUV Regulation 79) and is suitable for use in commercially used caravans and motor caravans!

Caramatic BasicOne

capacity stage 1, type EN61 with safety pressure relief valve PRV straight outlet / with pressure gauge

KLF x G 1/4 lh M 30 mbar 0.8 kg/h

01 280 10

29.30

Shell-F x G 1/4 lh M 30 mbar 0.8 kg/h

01 281 15

31.80

without pressure gauge

KLF x G 1/4 lh M 30 mbar 0.8 kg/h

01 280 00

18.40

Shell-F x G 1/4 lh M 30 mbar 0.8 kg/h

01 281 05

20.90

90° outlet / with pressure gauge

KLF x G 1/4 lh M 30 mbar 0.8 kg/h

01 280 19

37.30

without pressure gauge

KLF x G 1/4 lh M 30 mbar 0.8 kg/h

01 280 09

26.40

Shell-F x G 1/4 lh M 30 mbar 0.8 kg/h

01 280 23

28.90

with extended inlet connector, 90° outlet / without pressure gauge

KLF x G 1/4 lh M 30 mbar 0.8 kg/h

01 280 12

38.20

U-form / without pressure gauge

KLF x G 1/4 lh M 30 mbar 0.8 kg/h

01 280 45

39.80

Shell-F x G 1/4 lh M 30 mbar 0.8 kg/h

01 280 53

42.20

capacity stage 2, type EN71 with safety pressure relief valve PRV straight outlet / with pressure gauge

KLF x G 1/4 lh M 30 mbar 1.2 kg/h

01 285 10

35.90

without pressure gauge

KLF x G 1/4 lh M 30 mbar 1.2 kg/h

01 285 00

25.00

Shell-F x G 1/4 lh M 30 mbar 1.2 kg/h


01 286 05

27.50



Caravan and motor caravan



Caramatic BasicOne	Part no.	€/ 1 pc.
capacity stage 3, type EN61-DS with overpressure safety device S2SR straight outlet / with pressure gauge		
KLF x G 1/4 lh M 30 mbar 1.5 kg/h	01 290 10	53.90
with pressure gauge and visual indicator		
KLF x G 1/4 lh M 30 mbar 1.5 kg/h	01 290 15	58.10
Komb.A x G 1/4 lh M 30 mbar 1.5 kg/h	01 290 16	59.50
without pressure gauge		
KLF x G 1/4 lh M 30 mbar 1.5 kg/h	01 290 00	43.00
Shell-F x G 1/4 lh M 30 mbar 1.5 kg/h	01 293 05	45.50
90° outlet / without pressure gauge		
KLF x G 1/4 lh M 30 mbar 1.5 kg/h	01 290 05	51.00
Shop packaging 		
Caramatic BasicOne		
capacity stage 1, type EN61 with safety pressure relief valve PRV straight outlet / with pressure gauge		
KLF x G 1/4 lh M 30 mbar 0.8 kg/h	61 280 27	31.90
Shell-F x G 1/4 lh M 30 mbar 0.8 kg/h	61 281 00	34.40
without pressure gauge		
KLF x G 1/4 lh M 30 mbar 0.8 kg/h	61 280 00	21.00
Shell-F x G 1/4 lh M 30 mbar 0.8 kg/h	61 281 01	23.50
90° outlet / with pressure gauge		
KLF x G 1/4 lh M 30 mbar 0.8 kg/h	61 280 30	39.90
Shell-F x G 1/4 lh M 30 mbar 0.8 kg/h	61 280 33	42.98
without pressure gauge		
KLF x G 1/4 lh M 30 mbar 0.8 kg/h	61 280 15	29.00
Shell-F x G 1/4 lh M 30 mbar 0.8 kg/h	61 280 32	31.50
with extended inlet connector, 90° outlet / without pressure gauge		
KLF x G 1/4 lh M 30 mbar 0.8 kg/h	61 280 14	40.80
Shell-F x G 1/4 lh M 30 mbar 0.8 kg/h	61 280 34	43.91
U-form / without pressure gauge		
KLF x G 1/4 lh M 30 mbar 0.8 kg/h	61 280 05	42.40
capacity stage 2, type EN71 with safety pressure relief valve PRV straight outlet / with pressure gauge		
KLF x G 1/4 lh M 30 mbar 1.2 kg/h	61 285 02	38.50
Shell-F x G 1/4 lh M 30 mbar 1.2 kg/h	61 286 02	41.52
without pressure gauge		
KLF x G 1/4 lh M 30 mbar 1.2 kg/h	61 285 00	27.60
Shell-F x G 1/4 lh M 30 mbar 1.2 kg/h	61 286 00	30.10
capacity stage 3, type EN61-DS with overpressure safety device S2SR straight outlet / with pressure gauge		
KLF x G 1/4 lh M 30 mbar 1.5 kg/h	61 290 03	56.50
Shell-F x G 1/4 lh M 30 mbar 1.5 kg/h	61 293 04	59.75
without pressure gauge		
KLF x G 1/4 lh M 30 mbar 1.5 kg/h	61 290 05	45.60
Shell-F x G 1/4 lh M 30 mbar 1.5 kg/h	61 293 03	48.10
90° outlet / without pressure gauge		
KLF x G 1/4 lh M 30 mbar 1.5 kg/h	61 290 11	53.60

Caravan and motor caravan



Caramatic BasicOne type EN61

Part no.

€/ 1 pc.

for connection to gas cylinders to regulate the pressure to the nominal pressure of the gas equipment

Advantages and equipment

- with pressure relief valve PRV
- vent plug that also prevents moisture, such as rainwater, getting inside the regulator
- version with extended inlet connector, 90° outlet suitable for VW camper vans with Westfalia fit-out

Conformity

- EC type examination certificate PED
- EC type examination certificate GAR
- UKCA type examination certificate GAR

Technical data

- maximum permissible pressure: PS 16 bar

Caramatic BasicOne type EN61

**straight outlet
with pressure gauge**

KLF x G 1/4 lh M 50 mbar 1.5 kg/h
Shell-F x G 1/4 lh M 50 mbar 1.5 kg/h

01 113 05 25.90
01 113 13 28.40

without pressure gauge

KLF x G 1/4 lh M 50 mbar 1.5 kg/h
Shell-F x G 1/4 lh M 50 mbar 1.5 kg/h

01 113 00 15.00
01 113 08 17.50

90° outlet

with pressure gauge

KLF x G 1/4 lh M 50 mbar 0.8 kg/h

01 113 43 33.90

without pressure gauge

KLF x G 1/4 lh M 50 mbar 0.8 kg/h

01 113 41 23.00

**with extended inlet connector, 90° outlet
without pressure gauge**

KLF x G 1/4 lh M 50 mbar 0.8 kg/h

01 113 42 34.80

Shop packaging

Caramatic BasicOne type EN61

**straight outlet
with pressure gauge**

KLF x G 1/4 lh M 50 mbar 1.5 kg/h
Shell-F x G 1/4 lh M 50 mbar 1.5 kg/h

61 113 03 28.50
61 113 12 31.00

without pressure gauge

KLF x G 1/4 lh M 50 mbar 1.5 kg/h
Shell-F x G 1/4 lh M 50 mbar 1.5 kg/h

61 113 00 17.60
61 113 11 20.10

90° outlet

KLF x G 1/4 lh M 50 mbar 0.8 kg/h
Shell-F x G 1/4 lh M 50 mbar 0.8 kg/h

61 113 25 25.60
61 113 27 28.00

**with extended inlet connector, 90° outlet
without pressure gauge**

KLF x G 1/4 lh M 50 mbar 0.8 kg/h

61 113 13 37.40

Caravan and motor caravan



-30 °C



Medium pressure hose assembly rubber

Part no.

€/ 1 pc.

to connect fittings, consumer equipment and piping

Conformity

- DVGW [German Association of Gas and Water] type test certificate

Technical data

- maximum admissible pressure: PS 10 bar
- hose: **rubber with textile lining**
- cold resistant up to -30 °C

Note

- Our hose assemblies are supplied with a tag and notice of the year of replacement.

Medium pressure hose assembly rubber

hose dimensions 6.3 x 3.5 mm

connections: coupling nut x compression fitting with coupling nut type M and olive type D

G 1/4 lh nut x compr. fit. 8 x 400 mm

04 402 00

5.10

G 1/4 lh nut x compr. fit. 8 x 750 mm

04 405 01

6.84

G 1/4 lh nut x compr. fit. 10 x 400 mm

04 409 03

7.00

G 1/4 lh nut x compr. fit. 10 x 750 mm

04 409 07

8.88

connections: coupling nut x pipe socket

G 1/4 lh nut x pipe socket 8 x 400 mm

04 436 02

6.30

Shop packaging

Medium pressure hose assembly rubber

hose dimensions 6.3 x 3.5 mm

connections: coupling nut x compression fitting with coupling nut type M and olive type D

G 1/4 lh nut x compr. fit. 8 x 400 mm

64 402 00

7.70

G 1/4 lh nut x compr. fit. 8 x 750 mm

64 405 01

9.44

G 1/4 lh nut x compr. fit. 10 x 400 mm

64 409 00

9.60

G 1/4 lh nut x compr. fit. 10 x 750 mm

64 409 02

11.48

connections: coupling nut x pipe socket

G 1/4 lh nut x pipe socket 8 x 400 mm

64 436 03

8.90

Other versions, connections or dimensions on request.

Caravan and motor caravan



Medium pressure hose assembly plastic

Part no.

€ / 1 pc.

to connect fittings, consumer equipment and piping

Conformity

- DVGW [German Association of Gas and Water] type test certificate

Technical data

- maximum admissible pressure: PS 10 bar
- hose: **plastic with textile lining**

Note

- Our hose assemblies are supplied with a tag and notice of the year of replacement.

Medium pressure hose assembly plastic

hose dimensions 6.3 x 3.5 mm

connections: coupling nut x compression fitting

with coupling nut type M and olive type D

G 1/4 lh nut x compr. fit. 8 x 400 mm

04 402 30

4.08

G 1/4 lh nut x compr. fit. 8 x 500 mm

04 403 30

4.40

G 1/4 lh nut x compr. fit. 8 x 750 mm

04 405 31

6.12

G 1/4 lh nut x compr. fit. 10 x 400 mm

04 409 31

5.92

Shop packaging

Medium pressure hose assembly plastic

hose dimensions 6.3 x 3.5 mm

connections: coupling nut x compression fitting

with coupling nut type M and olive type D

G 1/4 lh nut x compr. fit. 8 x 400 mm

64 402 02

6.68

G 1/4 lh nut x compr. fit. 10 x 400 mm

64 409 09

8.52

Other versions, connections or dimensions on request.

Medium pressure regulator

Part no.

€ / 1 pc.



for connection to gas cylinders to regulate the pressure to the nominal pressure of the gas equipment

Advantages and equipment

- for heaters with 0.5 bar connection pressure, such as from Primus
- combined fitting for optional connection to 5, 11 or 33 kg gas cylinders

Technical data

- maximum permissible pressure: PS 16 bar

Medium pressure regulator

Komb.A x G 3/8 lh M 0.5 bar 1 kg/h

01 219 02

49.30

Caravan and motor caravan



Low pressure regulator	Part no.	€ / 1 pc.
<p>for connection to LPG tanks firmly installed on the vehicle or for installation in the supply line (e.g. in combination with medium pressure regulator 01 219 02)</p> <p>Advantages and equipment</p> <ul style="list-style-type: none"> • with pressure relief valve PRV • easy assembly in the supply line <p>Conformity</p> <ul style="list-style-type: none"> • EC type examination certificate PED (EN 16129, annex D) • EC type examination certificate GGV [ordinance on building land registries] (EN 16129, annex D) • UKCA type examination certificate GGV [ordinance on building land registries] (EN 16129, annex D) <p>Technical data</p> <ul style="list-style-type: none"> • maximum permissible pressure: PS 16 bar <p>Low pressure regulator type EN61 with pressure gauge connection with coupling nut type M and olive type D-MS compr. fit. 8 x compr. fit. 8 30 mbar 0.8 kg/h</p> <p>type EN71 without pressure gauge connection with coupling nut type M and olive type D-MS compr. fit. 8 x compr. fit. 8 30 mbar 1.2 kg/h</p> <p>Accessories Fitting 1/2 UNF F x pipe socket 8</p> <p>Shop packaging </p> <p>Accessories Fitting 1/2 UNF F x pipe socket 8</p>		
	01 282 01	33.10
	01 287 90	39.70
	02 523 00	5.56
	62 523 00	7.16



Low pressure regulator type EN61	Part no.	€ / 1 pc.
<p>for connection to LPG tanks firmly installed on the vehicle or for installation in the supply line (e.g. in combination with medium pressure regulator 01 219 02)</p> <p>Advantages and equipment</p> <ul style="list-style-type: none"> • with pressure relief valve PRV • easy assembly in the supply line <p>Conformity</p> <ul style="list-style-type: none"> • EC type examination certificate PED • EC type examination certificate GAR • UKCA type examination certificate GAR <p>Technical data</p> <ul style="list-style-type: none"> • maximum permissible pressure: PS 16 bar <p>Low pressure regulator type EN61 with pressure gauge connection with coupling nut type M and olive type D-MS compr. fit. 8 x compr. fit. 8 50 mbar 1.5 kg/h</p> <p>Accessories Fitting 1/2 UNF F x pipe socket 8</p> <p>Shop packaging </p> <p>Accessories Fitting 1/2 UNF F x pipe socket 8</p>		
	01 113 50	29.70
	02 523 00	5.56
	62 523 00	7.16

Caravan and motor caravan



Low pressure regulator type EN61-DS

Part no.

€ / 1 pc.

for connection to LPG tanks firmly installed on the vehicle to regulate the pressure to the nominal pressure of the gas equipment

Advantages and equipment

- overpressure safety valve S2SR to protect consumer equipment against inadmissible high pressures
- test point for leak testing the LPG system without disassembling the pressure regulating device
- version with combined fitting for optional connection to 5, 11 or 33 kg gas cylinders

Conformity

- EC type examination certificate PED (EN 16129, annex D)
- EC type examination certificate GGV [ordinance on building land registries] (EN 16129, annex D)
- UKCA type examination certificate GGV [ordinance on building land registries] (EN 16129, annex D)

Technical data

- maximum permissible pressure: PS 16 bar

Low pressure regulator type EN61-DS with coupling nut type M and olive type D-MS

Komb.A x compr. fit. 8 30 mbar 1.5 kg/h
 compr. fit. 8 x compr. fit. 8 30 mbar 1.5 kg/h

01 293 23 68.30
 01 293 22 68.30

Accessories

Fitting GF F x compr. fit. 8
 Fitting 1/2 UNF F x GF M
 Fitting 1/2 UNF F x compr. fit. 8
 Fitting 1/2 UNF F x pipe socket 8

02 531 00 10.52
 02 528 00 10.40
 02 527 00 10.40
 02 523 00 5.56

Shop packaging

Low pressure regulator type EN61-DS with coupling nut type M and olive type D-MS

Komb.A x compr. fit. 8 30 mbar 1.5 kg/h
 compr. fit. 8 x compr. fit. 8 30 mbar 1.5 kg/h

61 293 06 70.90
 61 293 05 70.90

Accessories

Fitting GF F x compr. fit. 8
 Fitting 1/2 UNF F x GF M
 Fitting 1/2 UNF F x compr. fit. 8
 Fitting 1/2 UNF F x pipe socket 8

62 531 00 12.12
 62 528 00 12.00
 62 527 00 12.00
 62 523 00 7.16

Caravan and motor caravan

**UK
CA** **CE**



Low pressure regulator type EN61

Part no.

€ / 1 pc.

for connection to gas cylinders and to LPG tanks firmly installed on the vehicle to regulate the pressure to the nominal pressure of the gas equipment

consisting of: low pressure regulator, pressure relief valve PRV, toggle valve and quick coupler SKU with shut-off valve for leak testing and supply of external gas equipment, e.g. gas grill

Advantages and equipment

- vent plug that also prevents moisture, such as rainwater, getting inside the regulator
- version with combined fitting for optional connection to 5, 11 or 33 kg gas cylinders

Conformity

- EC type examination certificate PED
- EC type examination certificate GAR
- UKCA type examination certificate GAR

Technical data

- maximum permissible pressure: PS 16 bar
- material: various internal parts: stainless steel

Low pressure regulator type EN61 with coupling nut type M-MS and olive type D-MS

Komb.A	x	quick coupler / compr. fit. 8	50 mbar	1 kg/h	02 481 00	194.40
compr. fit. 8	x	quick coupler / compr. fit. 8	50 mbar	1 kg/h	02 482 00	194.40

Accessories

Fitting GF F x compr. fit. 8	02 531 00	10.52
Fitting 1/2 UNF F x GF M	02 528 00	10.40
Fitting 1/2 UNF F x compr. fit. 8	02 527 00	10.40
Fitting 1/2 UNF F x pipe socket 8	02 523 00	5.56

Shop packaging

Accessories

Fitting GF F x compr. fit. 8	62 531 00	12.12
Fitting 1/2 UNF F x GF M	62 528 00	12.00
Fitting 1/2 UNF F x compr. fit. 8	62 527 00	12.00
Fitting 1/2 UNF F x pipe socket 8	62 523 00	7.16

Low pressure regulator G76

Part no.

€ / 1 pc.

for connection of caravans and motor caravans with gas equipment running on 30 mbar to stationary gas lines 50 mbar

Advantages and equipment

- the low pressure regulator is installed in the stationary gas line outside the vehicle and regulates the pressure from 50 to 30 mbar

Note

- The low pressure regulator is not suitable for installation in the vehicle!
- In the German DVGW worksheet G 607 for LPG systems in occupied leisure vehicles and for living purposes in other road vehicles, it is prescribed in the chapter for operation and testing that pressure regulators are to be replaced 10 years after the date of manufacture at the latest. If the working pressure of the system is 30 mbar, pursuant to G 607, a regulator according to EN 16129, annex D (e.g. part no. 01 280 10) is to be used in the event of a replacement. For LPG systems in vehicles with a working pressure of 50 mbar, a non-compliance permit applies. There is no obligation to convert to 30 mbar.

Low pressure regulator G76 with coupling nut type M and olive type D-MS

compr. fit. 8	x	compr. fit. 8	30 mbar	1.5 kg/h	01 450 00	52.00
---------------	---	---------------	---------	----------	-----------	-------

Shop packaging

Low pressure regulator G76 with coupling nut type M and olive type D-MS

compr. fit. 8	x	compr. fit. 8	30 mbar	1.5 kg/h	61 450 01	54.60
---------------	---	---------------	---------	----------	-----------	-------



Caravan and motor caravan



Pre-pressure regulator type DE 50/30 S

Part no.

€ / 1 pc.

for safe, compliant integration of 30 mbar gas equipment in 50 mbar LPG systems in vehicles and boats

Advantages and equipment

- including 1 m plastic ventilation line
- easy assembly in the respective appliance line
- integrated bypass bore ensures a leak check to the gas equipment
- ideal if the LPG system is retrofitted or if defective gas equipment is being replaced

Conformity

- EC type examination certificate GAR

Technical data

- maximum admissible pressure: PS 1 bar

Note

- In the German DVGW worksheet G 607 for LPG systems in occupied leisure vehicles and for living purposes in other road vehicles, it is prescribed in the chapter for operation and testing that pressure regulators are to be replaced 10 years after the date of manufacture at the latest. If the working pressure of the system is 30 mbar, pursuant to G 607, a regulator according to EN 16129, annex D (e.g. part no. 01 280 10) is to be used in the event of a replacement. For LPG systems in vehicles with a working pressure of 50 mbar, a non-compliance permit applies. There is no obligation to convert to 30 mbar.

Shop packaging

Pre-pressure regulator type DE 50/30 S with coupling nut type M-MS and olive type D-MS

compr. fit. 8 x compr. fit. 8 30 mbar 0.8 kg/h

71 446 00

61.54

Hull / wall duct

Part no.

€ / 1 pc.



to guide the regulator ventilation line of the pre-pressure regulator through the hull or vehicle wall

Advantages and equipment

- simple and secure assembly through the hull or vehicle wall
- avoidance of damage to the ventilation line through assembly near the pre-pressure regulator

Technical data

- material: hull / wall duct: chrome-plated brass
sealing for inside and outside: teflon
nut and washer for inside: stainless steel

Hull / wall duct

for wall thicknesses up to 8 mm

11 445 08

44.90

for wall thicknesses of 15 to 40 mm

11 445 40

57.90

Shop packaging

Hull / wall duct

for wall thicknesses up to 8 mm

71 445 00

46.50

for wall thicknesses of 15 to 40 mm

71 445 02

59.50

Caravan and motor caravan



Gas cylinder valve type CGV

Part no.

€ / 1 pc.

for connection to butane and propane cylinders up to 5 kg filling weight

Advantages and equipment

- with control valve (open - closed)
- safety valve - response pressure 14 bar (butane - blue plug)
- safety valve - response pressure 30 bar (propane - red plug)

Technical data

- housing material: brass

Gas cylinder valve type CGV for butane cylinders

GAZ x KLF M

09 737 01

20.36

GAZ x Shell-F M

09 737 05

22.76

for propane cylinders

GAZ x KLF M

09 737 00

20.36

GAZ x Shell-F M

09 737 04

22.76

Primus x KLF M

09 737 02

27.54

Spare Part

Gasket for GAZ, material: NBR

20 015 29

0.80

Shop packaging

Gas cylinder valve type CGV

for butane cylinders

GAZ x KLF M

69 737 00

21.96

GAZ x Shell-F M

69 737 05

24.36

for propane cylinders

GAZ x KLF M

69 737 04

21.96

GAZ x Shell-F M

69 737 09

24.36

Primus x KLF M

69 737 08

29.14

Spare Part

Gasket for KLF, material: NBR / cont. 5 units

80 016 00

5.60

Caravan and motor caravan



Quick-acting stop valve type DSV

Part no.

€ / 1 pc.

quick-closing valve, only completely open or closed setting

Advantages and equipment

- includes symbol stickers for marking the consumer equipment
- activation element: twist grip
- low pressure loss thanks to optimised function
- mounting bracket for safe assembly

Conformity

- DIN DVGW [German Association of Gas and Water] type test certificate

Technical data

- maximum admissible pressure: PS 5 bar
- material: housing: brass, bright
gaskets: NBR
twist grip: PA6 GB10

Note

- In the conversion process, the pressure resistance increases from PS 5 bar to PS 16 bar

Quick-acting stop valve type DSV

with mounting bracket

with coupling nut type M and olive type D

compr. fit. 8 x compr. fit. 8

03 711 00

27.82

with coupling nut type M and olive type D-MS

compr. fit. 8 x compr. fit. 8

03 711 06

28.10

Shop packaging

Quick-acting stop valve type DSV

with mounting bracket

with coupling nut type M and olive type D

compr. fit. 8 x compr. fit. 8

63 711 00

29.42

with coupling nut type M and olive type D-MS


compr. fit. 8 x compr. fit. 8

63 711 06

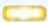
29.70

Caravan and motor caravan



Quick-acting stop valve type KSV	Part no.	€ / 1 pc.
quick-closing valve, only completely open or closed setting		
Advantages and equipment		
<ul style="list-style-type: none"> • activation element: ergonomic toggle lever • colour coded open (green) and closed position (red) • low pressure loss thanks to optimised function • includes clips with symbols for marking consumer equipment 		
Conformity		
<ul style="list-style-type: none"> • DIN DVGW [German Association of Gas and Water] type test certificate 		
Technical data		
<ul style="list-style-type: none"> • maximum permissible pressure: PS 16 bar • material: housing: brass, bright gaskets: NBR toggle lever: PA6 GF30 		
Quick-acting stop valve type KSV		
with mounting bracket		
with coupling nut type M and olive type D		
compr. fit. 8 x compr. fit. 8	03 611 00	27.82
with coupling nut type M and olive type D-MS		
compr. fit. 8 x compr. fit. 8	03 611 06	28.10
Shop packaging 		
Quick-acting stop valve type KSV		
with mounting bracket		
with coupling nut type M and olive type D		
compr. fit. 8 x compr. fit. 8	63 611 00	29.42
with coupling nut type M and olive type D-MS		
compr. fit. 8 x compr. fit. 8	63 611 06	29.70
Spare Part		
Clips with symbols for marking consumer equipment / cont. 4 units	63 690 00	6.14

Caravan and motor caravan

Distributor valve type DSV-AB	Part no.	€ / 1 pc.
quick-closing valve, only completely open or closed setting		
Advantages and equipment		
<ul style="list-style-type: none"> • with mounting bracket • includes a blind plug in the outlet • includes symbol stickers for marking the consumer equipment • activation element: twist grip • low pressure loss thanks to optimised function 		
Conformity		
<ul style="list-style-type: none"> • DIN DVGW [German Association of Gas and Water] type test certificate 		
Technical data		
<ul style="list-style-type: none"> • maximum admissible pressure: PS 5 bar • material: housing: brass, bright gaskets: NBR twist grip: PA6 GB10 		
Note		
<ul style="list-style-type: none"> • In the conversion process, the pressure resistance increases from PS 5 bar to PS 16 bar 		
Distributor valve		
type DSV-AB2		
with coupling nut type M and olive type D		
compr. fit. 8 x 2 x compr. fit. 8 x compr. fit. 8	03 750 00	44.50
compr. fit. 10 x 2 x compr. fit. 8 x compr. fit. 10	03 760 00	44.50
with coupling nut type M and olive type D-MS		
compr. fit. 8 x 2 x compr. fit. 8 x compr. fit. 8	03 750 06	44.50
compr. fit. 10 x 2 x compr. fit. 8 x compr. fit. 10	03 760 06	44.50
type DSV-AB3		
with coupling nut type M and olive type D		
compr. fit. 8 x 3 x compr. fit. 8 x compr. fit. 8	03 751 00	72.20
compr. fit. 10 x 3 x compr. fit. 8 x compr. fit. 10	03 761 00	72.20
with coupling nut type M and olive type D-MS		
compr. fit. 8 x 3 x compr. fit. 8 x compr. fit. 8	03 751 06	72.20
compr. fit. 10 x 3 x compr. fit. 8 x compr. fit. 10	03 761 06	72.20
type DSV-AB4		
with coupling nut type M and olive type D		
compr. fit. 8 x 4 x compr. fit. 8 x compr. fit. 8	03 752 00	100.96
compr. fit. 10 x 4 x compr. fit. 8 x compr. fit. 10	03 762 00	100.96
with coupling nut type M and olive type D-MS		
compr. fit. 8 x 4 x compr. fit. 8 x compr. fit. 8	03 752 06	100.96
compr. fit. 10 x 4 x compr. fit. 8 x compr. fit. 10	03 762 06	100.96
Shop packaging 		
Distributor valve		
type DSV-AB2		
with coupling nut type M and olive type D		
compr. fit. 8 x 2 x compr. fit. 8 x compr. fit. 8	63 750 00	44.50
compr. fit. 10 x 2 x compr. fit. 8 x compr. fit. 10	63 760 00	44.50
type DSV-AB3		
compr. fit. 8 x 3 x compr. fit. 8 x compr. fit. 8	63 751 00	72.20
compr. fit. 10 x 3 x compr. fit. 8 x compr. fit. 10	63 761 00	72.20
type DSV-AB4		
compr. fit. 8 x 4 x compr. fit. 8 x compr. fit. 8	63 752 00	100.96
compr. fit. 10 x 4 x compr. fit. 8 x compr. fit. 10	63 762 00	100.96
Accessories		
Set of symbols / cont. 5 units	63 750 01	6.14



Caravan and motor caravan

Distributor valve type KSV-AB

Part no.

€ / 1 pc.

Quick-closing valve, only completely open or closed setting

Advantages and equipment

- activation element: ergonomic toggle lever
- colour coded open (green) and closed position (red)
- low pressure loss thanks to optimised function
- with mounting bracket
- includes clips with symbols for marking consumer equipment
- includes a blind plug in the outlet

Conformity

- DIN DVGW [German Association of Gas and Water] type test certificate

Technical data

- maximum permissible pressure: PS 16 bar
- material: housing: brass, bright
gaskets: NBR
toggle lever: PA6 GF30

Distributor valve

type KSV-AB2

with coupling nut type M and olive type D

- | | | | | | | | |
|----------------|-----|---------------|---|----------------|--|-----------|-------|
| compr. fit. 8 | x 2 | compr. fit. 8 | x | compr. fit. 8 | | 03 650 00 | 44.50 |
| compr. fit. 10 | x 2 | compr. fit. 8 | x | compr. fit. 10 | | 03 660 00 | 44.50 |

with coupling nut type M and olive type D-MS

- | | | | | | | | |
|----------------|-----|---------------|---|----------------|--|-----------|-------|
| compr. fit. 8 | x 2 | compr. fit. 8 | x | compr. fit. 8 | | 03 650 06 | 44.50 |
| compr. fit. 10 | x 2 | compr. fit. 8 | x | compr. fit. 10 | | 03 660 06 | 44.50 |

type KSV-AB3

with coupling nut type M and olive type D

- | | | | | | | | |
|----------------|-----|---------------|---|----------------|--|-----------|-------|
| compr. fit. 8 | x 3 | compr. fit. 8 | x | compr. fit. 8 | | 03 651 00 | 72.20 |
| compr. fit. 10 | x 3 | compr. fit. 8 | x | compr. fit. 10 | | 03 661 00 | 72.20 |

with coupling nut type M and olive type D-MS

- | | | | | | | | |
|----------------|-----|---------------|---|----------------|--|-----------|-------|
| compr. fit. 8 | x 3 | compr. fit. 8 | x | compr. fit. 8 | | 03 651 06 | 72.20 |
| compr. fit. 10 | x 3 | compr. fit. 8 | x | compr. fit. 10 | | 03 661 06 | 72.20 |

type KSV-AB4

with coupling nut type M and olive type D

- | | | | | | | | |
|----------------|-----|---------------|---|----------------|--|-----------|--------|
| compr. fit. 8 | x 4 | compr. fit. 8 | x | compr. fit. 8 | | 03 652 00 | 100.96 |
| compr. fit. 10 | x 4 | compr. fit. 8 | x | compr. fit. 10 | | 03 662 00 | 100.96 |

with coupling nut type M and olive type D-MS

- | | | | | | | | |
|----------------|-----|---------------|---|----------------|--|-----------|--------|
| compr. fit. 8 | x 4 | compr. fit. 8 | x | compr. fit. 8 | | 03 652 06 | 100.96 |
| compr. fit. 10 | x 4 | compr. fit. 8 | x | compr. fit. 10 | | 03 662 06 | 100.96 |

Shop packaging

Distributor valve

type KSV-AB2

with coupling nut type M and olive type D

- | | | | | | | | |
|----------------|-----|---------------|---|----------------|--|-----------|-------|
| compr. fit. 8 | x 2 | compr. fit. 8 | x | compr. fit. 8 | | 63 650 00 | 44.50 |
| compr. fit. 10 | x 2 | compr. fit. 8 | x | compr. fit. 10 | | 63 660 00 | 44.50 |

type KSV-AB3

- | | | | | | | | |
|----------------|-----|---------------|---|----------------|--|-----------|-------|
| compr. fit. 8 | x 3 | compr. fit. 8 | x | compr. fit. 8 | | 63 651 00 | 72.20 |
| compr. fit. 10 | x 3 | compr. fit. 8 | x | compr. fit. 10 | | 63 661 00 | 72.20 |

type KSV-AB4

- | | | | | | | | |
|----------------|-----|---------------|---|----------------|--|-----------|--------|
| compr. fit. 8 | x 4 | compr. fit. 8 | x | compr. fit. 8 | | 63 652 00 | 100.96 |
| compr. fit. 10 | x 4 | compr. fit. 8 | x | compr. fit. 10 | | 63 662 00 | 100.96 |

Spare Part

Clips with symbols for marking consumer equipment / cont. 4 units

63 690 00

6.14



Caravan and motor caravan

shortened design

Distributor valve short design type KSV-AB

Part no.

€ / 1 pc.

quick-closing valve, only completely open or closed setting

Advantages and equipment

- activation element: ergonomic toggle lever
- colour coded open (green) and closed position (red)
- shortened configuration for optimised installation
- low pressure loss thanks to optimised function
- with mounting bracket
- includes clips with symbols for marking consumer equipment
- includes a blind plug in the outlet

Conformity

- DIN DVGW [German Association of Gas and Water] type test certificate

Technical data

- maximum permissible pressure: PS 16 bar
- material:

housing:	brass, bright
gaskets:	NBR
toggle lever:	PA6 GF30

Distributor valve short design

type KSV-AB2

with coupling nut type M and olive type D

compr. fit. 8	x	2 x	compr. fit. 8	x	compr. fit. 8	03 670 00	44.50
compr. fit. 10	x	2 x	compr. fit. 8	x	compr. fit. 10	03 680 00	44.50

with coupling nut type M and olive type D-MS

compr. fit. 8	x	2 x	compr. fit. 8	x	compr. fit. 8	03 670 06	44.50
compr. fit. 10	x	2 x	compr. fit. 8	x	compr. fit. 10	03 680 06	44.50

type KSV-AB3

with coupling nut type M and olive type D

compr. fit. 8	x	3 x	compr. fit. 8	x	compr. fit. 8	03 671 00	72.20
compr. fit. 10	x	3 x	compr. fit. 8	x	compr. fit. 10	03 681 00	72.20

with coupling nut type M and olive type D-MS

compr. fit. 8	x	3 x	compr. fit. 8	x	compr. fit. 8	03 671 06	72.20
compr. fit. 10	x	3 x	compr. fit. 8	x	compr. fit. 10	03 681 06	72.20

type KSV-AB4

with coupling nut type M and olive type D

compr. fit. 8	x	4 x	compr. fit. 8	x	compr. fit. 8	03 672 00	100.96
compr. fit. 10	x	4 x	compr. fit. 8	x	compr. fit. 10	03 682 00	100.96

with coupling nut type M and olive type D-MS

compr. fit. 8	x	4 x	compr. fit. 8	x	compr. fit. 8	03 672 06	100.96
compr. fit. 10	x	4 x	compr. fit. 8	x	compr. fit. 10	03 682 06	100.96

Shop packaging

Distributor valve short design

type KSV-AB2

with coupling nut type M and olive type D

compr. fit. 8	x	2 x	compr. fit. 8	x	compr. fit. 8	63 670 00	44.50
compr. fit. 10	x	2 x	compr. fit. 8	x	compr. fit. 10	63 680 00	44.50

type KSV-AB3

compr. fit. 8	x	3 x	compr. fit. 8	x	compr. fit. 8	63 671 00	72.20
compr. fit. 10	x	3 x	compr. fit. 8	x	compr. fit. 10	63 681 00	72.20

type KSV-AB4

compr. fit. 8	x	4 x	compr. fit. 8	x	compr. fit. 8	63 672 00	100.96
compr. fit. 10	x	4 x	compr. fit. 8	x	compr. fit. 10	63 682 00	100.96

Spare Part

Clips with symbols for marking consumer equipment / cont. 4 units

63 690 00	6.14
-----------	------



Caravan and motor caravan



Coupling valve type SKU SSV-K

Part no.

€ / 1 pc.

ball valve as shut-off valve with safety coupling, only completely open or closed setting for assembly into the piping as an option to connect transportable gas equipment such as gas cookers or gas grills

Advantages and equipment

- shut-off valve can be opened or closed only when a hose assembly is connected
- a special device makes the quick coupler SKU tamper-proof - decoupling is only possible with the plug-in fitting STN
- low pressure loss thanks to optimised function
- mounting bracket for safe assembly

Conformity

- EC type examination certificate GAR

Technical data

- maximum admissible pressure: PS 5 bar
- material: brass, bright

Coupling valve type SKU SSV-K straight-way version with coupling nut type M and olive type DU

compr. fit. 8 x quick coupler

21 315 02

46.82

branch version with coupling nut type M and olive type DU

compr. fit. 8 x compr. fit. 8 x quick coupler

21 315 04

54.48

Accessories

Bling plug

03 415 15

3.46

Shop packaging 

Coupling valve type SKU SSV-K straight-way version with coupling nut type M and olive type DU

compr. fit. 8 x quick coupler

81 315 02

49.42

branch version with coupling nut type M and olive type DU

compr. fit. 8 x compr. fit. 8 x quick coupler


81 315 04

57.08



Caravan and motor caravan



Test point	Part no.	€ / 1 pc.
for leak testing the piping of LPG systems		
Advantages and equipment		
<ul style="list-style-type: none"> • especially suitable for e.g. wall-mounted low pressure regulators according to EN 16129, annex D in leisure vehicles • if the test point is used, the dismantling of the wall-mounted pressure regulator for the leak testing of the LPG system is not required • leak tester (for example, part no. 02 611 10) is connected with test adapter • the inlet to the pressure regulator is blocked via the ball valve 		
Test point		
with coupling nut type M and olive type D-MS		
pipe socket 8 x compr. fit. 8	02 618 00	41.58
pipe socket 10 x compr. fit. 10	02 618 10	41.58
Accessories		
Test hose G 1/4 lh nut x adapter for test point x 750 mm	02 618 06	18.30
Shop packaging 		
Test point		
with coupling nut type M and olive type D-MS		
pipe socket 8 x compr. fit. 8	62 618 02	44.18
pipe socket 10 x compr. fit. 10	62 618 04	44.18
Accessories		
Test hose G 1/4 lh nut x adapter for test point x 750 mm	62 618 03	20.90

Caravan and motor caravan



Quick coupler type SKU-QR

Part no.

€/ 1 pc.

for the quick connection of hose assemblies to gas equipment without the use of tools

Advantages and equipment

- the gas flow is shut off when decoupling
- a special device makes the SKU-QR quick coupler tamperproof – decoupling is only possible with the standardised STN plug-in fitting
- the ergonomic and non-slip handle makes the SKU-QR quick coupler easy to hold in the hand and enables easy coupling and/or decoupling
- the sealing plug prevents the penetration of dirt particles or insects when the SKU-QR quick coupler is not in use

Conformity

- EC type examination certificate GAR

Technical data

- maximum admissible pressure: PS 5 bar
- Handle and sealing plug: temperature resistant up to +110 °C

Note

- The SKU-QR quick coupler does not serve as a permanent shut-off device, but must always be used in connection with a shut-off valve (e.g. the cylinder valve).

Quick coupler type SKU-QR

G 1/4 lh M	x	quick coupler	02 447 03	11.62
compr. fit. 8	x	quick coupler	02 447 00	12.12

Quick coupler set type SKU-QR

G 1/4 lh M	x	quick coupler and plug-in fitting x G 1/4 lh nut	02 447 04	13.66
G 1/4 lh M	x	quick coupler and 2 x plug-in fitting x G 1/4 lh nut	02 447 05	16.72
G 1/4 lh M	x	quick coupler and plug-in fitting x G 1/4 lh nut 90°	02 447 08	18.76
G 1/4 lh M	x	quick coupler and plug-in fitting x socket 8, assembled nut and olive	02 447 07	14.20
G 1/4 lh M	x	quick coupler and plug-in fitting x G 5/8 UNF-nut	02 447 06	14.68
compr. fit. 8	x	quick coupler and plug-in fitting x compr. fit. 8	02 447 01	15.18
compr. fit. 8	x	quick coupler and plug-in fitting x socket 8, assembled nut and olive	02 447 02	14.68

Accessories

Plug-in fitting x G 1/4 lh nut	02 447 12	3.06
Plug-in fitting x G 1/4 lh nut 90°	02 447 27	8.06
Plug-in fitting x compr. fit. 8	02 447 10	4.28
Plug-in fitting x pipe socket 8, assembled coupling nut type M and olive type D	02 447 11	3.76
Plug-in fitting x G 5/8 UNF-nut	02 447 13	3.78

Shop packaging

Quick coupler type SKU-QR

G 1/4 lh M	x	quick coupler	62 447 03	13.22
compr. fit. 8	x	quick coupler	62 447 00	13.72

Quick coupler set type SKU-QR

G 1/4 lh M	x	quick coupler and plug-in fitting x G 1/4 lh nut	62 447 04	15.26
G 1/4 lh M	x	quick coupler and 2 x plug-in fitting x G 1/4 lh nut	62 447 05	18.32
G 1/4 lh M	x	quick coupler and plug-in fitting x G 1/4 lh nut 90°	62 447 08	20.36
G 1/4 lh M	x	quick coupler and plug-in fitting x socket 8, assembled nut and olive	62 447 07	15.80
G 1/4 lh M	x	quick coupler and plug-in fitting x G 5/8 UNF-nut	62 447 06	16.28
compr. fit. 8	x	quick coupler and plug-in fitting x compr. fit. 8	62 447 01	16.78
compr. fit. 8	x	quick coupler and plug-in fitting x socket 8, assembled nut and olive	62 447 02	16.28

Accessories

Plug-in fitting x G 1/4 lh nut	62 447 12	4.66
Plug-in fitting x G 1/4 lh nut 90°	62 447 14	9.66
Plug-in fitting x compr. fit. 8	62 447 10	5.88
Plug-in fitting x pipe socket 8, assembled coupling nut type M and olive type D	62 447 11	5.36
Plug-in fitting x G 5/8 UNF-nut	62 447 13	5.38



Caravan and motor caravan



Low pressure excess flow valve for slide-out modules

Part no.

€/ 1 pc.

for installation in the piping in a motor caravan or caravan, for the securing of hose assemblies

Advantages and equipment

- prevents gas escape in case the hose assembly is damaged or becomes loose and closes the gas flow when the nominal flow rate is exceeded by 10%
- **automatic excess flow valve SBS/AU:**
opens automatically, which keeps gas leaks to a minimum and means delayed opening in the case of long hose assemblies
- especially suitable for the connection of cooking appliances that have to be moved from the transport position to the functional position
- especially suitable for connections in the case of slide-out modules on road vehicles

Conformity

- EC type examination certificate GAR

Technical data

- maximum permissible pressure: PS 16 bar

Note

- Can only be used with a hose assembly that has a maximum length of 750 mm.
- Can only be used in combination with devices that have to be moved from their transport position to their functional position, or in the case of slide-out modules on road vehicles.

Low pressure excess flow valve for slide-out modules type SBS/AU automatisch

compr. fit. 8 x G 1/4 lh M 30 mbar 0,8 kg/h

02 850 07

22.60

Accessories

Medium pressure hose assembly G 1/4 lh nut x compr. fit. 8 x 750 mm

04 405 01

6.84

Medium pressure hose assembly G 1/4 lh nut x compr. fit. 10 x 750 mm

04 409 07

8.88

Caravan and motor caravan



-30 °C



Medium pressure hose assembly rubber

Part no.

€/ 1 pc.

to connect fittings, consumer equipment and piping

Conformity

- DVGW [German Association of Gas and Water] type test certificate

Technical data

- maximum admissible pressure: PS 10 bar
- hose: **rubber with textile lining**
- cold resistant up to -30 °C

Note

- Our hose assemblies are supplied with a tag and notice of the year of replacement.

Medium pressure hose assembly rubber

hose dimensions 6.3 x 3.5 mm

connections: coupling nut x compression fitting with coupling nut type M and olive type D

G 1/4 lh nut x compr. fit. 8	x 400 mm	04 402 00	5.10
G 1/4 lh nut x compr. fit. 8	x 450 mm	04 401 02	5.42
G 1/4 lh nut x compr. fit. 8	x 600 mm	04 404 00	5.92
G 1/4 lh nut x compr. fit. 8	x 750 mm	04 405 01	6.84
G 1/4 lh nut x compr. fit. 10	x 400 mm	04 409 03	7.00
G 1/4 lh nut x compr. fit. 10	x 750 mm	04 409 07	8.88

connections: coupling nut x pipe socket

G 1/4 lh nut x pipe socket 8	x 400 mm	04 436 02	6.30
------------------------------	----------	-----------	------

connections: coupling nut x plug-in fitting

G 1/4 lh nut x plug-in fitting	x 400 mm	04 221 00	7.84
G 1/4 lh nut x plug-in fitting	x 800 mm	04 222 00	9.52
G 1/4 lh nut x plug-in fitting	x 1000 mm	04 223 00	10.58
G 1/4 lh nut x plug-in fitting	x 1500 mm	04 224 00	12.26
G 1/4 lh nut x plug-in fitting	x 2000 mm	04 225 00	14.48
G 1/4 lh nut x plug-in fitting	x 3000 mm	04 227 00	19.10
G 1/4 lh nut x plug-in fitting	x 5000 mm	04 227 05	31.08

Shop packaging

Medium pressure hose assembly rubber

hose dimensions 6.3 x 3.5 mm

connections: coupling nut x compression fitting with coupling nut type M and olive type D

G 1/4 lh nut x compr. fit. 8	x 400 mm	64 402 00	7.70
G 1/4 lh nut x compr. fit. 8	x 450 mm	64 401 04	8.02
G 1/4 lh nut x compr. fit. 8	x 600 mm	64 404 00	8.52
G 1/4 lh nut x compr. fit. 8	x 750 mm	64 405 01	9.44
G 1/4 lh nut x compr. fit. 10	x 400 mm	64 409 00	9.60
G 1/4 lh nut x compr. fit. 10	x 750 mm	64 409 02	11.48

connections: coupling nut x pipe socket

G 1/4 lh nut x pipe socket 8	x 400 mm	64 436 03	8.90
------------------------------	----------	-----------	------

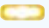
connections: coupling nut x plug-in fitting

G 1/4 lh nut x plug-in fitting	x 400 mm	64 221 01	10.44
G 1/4 lh nut x plug-in fitting	x 800 mm	64 222 00	12.12
G 1/4 lh nut x plug-in fitting	x 1000 mm	64 223 00	13.18
G 1/4 lh nut x plug-in fitting	x 1500 mm	64 224 00	14.86
G 1/4 lh nut x plug-in fitting	x 2000 mm	64 225 00	17.08
G 1/4 lh nut x plug-in fitting	x 3000 mm	64 227 01	21.70
G 1/4 lh nut x plug-in fitting	x 5000 mm	64 227 00	32.68

Other versions, connections or dimensions on request.

Caravan and motor caravan



Medium pressure hose assembly plastic	Part no.	€ / 1 pc.
<p>to connect fittings, consumer equipment and piping</p> <p>Conformity</p> <ul style="list-style-type: none"> DVGW [German Association of Gas and Water] type test certificate <p>Technical data</p> <ul style="list-style-type: none"> maximum admissible pressure: PS 10 bar hose: plastic with textile lining <p>Note</p> <ul style="list-style-type: none"> Our hose assemblies are supplied with a tag and notice of the year of replacement. <p>Medium pressure hose assembly plastic hose dimensions 6.3 x 3.5 mm connections: coupling nut x compression fitting with coupling nut type M and olive type D</p> <p>G 1/4 lh nut x compr. fit. 8 x 400 mm</p> <p>G 1/4 lh nut x compr. fit. 8 x 500 mm</p> <p>G 1/4 lh nut x compr. fit. 8 x 750 mm</p> <p>G 1/4 lh nut x compr. fit. 10 x 400 mm</p> <p>Shop packaging </p> <p>Medium pressure hose assembly plastic hose dimensions 6.3 x 3.5 mm connections: coupling nut x compression fitting with coupling nut type M and olive type D</p> <p>G 1/4 lh nut x compr. fit. 8 x 400 mm</p> <p>G 1/4 lh nut x compr. fit. 10 x 400 mm</p> <p>Other versions, connections or dimensions on request.</p>		
	04 402 30	4.08
	04 403 30	4.40
	04 405 31	6.12
	04 409 31	5.92
	64 402 02	6.68
	64 409 09	8.52

Caravan and motor caravan

Leak tester type 4071

Part no.

€/ 1 pc.

enables quick and sound leak testing of the LPG system at any time at the press of a button

Advantages and equipment

- with fixing screws
- with reinforcement rings
- including glycol mixture to check also at temperatures below freezing
- bubbles can be seen in the inspection glass if there is a leak in the LPG system

Technical data

- maximum working pressure: 2 bar
- pressure loss: < 1 mbar

Note

- Can be installed in all low pressure LPG systems in caravans and motor caravans!

Leak tester type 4071

straight outlet

**compression fitting x compression fitting
with coupling nut type M and olive type D-MS**

compr. fit. 8 x compr. fit. 10
compr. fit. 10 x compr. fit. 10

02 004 62

73.50

02 004 63

73.50

90° outlet

**pipe socket x compression fitting
with coupling nut type M and olive type D-MS**

pipe socket 8 x compr. fit. 8

02 004 64

81.30

Shop packaging

Leak tester type 4071

90° outlet

**pipe socket x compression fitting
with coupling nut type M and olive type D-MS**

pipe socket 8 x compr. fit. 8

62 004 02

83.90



Caravan and motor caravan

Information about compression fittings

For the correct selection and assembly of compression fittings, please refer to the GOK assembly manual and the data sheets for compression fittings and screw-in connectors (at www.gok.de/en/data-sheets or www.gok.de/en/installation-instructions).



Assembly instructions
Compression fittings



Data sheet
Compression fittings



Data sheet
Screw-in connectors

If you are installing a compression fitting with copper or aluminium pipe, you must use a reinforcement ring. For aluminium pipes, use a reinforcement ring made of steel!

All compression fittings with DVGW type approval certificate according to DIN 3387-1. The DIN 3387-1 standard specifies the requirements and tests for compression fittings (smooth pipe couplings) for connecting metal gas pipes, e.g. within the field of application of TRF (Technical Rules for LPG in Germany). The details of the design of compression fittings are mainly specified in EN ISO 8434-1, DIN 2353 or other standards. For a precise description, the standardised designations according to EN ISO 8434 are used (e.g. EN ISO 8434-1 - SC).

Straight compression fitting type G

Part no.

€ / 1 pc.

EN ISO 8434-1 - SC

Straight compression fitting type G with coupling nut type M and olive type D

compr. fit. 8 x compr. fit. 8 series L

07 702 00

2.65

compr. fit. 10 x compr. fit. 10 series L

07 703 00

3.89

Shop packaging

Straight compression fitting type G with coupling nut type M and olive type D

compr. fit. 8 x compr. fit. 8 series L

67 702 00

4.25

compr. fit. 10 x compr. fit. 10 series L

67 703 00

5.49

Other versions, connections or dimensions on request.



Elbow compression fitting type W

Part no.

€ / 1 pc.

EN ISO 8434-1 - EC

Elbow compression fitting type W with coupling nut type M and olive type D

compr. fit. 8 x compr. fit. 8 series L

07 708 00

6.10

compr. fit. 10 x compr. fit. 10 series L

07 709 00

7.63

Shop packaging

Elbow compression fitting type W with coupling nut type M and olive type D

compr. fit. 8 x compr. fit. 8 series L

67 708 00

7.70

compr. fit. 10 x compr. fit. 10 series L

67 709 00

9.23

Other versions, connections or dimensions on request.



Caravan and motor caravan



T-shape compression fitting type T

EN ISO 8434-1 - TC

T-shape compression fitting type T with coupling nut type M and olive type D

compr. fit. 8 x compr. fit. 8 x compr. fit. 8 series L
compr. fit. 10 x compr. fit. 10 x compr. fit. 10 series L

Shop packaging

T-shape compression fitting type T with coupling nut type M and olive type D

compr. fit. 8 x compr. fit. 8 x compr. fit. 8 series L
compr. fit. 10 x compr. fit. 10 x compr. fit. 10 series L

Other versions, connections or dimensions on request.

Part no. € / 1 pc.

07 714 00 8.75
07 715 00 9.63

67 714 00 10.35
67 715 02 11.23



Straight reducing compression fitting type GR

EN ISO 8434-1 - RDSC

Straight reducing compression fitting type GR with coupling nut type M and olive type D

compr. fit. 10 x compr. fit. 8 series L

Shop packaging

Straight reducing compression fitting type GR with coupling nut type M and olive type D

compr. fit. 10 x compr. fit. 8 series L

Other versions, connections or dimensions on request.

Part no. € / 1 pc.

07 727 00 4.42

67 727 00 6.02



Elbow reducing compression fitting type WR

EN ISO 8434-1 - RDEC

Elbow reducing compression fitting type WR with coupling nut type M and olive type D

compr. fit. 10 x compr. fit. 8 series L

Other versions, connections or dimensions on request.

Part no. € / 1 pc.

07 734 00 9.73



T-shape reducing compression fitting type TR

EN ISO 8434-1 - RDBTC or RDRTC

T-shape reducing compression fitting type TR with coupling nut type M and olive type D

compr. fit. 8 x compr. fit. 10 x compr. fit. 8 series L
compr. fit. 10 x compr. fit. 8 x compr. fit. 10 series L

Shop packaging

T-shape reducing compression fitting type TR with coupling nut type M and olive type D

compr. fit. 10 x compr. fit. 8 x compr. fit. 10 series L

Other versions, connections or dimensions on request.

Part no. € / 1 pc.

07 748 00 16.88
07 763 00 14.77

67 763 00 16.37

Caravan and motor caravan



Straight screw-in compression fitting conical type GERK

Part no.

€/ 1 pc.

DIN 2353 - type B with conical screwed plug DIN 3852-2 type C

Note

- Compression fittings with conical male thread R for parallel female thread Rp may only be screwed into components made of materials that are sufficiently ductile (e.g. steel, brass or aluminium).

Straight screw-in compression fitting conical type GERK with coupling nut type M and olive type D

compr. fit. 8 x R 1/2 M series L

07 794 00

4.39

Shop packaging

Straight screw-in compression fitting conical type GERK with coupling nut type M and olive type D

compr. fit. 8 x R 1/2 M series L

67 794 00

5.99

Other versions, connections or dimensions on request.



Elbow screw-in compression fitting conical type WERK

Part no.

€/ 1 pc.

DIN 2353 - type G with conical screwed plug DIN 3852-2 - type C

Note

- Compression fittings with conical male thread R for parallel female thread Rp may only be screwed into components made of materials that are sufficiently ductile (e.g. steel, brass or aluminium).

Elbow screw-in compression fitting conical type WERK with coupling nut type M and olive type D

compr. fit. 8 x R 1/2 M series L

07 051 00

17.26

Shop packaging

Elbow screw-in compression fitting conical type WERK with coupling nut type M and olive type D

compr. fit. 8 x R 1/2 M series L

67 051 00

18.86

Other versions, connections or dimensions on request.



Straight screw-on compression fitting type GAI

Part no.

€/ 1 pc.

one side compression fitting, other side female pipe thread tapped hole
DIN 3852-2 - type Y without counterbore, short version

Straight screw-on compression fitting type GAI with coupling nut type M and olive type D

compr. fit. 8 x G 1/2 F series L

07 768 00

5.21

Shop packaging

Straight screw-on compression fitting type GAI with coupling nut type M and olive type D

compr. fit. 8 x G 1/2 F series L

67 768 00

6.81

Other versions, connections or dimensions on request.

Caravan and motor caravan



Elbow screw-on compression fitting type WAI

Part no.

€/ 1 pc.

one side compression fitting, other side female pipe thread tapped hole
DIN 3852-2 - type Y without counterbore, short version

Elbow screw-on compression fitting type WAI with coupling nut type M and olive type D

compr. fit. 8 x G 1/2 F series L

07 780 00

11.57

Shop packaging

Elbow screw-on compression fitting type WAI with coupling nut type M and olive type D

compr. fit. 8 x G 1/2 F series L

67 780 00

13.17

Other versions, connections or dimensions on request.

Straight reducer insert type RED

Part no.

€/ 1 pc.



connection reducer fitting based on EN ISO 8434-1, one side pipe socket with outside diameter, other side compression fitting

Straight reducer insert type RED with coupling nut type M and olive type D

pipe socket 10 x compr. fit. 8 series L

07 223 00

3.79

Shop packaging

Straight reducer insert type RED with coupling nut type M and olive type D

pipe socket 10 x compr. fit. 8 series L

67 223 00

5.39

Other versions, connections or dimensions on request.

Adjustable elbow compression fitting type EVW

Part no.

€/ 1 pc.



compression fitting adjustable in direction, based on EN ISO 8434-1, one side compression fitting, other side pipe socket with outside diameter, 90° elbow

Adjustable elbow compression fitting type EVW with coupling nut type M and olive type D

compr. fit. 8 x pipe socket 8 series L

07 872 00

9.69

compr. fit. 10 x pipe socket 10 series L

07 873 00

9.80

Shop packaging

Adjustable elbow compression fitting type EVW with coupling nut type M and olive type D

compr. fit. 8 x pipe socket 8 series L

67 872 00

11.29

compr. fit. 10 x pipe socket 10 series L

67 873 01

11.40

Other versions, connections or dimensions on request.

Caravan and motor caravan



Straight bulkhead compression fitting type SV

Part no.

€/ 1 pc.

EN ISO 8434-1 - BHSC

Technical data

- Maximum bulkhead thickness: 16 mm

Straight bulkhead compression fitting type SV with coupling nut type M and olive type D

compr. fit. 8 x compr. fit. 8 series L

07 354 00

6.71

compr. fit. 10 x compr. fit. 10 series L

07 355 00

8.85

Shop packaging 

Straight bulkhead compression fitting type SV with coupling nut type M and olive type D

compr. fit. 8 x compr. fit. 8 series L

67 354 00

8.31

compr. fit. 10 x compr. fit. 10 series L

67 355 02

10.45

Other versions, connections or dimensions on request.



Elbow bulkhead compression fitting type WSV

Part no.

€/ 1 pc.

EN ISO 8434-1 - BHEC

Technical data

- Maximum bulkhead thickness: 16 mm

Elbow bulkhead compression fitting type WSV with coupling nut type M and olive type D

compr. fit. 8 x compr. fit. 8 series L

07 371 00

15.22

compr. fit. 10 x compr. fit. 10 series L

07 372 00

21.29

Shop packaging 

Elbow bulkhead compression fitting type WSV with coupling nut type M and olive type D

compr. fit. 8 x compr. fit. 8 series L

67 371 00

16.82

Other versions, connections or dimensions on request.



Caravan and motor caravan

Variant outlet box

Part no.

€/ 1 pc.

for outdoor use or connect an outside shower or connect the vehicle to a water supply. Depending on the version, to connect additional gas equipment, such as a stove, barbecue, lights etc.

The valve can be opened only when the hose assembly is connected.
Quick couplers SKU for gas and water in unmistakable designs.

The different variant outlet boxes are available in the following versions:

Outside connection for LPG

Outside connection for LPG and water

with quick coupler SKU and flip switch (on/off) for submerged pump operation (plug-in connection 6.3 mm)

materials: suitable for drinking water

- brass gas safety coupling and water connection

Outside connection for LPG and water

with quick coupler SKU for pressure pump operation

materials: suitable for drinking water

- brass gas safety coupling and water connection

Outside connection for external water supply

with water regulator

materials: suitable for drinking water

Note

- To install the outlet box on the outside of the vehicle a 155 x 65 mm cutout in the vehicle body is required!

Variant outlet box

Outside connection for LPG

with cylinder lock

gas line: quick coupler x pipe socket 8

21 731 05

98.64

without cylinder lock

gas line: quick coupler x pipe socket 8

21 731 00

82.62

Outside connection for LPG and water

with flip switch

with cylinder lock

gas line: quick coupler x pipe socket 8 / water line: 9/10 mm nozzle x 9/10 mm nozzle

21 733 05

128.20

without cylinder lock

gas line: quick coupler x pipe socket 8 / water line: 9/10 mm nozzle x 9/10 mm nozzle

21 733 00

112.20

without flip switch

with cylinder lock

gas line: quick coupler x pipe socket 8 / water line: 9/10 mm nozzle x 9/10 mm nozzle

21 737 05

120.86

without cylinder lock

gas line: quick coupler x pipe socket 8 / water line: 9/10 mm nozzle x 9/10 mm nozzle

21 737 00

104.86

Outside connection for external water supply

with cylinder lock

plug-in fitting water coupler 1/2 x 9/10 mm nozzle

21 734 05

112.80

without cylinder lock

plug-in fitting water coupler 1/2 x 9/10 mm nozzle

21 734 00

96.08

Accessories

Medium pressure hose assembly rubber PS 10 bar, hose dimensions 6.3 x 3.5 mm,

G 1/4 lh nut x plug-in fitting x 1500 mm

04 224 00

12.26


Hose nozzle compr. fit. 8 x 6 mm

14 468 00

4.08

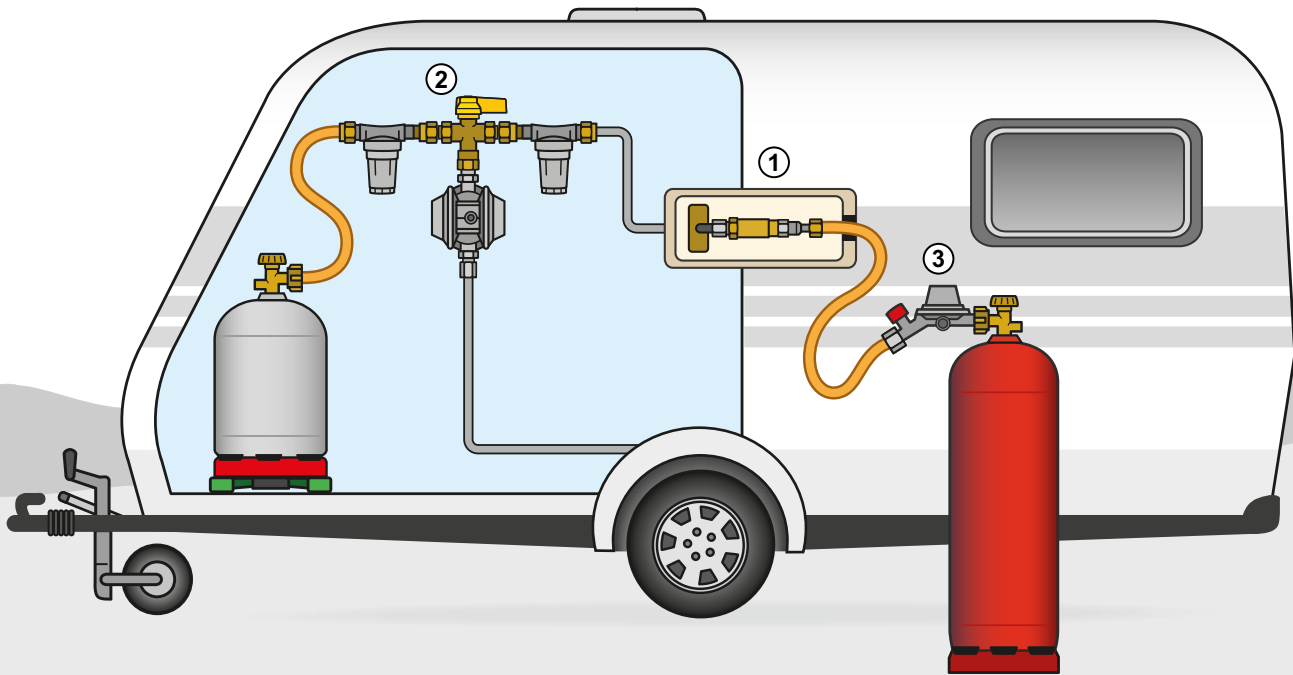


Caravan and motor caravan

Variant outlet box	Part no.	€ / 1 pc.
Shop packaging 		
Variant outlet box		
Outside connection for LPG with cylinder lock		
gas line: quick coupler x pipe socket 8	81 731 03	100.24
without cylinder lock		
gas line: quick coupler x pipe socket 8	81 731 02	84.22
Outside connection for LPG and water with flip switch with cylinder lock		
gas line: quick coupler x pipe socket 8 / water line: 9/10 mm nozzle x 9/10 mm nozzle	81 733 03	129.80
without cylinder lock		
gas line: quick coupler x pipe socket 8 / water line: 9/10 mm nozzle x 9/10 mm nozzle	81 733 06	113.80
without flip switch with cylinder lock		
gas line: quick coupler x pipe socket 8 / water line: 9/10 mm nozzle x 9/10 mm nozzle	81 737 01	122.46
without cylinder lock		
gas line: quick coupler x pipe socket 8 / water line: 9/10 mm nozzle x 9/10 mm nozzle	81 737 00	106.46
Outside connection for external water supply without cylinder lock		
plug-in fitting water coupler 1/2 x 9/10 mm nozzle	81 734 01	97.68
Accessories		
Medium pressure hose assembly rubber PS 10 bar, hose dimensions 6.3 x 3.5 mm, G 1/4 lh nut x plug-in fitting x 1500 mm	64 224 00	14.86



Water regulator	Part no.	€ / 1 pc.
to reduce pressure when an external water supply is connected		
The pressure regulator with integrated non-return valve protects the supply system and the consumer equipment against damage from excess pressure and at the same time prevents water from flowing back to the external water supply.		
Advantages and equipment		
• suitable for drinking water		
Technical data		
• inlet pressure: up to 10.0 bar		
• flow pressure: 1.0 bar		
• static pressure: 1.5 bar		
• capacity: up to 7 l/min		
• connection: plug-in fitting for water coupler 1/2		
Water regulator		
plug-in fitting 1/2 x compr. fit. 8	21 733 20	50.50
plug-in fitting 1/2 x 9/10 mm nozzle	21 733 30	50.50



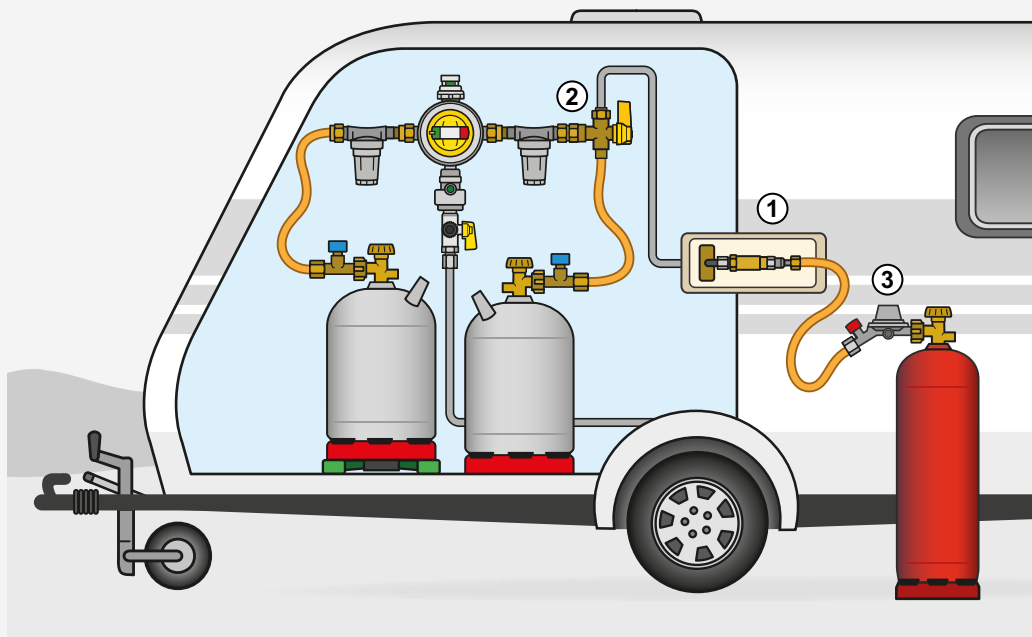
For long-term campers: external LPG feed for single- or two-cylinder systems

An external gas supply to feed LPG to the supply line enables gas equipment to be operated reliably even for long periods.

The connection between the external gas cylinder and the supply line is created quickly and safely via a quick coupler (1).

A manual changeover valve is used to switch from the internal gas system to the external gas supply (2). To do this, the manual changeover valve is installed in front of the low pressure regulator or the regulation system.

To safeguard the external hose assembly an excess flow valve (3) is integrated in the medium pressure regulator.



Caravan and motor caravan



External LPG feed for leisure vehicles

Part no.

€ / 1 pc.

to connect an external gas supply (gas cylinder) for caravans and motor caravans with single- or two-cylinder systems

The connection between the external gas cylinder and the vehicle's supply line is created quickly and safely via a quick coupler.

With the manual changeover valve, you can switch between the internal gas cylinder and the external gas feed.

Advantages and equipment

- medium pressure regulator type M50-F/SBS Komb.W x G 3/8 lh M, 1.5 bar, 1.5 kg/h with 35° outlet and integrated excess flow valve (EFV) with manual opening, blocks the gas supply if the hose is damaged
- combined fitting for optional connection to 5, 11 or 33 kg gas cylinders
- medium pressure hose assembly (rubber with textile lining; cold resistant up to -30 °C; hose dimensions 6.3 x 3.5 mm) G 3/8 lh nut x quick coupler type DKG x 3000 mm
- gas outlet box for installation in the outer wall of the vehicle with plug-in fitting to connect the medium pressure hose assembly; connection to internal supply line pipe socket 8
- the integrated gas non-return valve prevents unwanted escape of gas
- manual changeover valve type MUV compr. fit. 8 x M20 x 1.5 x M20 x 1.5 M for alternating withdrawal from external and internal gas supply
- including MiniTool to connect and disconnect regulators

Note

- The gas regulator in the vehicle must be attached to the wall of the vehicle and have an M20 x 1.5 M inlet connector.
- To install the outlet box on the outside of the vehicle a 155 x 65 mm cutout in the vehicle body is required!

External LPG feed for leisure vehicles

complete

21 735 00

239.90

Caravan and motor caravan



Electronic test device Leak Check LPG PRO

Part no.

€/ 1 pc.

with all the necessary assembly parts for leak testing in LPG systems in recreational vehicles according to DVGW worksheet G 607, ÖVGW worksheet G 107 and EN 1949 and in small water crafts according to DVGW worksheet G 608 and EN ISO 10239.

When the Leak Check LPG PRO is connected to the supply line using the included common fitting, it checks for leaks automatically. After a positive check, a log with the test result is printed, which can be attached to the test certificate of the LPG system. If there is a leak in the supply line, the pump can generate the test pressure continuously, which considerably simplifies searching for the leak.

consisting of:

- 1 x Leak Check LPG PRO including mains adapter and rechargeable battery
- 1 x printer with connection cable and spare paper roll
- 1 x connection hose for test point G 1/4 lh M
- 1 x test hose G 1/4 lh nut x adapter for test point x 750 mm
- 1 x medium pressure hose assembly for LPG lines
- 1 x additional volume vessel 600 cm³
- 1 x hand grip for the test point
- 1 x plug-in fitting STN x pipe socket 8 to connect to quick coupler SKU
- 1 x straight reducer insert type RED pipe socket 8 x compr. fit 10
- 2 x adapters for all common test connections
- 10 x gaskets for outlet nozzle G 1/4 lh M
- 1 x MiniTool to connect and disconnect small cylinder regulators
- 1 x double open-end spanner in each of the following sizes: 10/11; 12/13; 14/15; 17/19 and 20/22
- 1 x system case

Advantages and equipment

- clear operating panel for easy handling
- all necessary parts for testing and assembly in one system case
- efficiently arranged compartments with protective insert
- system case (H/W/D: approx. 230 x 508 x 296 mm) made from high-quality ABS plastic
- the system case is combinable, stackable and connectible e.g. with the camping and caravan or marine assembly case
- self-contained with an efficient rechargeable battery
- test result printed out (long-life paper - keeps up to 10 years, approx. 35 printouts possible per paper roll)
- continuous pump function for leak detection
- automatic zero-point correction when it is switched on

Technical data

- measurement range: 0 to 200 mbar
- pressure resistance: 1000 mbar
- measuring accuracy: ± 2 mbar (in the measurement range 140 to 160 mbar)

Electronic test device Leak Check LPG PRO

for caravan and marine

with leak detector spray can 125 ml

27 105 00

1,336.00

Spare Part

Spare paper roll, long-life / cont. 5 units

27 107 25

5.60

Spare paper roll, long-life / cont. 100 units

27 107 26

57.00

Accessories

Calibration of the test device

58 803 00

64.90

Caravan and motor caravan



Electronic test device Leak Check LPG PRO BT

Part no.

€ / 1 pc.

with all the necessary assembly parts for leak testing in LPG systems in recreational vehicles according to DVGW worksheet G 607, ÖVGW worksheet G 107 and EN 1949 and in small water crafts according to DVGW worksheet G 608 and EN ISO 10239.

The Leak Check LPG PRO BT carries out the required test automatically and transfers the result into an app (Android) installed on a mobile end device by means of Bluetooth.

The tester records the data of the integrated gas equipment/components in the app under the vehicle identification number (VIN). After the test, a test log can be created, saved locally, printed (PDF) or exported.

In the case of a repeat test, already recorded gas equipment/components can be assumed by means of the local memory or by importing the last test log using the QR code.

consisting of:

- 1 x Leak Check LPG PRO including mains adapter and rechargeable battery
- 1 x Bluetooth adapter
- 1 x connection hose for test point G 1/4 lh M
- 1 x test hose G 1/4 lh nut x adapter for test point x 750 mm
- 1 x medium pressure hose assembly for LPG lines
- 1 x additional volume vessel 600 cm³
- 1 x hand grip for the test point
- 1 x plug-in fitting STN x pipe socket 8 to connect to quick coupler SKU
- 1 x straight reducer insert type RED pipe socket 8 x compr. fit 10
- 2 x adapters for all common test connections
- 10 x gaskets for outlet nozzle G 1/4 lh M
- 1 x leak detector spray can 125 ml
- 1 x MiniTool to connect and loosen small cylinder regulators
- 1 x double open-end spanner in each of the following sizes: 10/11; 12/13; 14/15; 17/19 and 20/22
- 1 x system case

Advantages and equipment

- clear operating panel for easy handling
- all necessary parts for testing and assembly in one system case
- efficiently arranged compartments with protective insert
- system case (H/W/D: approx. 230 x 508 x 296 mm) made from high-quality ABS plastic
- the system case is combinable, stackable and connectible e.g. with the camping and caravan or marine assembly case
- self-contained with an efficient rechargeable battery
- continuous pump function for leak detection
- automatic zero-point correction when it is switched on
- the integrated gas equipment/components can be traced using the VIN

Conformity

- CE marking according to RED

Technical data

- measurement range: 0 to 200 mbar
- pressure resistance: 1000 mbar
- measuring accuracy: ± 2 mbar (in the measurement range 140 to 160 mbar)

Electronic test device Leak Check LPG PRO BT for caravan and marine

complete	27 108 00	1,234.00
Accessories		
Calibration of the test device	58 803 00	64.90

Caravan and motor caravan



Test device Leak Check LPG BASIC

Part no.

€/ 1 pc.

with all the necessary assembly parts for leak testing in LPG systems in recreational vehicles according to DVGW worksheet G 607, ÖVGW worksheet G 107 and EN 1949 and in small water crafts according to DVGW worksheet G 608 and EN ISO 10239.

consisting of:

- 1 x leak tester type 150 with pressure limiter
- 1 x test hose for test point
- 1 x medium pressure hose assembly for LPG lines
- 1 x hand grip for the test point
- 1 x stainless steel plug-in fitting STN x pipe socket 8 to connect the test device to the quick coupler SKU
- 1 x straight reducer insert type RED pipe socket 8 x compr. fit 10
- 10 x gaskets for outlet nozzle G 1/4 lh M
- 1 x leak detector spray can 125 ml
- 1 x MiniTool to connect and loosen small cylinder regulators
- 1 x double open-end spanner in each of the following sizes: 10/11; 12/13; 14/15; 17/19 and 20/22
- 1 x system case with carrying strap

Advantages and equipment

- all necessary parts for testing and assembly in one system case
- efficiently arranged compartments with protective insert
- system case (H/W/D: approx. 105 x 396 x 296 mm) made from high-quality ABS plastic
- the system case is combinable, stackable and connectible e.g. with the camping and caravan or marine assembly case

Test device Leak Check LPG BASIC for caravan and marine

complete

27 100 00

402.90

Accessories

Retrofit kit for additional volume vessel 600 cm³

02 611 06

77.30

Camping and caravan assembly case

27 120 00

464.00

Caravan and motor caravan



Electronic pressure regulator test device - Regulator Check LPG PRO

Part no.

€ / 1 pc.

to check the pressure and function of pressure regulators in leisure vehicles and small water crafts

consisting of: electronic test device in transport case, test hose, adapter for testing pressure regulators with compression fitting 8 at the outlet, adapter for testing pressure regulators with test valve and transparent ventilation hose

Advantages and equipment

- control of flow and closing pressure of low pressure regulators
- safe discharge of LPG to the outside by means of a transparent ventilation hose
- no uncontrolled escape of gas through self-closing test valve
- battery-operated test device incl. USB-C interface for charging the appliance
- menu language and display in German and English

Conformity

- CE marking according to EMC

Technical data

- test range: low pressure 0 to 160 mbar

Electronic pressure regulator test device - Regulator Check LPG PRO for caravan and marine

complete

27 130 00

305.00

Spare Part

Adapter G 1/4 lh M x pipe socket 8

14 040 00

2.24

Shop packaging

Spare Part

Adapter G 1/4 lh M x pipe socket 8

74 040 00

3.84

Leak tester type 150Z

Part no.

€ / 1 pc.



to check for leaks in LPG systems in recreational vehicles according to DVGW worksheet G 607, ÖVGW worksheet G 107 and EN 1949 and in small water crafts according to DVGW worksheet G 608 and EN ISO 10239.

consisting of: pressure limiter, test pressure gauge 0 to 250 mbar quality class 1.0 (pressure resistant to 2.5 bar), hand pump, plastic case and additional volume vessel 600 cm³

Advantages and equipment

- for vehicles with a line test volume of less than 700 cm³ the test can be carried out with the additional volume of 600 cm³
- pressure limiter prevents damage to the pressure gauge

Leak tester type 150Z

complete

02 611 10

432.00

Spare Part

Test pressure gauge 0-250 mbar, quality class 1.0

02 616 26

177.00

Pressure gauge gasket

55 211 60

0.80

Additional volume vessel 600 cm³

02 611 40

9.40

Gasket for additional volume

02 611 27

0.80

Gasket for outlet nozzle G 1/4 lh M on the leak tester

02 600 59

0.80

Set consisting of: fitting G 1/4 lh F x G 3/8 lh M and G 1/4 lh F x G 1/2 lh M brass

02 617 22

10.86

Accessories

Test hose G 1/4 lh nut x adapter for test point x 750 mm

02 618 06

18.30

Shop packaging

Spare Part

Test pressure gauge 0-250 mbar, quality class 1.0

62 616 00

179.60

Caravan and motor caravan



Leak tester type 150

Part no.

€ / 1 pc.

to check for leaks in LPG systems in recreational vehicles according to DVGW worksheet G 607, ÖVGW worksheet G 107 and EN 1949 and in small water crafts according to DVGW worksheet G 608 and EN ISO 10239.

consisting of: pressure limiter, test pressure gauge 0 to 250 mbar quality class 1.0 (pressure resistant to 2.5 bar), hand pump, transport bag and two fittings G 1/4 lh F x G 3/8 lh M and G 1/4 lh F x G 1/2 lh M

Advantages and equipment

- pressure limiter prevents damage to the pressure gauge

Leak tester type 150

with hand pump and transport bag

02 611 00

348.00

Spare Part

Test pressure gauge 0-250 mbar, quality class 1.0

02 616 26

177.00

Pressure gauge gasket

55 211 60

0.80

Gasket for outlet nozzle G 1/4 lh M on the leak tester

02 600 59

0.80

Set consisting of: fitting G 1/4 lh F x G 3/8 lh M and G 1/4 lh F x G 1/2 lh M brass

02 617 22

10.86

Accessories

Test hose G 1/4 lh nut x adapter for test point x 750 mm

02 618 06

18.30

Retrofit kit for additional volume vessel 600 cm³

02 611 06

77.30

Additional volume vessel 600 cm³

02 611 40

9.40

Gasket for additional volume

02 611 27

0.80

Leak detector spray can 125 ml

02 601 01

6.60

Shop packaging

Spare Part

Test pressure gauge 0-250 mbar, quality class 1.0

62 616 00

179.60

Function check set

Part no.

€ / 1 pc.



for a simple and fast function check in LPG systems in recreational vehicles according to DVGW worksheet G 607, ÖVGW worksheet G 107 and EN 1949 and in small water crafts according to DVGW worksheet G 608 and EN ISO 10239.

Following the final assembly of the LPG systems at the vehicle manufacturer, the function of the gas equipment as well as the function of the installed low pressure regulator can be checked in one operation.

consisting of: medium pressure regulator type M50-F/SBS KLF x G 3/8 lh M, 2.0 bar, 2 kg/h with 35° outlet and integrated excess flow valve (EFV) with manual opening, medium pressure hose assembly (rubber with textile lining; cold resistant up to -30 °C; hose dimensions 6.3 x 3.5 mm) G 3/8 lh nut x quick coupler type DKG x 2000 mm, Euro filling set D (consisting of filling adapters D1 to D4), plug-in fitting type D1, plug-in fitting x KLF M, plug-in fitting type D1, plug-in fitting x Brit.POL F, plug-in fitting type D1, plug-in fitting x Chin.POL F

Advantages and equipment

- country-specific inlet connectors on the low pressure regulator can be connected to the check set using the adapters (plug-in fitting or Euro filling set D) included in the scope of delivery
- excess flow device prevents gas escape in case of damage or if the hose assembly becomes detached, and blocks the gas flow, as soon as the nominal flow rate is exceeded by 10%

Function check set caravan and marine

complete

27 101 00

258.06

Spare Part

Medium pressure hose assembly rubber PS 10 bar, hose dimensions 6.3 x 3.5 mm, G 3/8 lh nut x quick coupler x 2000 mm

27 101 04

86.90

Euro filling set D, consisting of filling adapters D1 to D4

09 738 00

23.50

Plug-in fitting type D1 plug-in fitting x KLF M

27 101 01

35.70

Plug-in fitting type D1 plug-in fitting x Chin.POL F

27 101 03

51.90

Caravan and motor caravan



Camping and caravan assembly case

Part no.

€ / 1 pc.

containing all the necessary components and spare parts for assembly and maintenance work on LPG systems in caravans and motor caravans according to DVGW worksheet G 607, ÖVGW worksheet G 107 and EN 1949

consisting of:

- 15 x straight compression fitting, type G 8 mm
- 5 x straight compression fitting, type G 10 mm
- 15 x elbow compression fitting, type W 8 mm
- 5 x elbow compression fitting, type W 10 mm
- 5 x T-shape compression fitting, each types T 8 and 10 mm
- 4 x straight reducing compression fitting, type GR 10 x 8 mm
- 4 x straight bulkhead compression fitting, type SV 8 mm
- 5 x elbow bulkhead compression fitting, type WSV 8 mm
- 15 x coupling nut, type M 8 mm
- 10 x coupling nut, type M 10 mm
- 40 x olive type D 8 mm
- 10 x olive type D 10 mm
- 10 x blind plug for distributor valve, each 8 and 10 mm
- 20 x metal pipe clamp with rubber profile, each 8 and 10 mm
- 1 x pre-assembly socket type VOMO, each 8 and 10 mm
- 5 x protective cap for test point
- 1 x system case

Advantages and equipment

- all the components that you need for assembly and maintenance, arranged neatly in one system case
- efficiently arranged compartments
- system case (H/W/D: approx. 82 x 396 x 296 mm) made from high-quality ABS plastic
- the system case is combinable, stackable and connectible e.g. with the test devices Leak Check LPG PRO and BASIC as well as the marine assembly case

Camping and caravan assembly case for LPG systems in leisure vehicles

complete

27 120 00

464.00

Accessories

Electronic test device Leak Check LPG PRO

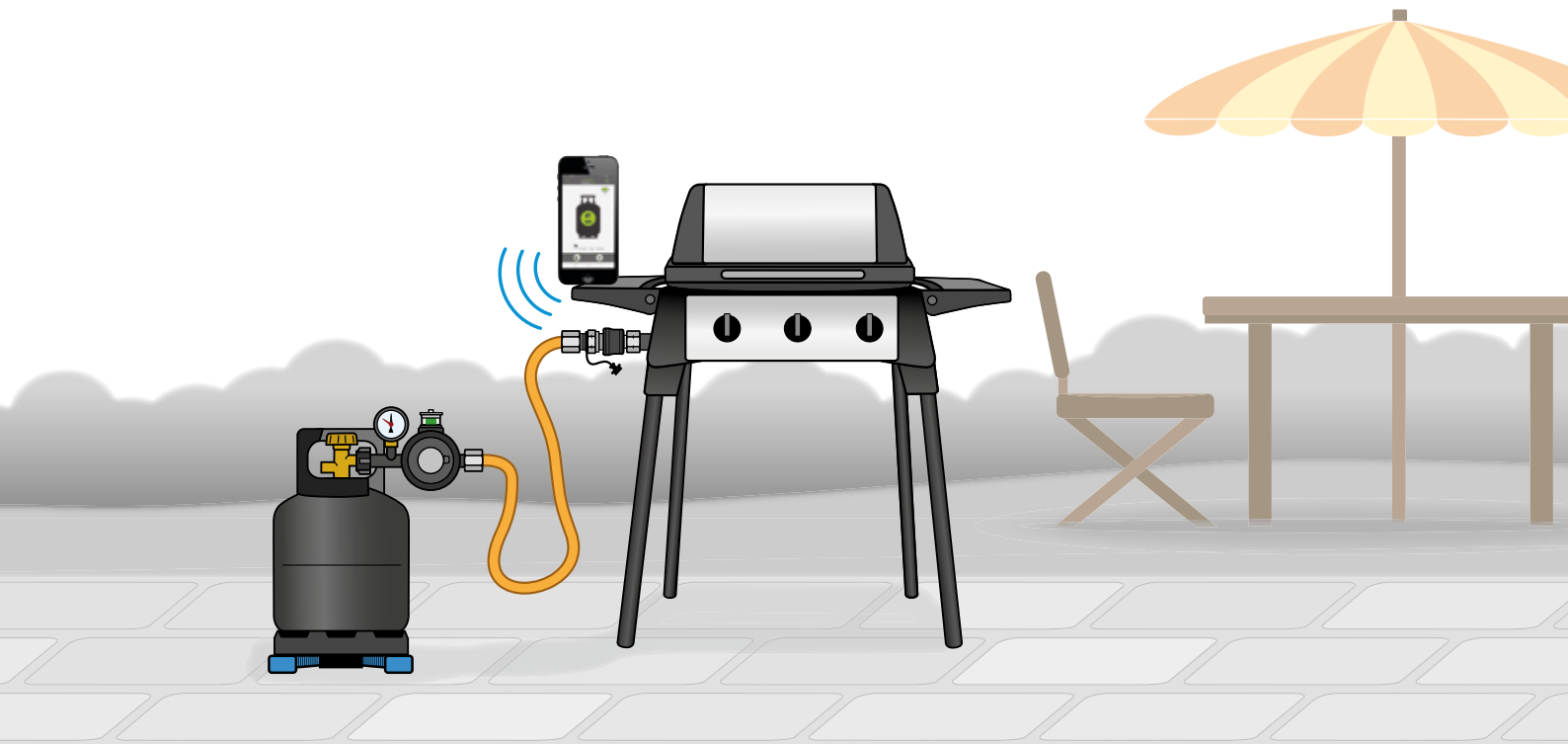
27 105 00

1,336.00

Test device Leak Check LPG BASIC

27 100 00

402.90



Grill & barbecue

Barbecuing with LPG is becoming increasingly popular.

GOK offers a complete product range for barbecue enjoyment, including the special barbecue regulator in black, hose assemblies, excess flow valves as well as a quick coupler for the straightforward, fast and secure connection of hose assemblies to the gas equipment.

This allows lifestyle and safety to be combined in the ideal fashion.

Grill & barbeque

UK
CA CE



Low pressure regulator type EN61-DS

Part no.

€ / 1 pc.

barbecue regulator PRO for connection to gas cylinders, especially for the operation of gas barbecues

Advantages and equipment

- overpressure safety valve S2SR to protect consumer equipment against inadmissible high pressures
- visual indicator (green/red) with optical signal (red) in case of outlet pressures above 80 mbar
- pressure gauge for leak testing e.g. when the cylinder is replaced
- version with extended inlet nozzle, for easy assembly e.g. onto barbecue gas cylinders with collars

Conformity

- EC type examination certificate PED
- EC type examination certificate GAR
- UKCA type examination certificate GAR

Technical data

- maximum permissible pressure: PS 16 bar

Shop packaging 

Low pressure regulator type EN61-DS with pressure gauge

Shell-F x G 1/4 lh M 50 mbar 1.5 kg/h

91 150 11

57.70

Shell-F x G 1/4 lh M 29 mbar 1.5 kg/h

91 150 12

57.70

with extended inlet nozzle, straight outlet with pressure gauge

KLF x G 1/4 lh M 50 mbar 1.5 kg/h

91 150 10

55.30

UK
CA CE



Low pressure regulator type EN61

Part no.

€ / 1 pc.

barbecue regulator BASIC for connection to gas cylinders, especially for the operation of gas barbecues

Conformity

- EC type examination certificate PED
- EC type examination certificate GAR
- UKCA type examination certificate GAR

Technical data

- maximum permissible pressure: PS 16 bar

Shop packaging 

Low pressure regulator type EN61

KLF x G 1/4 lh M 50 mbar 1.5 kg/h

91 115 10

14.50

Shell-F x G 1/4 lh M 50 mbar 1.5 kg/h

91 115 11

16.90

Shell-F x G 1/4 lh M 29 mbar 1.5 kg/h

91 115 12

16.90

Grill & barbeque

NEW

UK CA CE



Low pressure regulator type EN61		Part no.	€ / 1 pc.
with integrated hose protection unit (HPU) For connection to gas cylinders, especially for the operation of gas barbecues.			
Advantages and equipment			
<ul style="list-style-type: none"> with integrated hose protection unit (HPU): <ul style="list-style-type: none"> permanently monitors the connected hose assembly protects against the escape of unburnt LPG automatically closes the gas flow in case of hose rupture or significant leakage 			
Conformity			
<ul style="list-style-type: none"> EC type examination certificate PED and GAR UKCA type examination certificate GAR 			
Technical data			
<ul style="list-style-type: none"> maximum permissible pressure: PS 16 bar 			
Shop packaging			
Low pressure regulator type EN61 with integrated hose protection unit (HPU)			
KLF	x G 1/4 lh M 50 mbar 1.5 kg/h	91 116 10	17.70
KLF	x G 1/4 lh M 37 mbar 1.5 kg/h	91 116 16	17.70
KLF	x G 1/4 lh M 29 mbar 1.5 kg/h	91 116 18	17.70
Shell-F	x G 1/4 lh M 50 mbar 1.5 kg/h	91 116 11	20.10
Shell-F	x G 1/4 lh M 37 mbar 1.5 kg/h	91 116 13	20.10
Shell-F	x G 1/4 lh M 29 mbar 1.5 kg/h	91 116 12	20.10

UK CA CE



Low pressure regulator type EN61V50 adjustable		Part no.	€ / 1 pc.
for connection to gas cylinders to regulate the pressure to the nominal pressure of the gas equipment			
Advantages and equipment			
<ul style="list-style-type: none"> dial for 11 different and reproducible pressure settings 			
Conformity			
<ul style="list-style-type: none"> EC type examination certificate GAR UKCA type examination certificate GAR 			
Technical data			
<ul style="list-style-type: none"> maximum permissible pressure: PS 16 bar 			
Shop packaging			
Low pressure regulator type EN61V50 adjustable			
KLF	x G 1/4 lh M 25-50 mbar 1 kg/h	61 523 00	31.90

UK CA CE



Low pressure regulator type EN61		Part no.	€ / 1 pc.
for connection to Campingaz cylinders and gas cartridges with screw-on thread to regulate the pressure to the nominal pressure of the gas equipment			
Advantages and equipment			
<ul style="list-style-type: none"> with shut-off valve 			
Conformity			
<ul style="list-style-type: none"> EC type examination certificate PED and GAR UKCA type examination certificate GAR 			
Technical data			
<ul style="list-style-type: none"> maximum permissible pressure: PS 16 bar inlet connector for gas cartridges with screw-on thread (7/16-28 UNEF F) 			
Shop packaging			
Low pressure regulator type EN61 for gas cartridges with aluminium handwheel			
cartridge	x G 1/4 lh M 50 mbar 1 kg/h	61 041 07	24.60

Grill & barbeque



Regulator-hose assembly set

Part no.

€/ 1 pc.

for connection to gas cylinders, for the operation of gas equipment

consisting of: Low pressure regulator, medium pressure hose (rubber with textile lining; cold-resistant to -30 °C; hose dimensions 6.3 x 3.5 mm) 1500 mm, quick coupler SKU-QR, plug-in fittings and MiniTool

Advantages and equipment

- a special device makes the SKU-QR quick coupler tamperproof – decoupling is only possible with the standardised STN plug-in fitting
- the gas flow is shut off upon the decoupling of the hose assembly
- the ergonomic and non-slip handle makes the SKU-QR quick coupler easy to hold in the hand and enables easy coupling and/or decoupling
- including three plug-in fittings STN with the following connections:
 - plug-in fitting x G 1/4 lh nut
 - plug-in fitting x compr. fit. 8
 - plug-in fitting x 5/8 UNF-nut
- version with low pressure regulator type EN 61-DS with overpressure safety device S2SR for the protection of consumer equipment against inadmissible high pressure
- version with low pressure regulator type EN 61-DS with visual indicator (green/red) with optical signal (red) in case of outlet pressures above 80 mbar

Conformity

- single fittings with DIN-DVGW and/or DVGW [German Association of Gas and Water] type test certificate or EU type examination certificate GGV

Technical data

- maximum permissible pressure: PS 16 bar

Note

- The SKU-QR quick coupler does not serve as a permanent shut-off device, but must always be used in connection with a shut-off valve (e.g. the cylinder valve).

Shop packaging

Regulator-hose assembly set

with low pressure regulator type EN 61 DS

KLF x quick coupler and 3 x plug-in fitting 50 mbar 1,5 kg/h

62 038 05

88.90

with low pressure regulator type EN 61

KLF x quick coupler and 3 x plug-in fitting 50 mbar 1,5 kg/h

62 038 00

47.90

Accessories

Plug-in fitting x G 1/4 lh nut

62 447 12

4.66

Plug-in fitting x compr. fit. 8

62 447 10

5.88

Plug-in fitting x pipe socket 8, assembled coupling nut type M and olive type D

62 447 11

5.36

Plug-in fitting x G 5/8 UNF-nut

62 447 13

5.38

Grill & barbeque

Regulator-hose assembly set

Part no.

€ / 1 pc.

for connection to gas cylinders, for the operation of gas barbecues with a gas cartridge connection

consisting of: medium pressure regulator type M50-F/SBS, 2.0 bar, 2 kg/h with 35° outlet and integrated excess flow valve (EFV) with manual opening, medium pressure hose assembly (rubber with textile lining; cold resistant up to -30 °C; hose dimensions 6.3 x 3.5 mm) G 3/8 lh nut x quick coupler SKU-QR, adapter plug-in fitting STN

Advantages and equipment

- excess flow device prevents gas escape in case of damage or if the hose assembly becomes detached, and blocks the gas flow, as soon as the nominal flow rate is exceeded by 10%
- adapter with plug-in fitting STN on one side for easy disconnection of the hose assembly
- a special device makes the SKU-QR quick coupler tamperproof – decoupling is only possible with the standardised STN plug-in fitting
- the gas flow is shut off when decoupling
- the ergonomic and non-slip handle makes the SKU-QR quick coupler easy to hold in the hand and enables easy coupling and/or decoupling
- the sealing plug prevents the penetration of dirt particles or insects when the SKU-QR quick coupler is not in use

Conformity

- single fittings with DIN-DVGW and/or DVGW [German Association of Gas and Water] type test certificate or EU type examination certificate GGV

Note

- The gas equipment must have a low pressure regulator for gas cartridges with a connecting thread 7/16-28 UNEF F according to EN 417, 1-20 UNEF F or GAZ.
- The SKU-QR quick coupler does not serve as a permanent shut-off device, but must always be used in connection with a shut-off valve (e.g. the cylinder valve).

Shop packaging

Regulator-hose assembly set for EU gas cartridge equipment with screw-on thread 7/16-28 UNEF M

KLF x cartridge M x 1200 mm

62 038 11 68.30

Shell-F x cartridge M x 1200 mm

62 038 13 70.70

for US gas cartridge equipment with screw-on thread 1-20 UNEF M

KLF x cartridge M US x 1200 mm

62 038 12 68.30

for Campingaz cylinders with screw-on thread M16 x 1,5 F

KLF x GAZ F x 1200 mm

62 038 01 68.30



Grill & barbeque

Excess flow valve low pressure

Part no.

€/ 1 pc.

for connection to the outlet of the low pressure regulator, for protection of hose assemblies

Advantages and equipment

- prevents gas escape in case the hose assembly is damaged or becomes loose and closes the gas flow when the nominal flow rate is exceeded by 10%
- **automatic excess flow valve SBS/AU:**
opens automatically, which keeps gas leaks to a minimum and means delayed opening in the case of long hose assemblies
- **manual excess flow valve SBS/MA:**
no delay or leakage volume, but manual opening required

Conformity

- EC type examination certificate GAR

Technical data

- maximum permissible pressure: PS 16 bar

Note

- In accordance with the requirements of DGUV Regulation 110-010 (German statutory accident insurance, previously DGUV Regulation 79) hose assemblies longer than 400 mm must be secured with an excess flow valve SBS.
- In accordance with DVGW worksheet G 612, hose assemblies longer than 1500 mm must be secured with an excess flow valve SBS.

Shop packaging

Excess flow valve low pressure

type SBS/AU automatic

coupling nut x male thread

G 1/4 lh nut x G 1/4 lh M 50 mbar 1.5 kg/h

62 850 00

24.20

G 1/4 lh nut x G 1/4 lh M 29 mbar 1.5 kg/h

62 850 02

24.20

type SBS/MA manual

coupling nut x male thread

G 1/4 lh nut x G 1/4 lh M 50 mbar 1.5 kg/h

62 853 02

31.44

G 1/4 lh nut x G 1/4 lh M 29 mbar 1.5 kg/h

62 853 03

31.44



automatic



manual

Grill & barbeque



-30 °C



Medium pressure hose assembly rubber

Part no.

€ / 1 pc.

to connect fittings, consumer equipment and piping

Conformity

- DVGW [German Association of Gas and Water] type test certificate

Technical data

- maximum admissible pressure: PS 10 bar
- hose: **rubber with textile lining**
- cold resistant up to -30 °C

Note

- Our hose assemblies are supplied with a tag and notice of the year of replacement.

Shop packaging

Medium pressure hose assembly rubber

hose dimensions 6.3 x 3.5 mm

connections: coupling nut x coupling nut

G 1/4 lh nut x G 1/4 lh nut x 800 mm

64 407 00

9.44

G 1/4 lh nut x G 1/4 lh nut x 1500 mm

64 455 00

12.12

Other versions, connections or dimensions on request.

Medium pressure hose assembly plastic

Part no.

€ / 1 pc.

to connect fittings, consumer equipment and piping

Conformity

- DVGW [German Association of Gas and Water] type test certificate

Technical data

- maximum admissible pressure: PS 10 bar
- hose: **plastic with textile lining**

Note

- Our hose assemblies are supplied with a tag and notice of the year of replacement.

Shop packaging

Medium pressure hose assembly plastic

hose dimensions 6.3 x 3.5 mm

connections: coupling nut x coupling nut

G 1/4 lh nut x G 1/4 lh nut x 800 mm

64 407 01

7.70

G 1/4 lh nut x G 1/4 lh nut x 1500 mm

64 455 01

9.72

Other versions, connections or dimensions on request.



Grill & barbeque



Quick coupler type SKU-QR

Part no.

€ / 1 pc.

for the quick connection of hose assemblies to gas equipment without the use of tools

Advantages and equipment

- the gas flow is shut off when decoupling
- a special device makes the SKU-QR quick coupler tamperproof – decoupling is only possible with the standardised STN plug-in fitting
- the ergonomic and non-slip handle makes the SKU-QR quick coupler easy to hold in the hand and enables easy coupling and/or decoupling
- the sealing plug prevents the penetration of dirt particles or insects when the SKU-QR quick coupler is not in use

Conformity

- EC type examination certificate GAR

Technical data

- maximum admissible pressure: PS 5 bar
- Handle and sealing plug: temperature resistant up to +110 °C

Note

- The SKU-QR quick coupler does not serve as a permanent shut-off device, but must always be used in connection with a shut-off valve (e.g. the cylinder valve).



Quick coupler type SKU-QR

G 1/4 lh M	x	quick coupler	02 447 03	11.62
compr. fit. 8	x	quick coupler	02 447 00	12.12

Quick coupler set type SKU-QR

G 1/4 lh M	x	quick coupler and plug-in fitting x G 1/4 lh nut	02 447 04	13.66
G 1/4 lh M	x	quick coupler and 2 x plug-in fitting x G 1/4 lh nut	02 447 05	16.72
G 1/4 lh M	x	quick coupler and plug-in fitting x G 1/4 lh nut 90°	02 447 08	18.76
G 1/4 lh M	x	quick coupler and plug-in fitting x socket 8, assembled nut and olive	02 447 07	14.20
G 1/4 lh M	x	quick coupler and plug-in fitting x G 5/8 UNF-nut	02 447 06	14.68
compr. fit. 8	x	quick coupler and plug-in fitting x compr. fit. 8	02 447 01	15.18
compr. fit. 8	x	quick coupler and plug-in fitting x socket 8, assembled nut and olive	02 447 02	14.68

Accessories

Plug-in fitting x G 1/4 lh nut			02 447 12	3.06
Plug-in fitting x G 1/4 lh nut 90°			02 447 27	8.06
Plug-in fitting x compr. fit. 8			02 447 10	4.28
Plug-in fitting x pipe socket 8, assembled coupling nut type M and olive type D			02 447 11	3.76
Plug-in fitting x G 5/8 UNF-nut			02 447 13	3.78

Shop packaging

Quick coupler type SKU-QR

G 1/4 lh M	x	quick coupler	62 447 03	13.22
compr. fit. 8	x	quick coupler	62 447 00	13.72

Quick coupler set type SKU-QR

G 1/4 lh M	x	quick coupler and plug-in fitting x G 1/4 lh nut	62 447 04	15.26
G 1/4 lh M	x	quick coupler and 2 x plug-in fitting x G 1/4 lh nut	62 447 05	18.32
G 1/4 lh M	x	quick coupler and plug-in fitting x G 1/4 lh nut 90°	62 447 08	20.36
G 1/4 lh M	x	quick coupler and plug-in fitting x socket 8, assembled nut and olive	62 447 07	15.80
G 1/4 lh M	x	quick coupler and plug-in fitting x G 5/8 UNF-nut	62 447 06	16.28
compr. fit. 8	x	quick coupler and plug-in fitting x compr. fit. 8	62 447 01	16.78
compr. fit. 8	x	quick coupler and plug-in fitting x socket 8, assembled nut and olive	62 447 02	16.28

Accessories

Plug-in fitting x G 1/4 lh nut			62 447 12	4.66
Plug-in fitting x G 1/4 lh nut 90°			62 447 14	9.66
Plug-in fitting x compr. fit. 8			62 447 10	5.88
Plug-in fitting x pipe socket 8, assembled coupling nut type M and olive type D			62 447 11	5.36
Plug-in fitting x G 5/8 UNF-nut			62 447 13	5.38

Grill & barbeque



Branch valve

Part no.

€/ 1 pc.

for connection to the regulator outlet, so that several pieces of consumer equipment can be connected to one regulator at the same time

Advantages and equipment

- with shut-off device
- to continuously regulate the gas supply for barbecues or stoves, for example

Conformity

- DVGW [German Association of Gas and Water] type test certificate

Technical data

- material: brass
- maximum permissible pressure: PS 16 bar

Note

- Outlets that are not used must be closed with a blind nut.

Shop packaging

Branch valve

G 1/4 lh nut x 2 x G 1/4 lh M

69 706 00

13.12



Control valve 90°

Part no.

€/ 1 pc.

for connection to the regulator outlet for infinitely variable regulation of consumer equipment

Advantages and equipment

- with shut-off device
- to continuously regulate the gas supply for barbecues or stoves, for example

Conformity

- DVGW [German Association of Gas and Water] type test certificate

Technical data

- maximum permissible pressure: PS 16 bar

Shop packaging

Control valve 90°

G 1/4 lh nut x G 1/4 lh M

69 745 00

10.00



Leak detector spray

Part no.

€/ 1 pc.

allows safe and reliable leak detection in pipe systems

Conformity

- DIN DVGW [German Association of Gas and Water] type test certificate

Note

- Because of the German Hazardous Goods Ordinance, we can only deliver the following number of items per package:
Leak detector spray 125 ml / 72 cans
Leak detector spray 400 ml / 24 cans
For larger quantities despatched by mail, shipping costs increase in accordance with the number of packages.
- Foam-forming means for leak detection pursuant to EN 14291.
- Please only store upright.

Shop packaging

Leak detector spray

spray can 125 ml

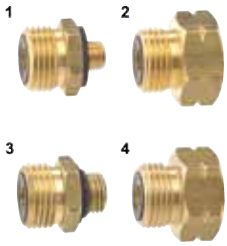
62 601 00

9.20

Grill & barbeque

	Part no.	€ / 1 pc.
 <p>Adapter</p> <p>for use in piping and fittings</p> <p>Shop packaging </p> <p>Adapter female thread x male thread 5/8 UNF F x G 1/4 lh M</p>	62 521 00	7.30
 <p>MiniTool</p> <p>to connect and disconnect small cylinder regulators on the gas cylinder valve with no effort</p> <p>Advantages and equipment</p> <ul style="list-style-type: none"> • suitable for small cylinder connections with wing nuts <p>Technical data</p> <ul style="list-style-type: none"> • material: special polyamide with glass fibre reinforcement (developed for tools) <p>Shop packaging </p> <p>MiniTool individually packed unicoloured, black</p>	81 100 04	7.10
 <p>Regulator bracket</p> <p>for the secure attachment of the pressure regulator to the gas equipment or in the gas locker</p> <p>damage to the pressure regulator, e.g. during transport, is avoided</p> <p>Technical data</p> <ul style="list-style-type: none"> • material: plastic <p>Note</p> <ul style="list-style-type: none"> • The pressure regulator is not included in the scope of delivery! <p>Shop packaging </p> <p>Regulator bracket complete</p>	62 018 00	6.60
 <p>Locking screw</p> <p>as a secure cover to protect against damage or contamination of the inlet connector of pressure regulators or high pressure hose assemblies</p> <p>useful if the connection between the gas cylinders and fittings is disconnected or the gas system is at a standstill for a long period of time</p> <p>Advantages and equipment</p> <ul style="list-style-type: none"> • with fastening clip <p>Technical data</p> <ul style="list-style-type: none"> • material: plastic • male thread: W21.8 x 1/14 lh <p>Note</p> <ul style="list-style-type: none"> • The locking screw must not be used on regulators with a gas non-return valve, such as Caramatic BasicTwo! • The pressure regulator is not included in the scope of delivery! <p>Shop packaging </p> <p>Locking screw for KLF, GF, Kombi and Shell coupling nuts</p>	60 300 92	5.64

Grill & barbeque



Euro set D

for connecting a pressure regulator with a German connection to gas cylinders with common European connections

Accessories

Counter-seal for adapters 1 and 4

Part no.

€ / 1 pc.

09 735 25

0.80

Shop packaging

Euro set D

comprising adapters 1 to 4

69 735 00

25.10



Euro set CH/FR

for connecting a pressure regulator with a Shell-F connection to gas cylinders with common European connections

Shop packaging

Euro set CH/FR

consisting of adapters FR1 to FR4

Part no.

€ / 1 pc.

69 739 00

25.10

Grill & barbeque



(B)

Senso4s BASIC level gauge

Part no.

€ / 1 pc.

with app for smartphones and tablets

Digital level gauge for gas cylinders - e.g. for use on a gas-fired barbecue, with remote Bluetooth transmission of the measurement and message data to a smartphone or tablet.

The Senso4s BASIC level gauge (A) measures the weight of the gas cylinder and transmits this value to the app (B) via Bluetooth. The app automatically calculates the contents and creates a consumption forecast.

Advantages and equipment

- simple installation; switch Bluetooth on, place gas cylinder on the adjustable feet of the Senso4s level gauge, measure and read the values in the app
- suitable for common steel, aluminium and plastic gas cylinders with a filling weight up to 16 kg
- Bluetooth connection between Senso4s and the smartphone / tablet
- app menu language in German, English, French, Italian, Spanish and Slovenian
- recording the parameters for the filling and tare weight of the respective gas cylinder
- use of several gas cylinders of different sizes
- after only a short operating time, the app will determine a long-term forecast of the gas consumption
- if there is a Bluetooth connection, the Senso4s BASIC sends the measurement data to the app at an interval of 15 minutes
- battery status display of the level gauge in the app
- due to its ATEX certification, Senso4s BASIC may also be used in the gas cylinder cases of a mobile home

Conformity

- CE marking according to ATEX, EMC and RED

Technical data

- measuring accuracy: $\pm 1 \%$
- protection type: IP44
- supply voltage: 3 type AAA CR03 1,5 V alkaline batteries (not included in the scope of delivery)

Note

- To ensure an error-free measurement, the Senso4s level gauge must be placed on a flat and firm surface.
- The „Senso4s“ app can be downloaded for free in the Apple App Store or in the Google Play Store for your respective operating system.

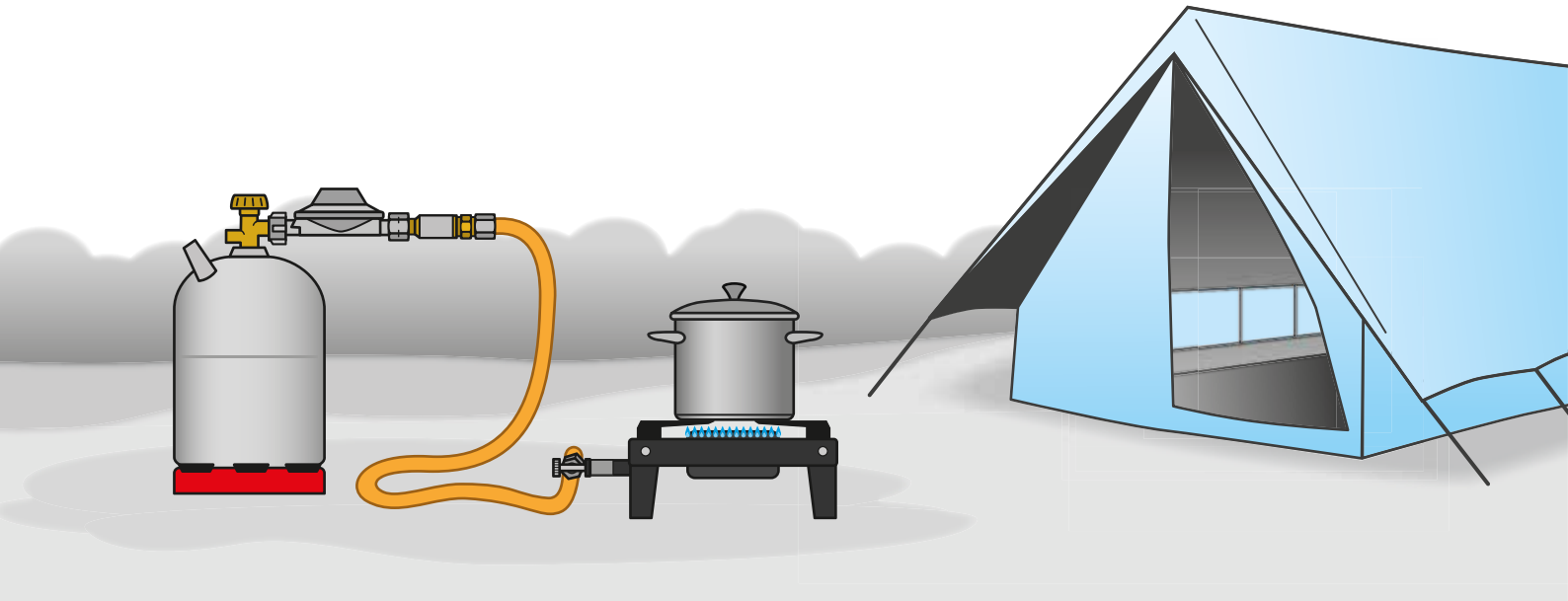
Shop packaging

Senso4s BASIC level gauge

for gas cylinders

91 901 00

50.41



Camping

Whether on the campsite or in the wild, LPG is virtually indispensable for campers. Warm food, heat or light – all produced thanks to propane or butane.

Despite the freedom campers enjoy in the outdoors, there are rules everyone must follow. For example, according to German regulations the supply pressure of gas equipment must be 50 mbar and in the event of a hose length over 1500 mm an excess flow valve must be used.

Camping



Low pressure regulator type EN61

Part no.

€ / 1 pc.

for connection to Campingaz cylinders and gas cartridges with screw-on thread to regulate the pressure to the nominal pressure of the gas equipment

Advantages and equipment

- with shut-off valve

Conformity

- EC type examination certificate PED
- EC type examination certificate GAR
- UKCA type examination certificate GAR

Technical data

- maximum permissible pressure: PS 16 bar
- inlet connector for Campingaz cylinders (M16 x 1.5)
- inlet connector for gas cartridges with screw-on thread (7/16-28 UNEF F)

Low pressure regulator type EN61 for Campingaz cylinders with integrated excess flow device with plastic handwheel

- GAZ x G 1/4 lh M 50 mbar 0.6 kg/h
- GAZ x G 1/4 lh M 29 mbar 0.6 kg/h

- 01 040 00 20.40
- 01 040 03 20.40

without integrated excess flow device

- GAZ x G 1/4 lh M 50 mbar 1 kg/h
- GAZ x G 1/4 lh M 29 mbar 1 kg/h

- 01 041 00 18.90
- 01 043 00 18.90

for gas cartridges with plastic handwheel

- cartridge x G 1/4 lh M 50 mbar 1 kg/h
- cartridge x G 1/4 lh M 29 mbar 1 kg/h

- 01 041 06 22.00
- 01 041 15 22.00

Shop packaging

Low pressure regulator type EN61 for Campingaz cylinders without integrated excess flow device with plastic handwheel

- GAZ x G 1/4 lh M 50 mbar 1 kg/h
- GAZ x G 1/4 lh M 29 mbar 1 kg/h

- 61 041 00 21.50
- 61 043 00 21.50

for gas cartridges with plastic handwheel

- cartridge x G 1/4 lh M 50 mbar 1 kg/h
- cartridge x G 1/4 lh M 29 mbar 1 kg/h

- 61 041 09 24.60
- 61 041 16 24.60



Camping



Low pressure regulator type EN61		Part no.	€ / 1 pc.	
for connection to gas cylinders to regulate the pressure to the nominal pressure of the gas equipment				
Conformity				
<ul style="list-style-type: none"> • EC type examination certificate PED • EC type examination certificate GAR • UKCA type examination certificate GAR 				
Technical data				
• maximum permissible pressure: PS 16 bar				
Low pressure regulator type EN61 straight outlet				
KLF	x G 1/4 lh M 50 mbar	1 kg/h	01 001 00	10.90
KLF	x G 1/4 lh M 29 mbar	1 kg/h	01 001 04	10.90
90° outlet				
KLF	x G 1/4 lh M 50 mbar	1 kg/h	01 001 80	18.90
Shop packaging				
Low pressure regulator type EN61 straight outlet				
KLF	x G 1/4 lh M 50 mbar	1 kg/h	61 001 00	13.50
KLF	x G 1/4 lh M 29 mbar	1 kg/h	61 001 02	13.50

NEW



Low pressure regulator type EN61		Part no.	€ / 1 pc.	
with integrated hose protection unit (HPU)				
For connection to gas cylinders, especially for the operation of gas barbecues.				
Advantages and equipment				
<ul style="list-style-type: none"> • with integrated hose protection unit (HPU): <ul style="list-style-type: none"> • permanently monitors the connected hose assembly • protects against the escape of unburnt LPG • automatically closes the gas flow in case of hose rupture or significant leakage 				
Conformity				
<ul style="list-style-type: none"> • EC type examination certificate PED • EC type examination certificate GAR • UKCA type examination certificate GAR 				
Technical data				
• maximum permissible pressure: PS 16 bar				
Shop packaging				
Low pressure regulator type EN61 with integrated hose protection unit (HPU)				
KLF	x G 1/4 lh M 50 mbar	1.5 kg/h	91 116 10	17.70
KLF	x G 1/4 lh M 37 mbar	1.5 kg/h	91 116 16	17.70
KLF	x G 1/4 lh M 29 mbar	1.5 kg/h	91 116 18	17.70
Shell-F	x G 1/4 lh M 50 mbar	1.5 kg/h	91 116 11	20.10
Shell-F	x G 1/4 lh M 37 mbar	1.5 kg/h	91 116 13	20.10
Shell-F	x G 1/4 lh M 29 mbar	1.5 kg/h	91 116 12	20.10

Camping



Low pressure regulator type EN61V50 adjustable

Part no. € / 1 pc.

for connection to gas cylinders to regulate the pressure to the nominal pressure of the gas equipment

Advantages and equipment

- dial for 11 different and reproducible pressure settings

Conformity

- EC type examination certificate GAR
- UKCA type examination certificate GAR

Technical data

- maximum permissible pressure: PS 16 bar

Low pressure regulator type EN61V50 adjustable

KLF	x	G 1/4 lh M	25-50 mbar	1 kg/h	01 523 00	29.30
-----	---	------------	------------	--------	-----------	-------

Shop packaging

Low pressure regulator type EN61V50 adjustable

KLF	x	G 1/4 lh M	25-50 mbar	1 kg/h	61 523 00	31.90
-----	---	------------	------------	--------	-----------	-------



Low pressure regulator type EN61

Part no. € / 1 pc.

for connection to gas cylinders to regulate the pressure to the nominal pressure of the gas equipment

Advantages and equipment

- with shut-off device

Conformity

- EC type examination certificate PED
- EC type examination certificate GAR
- UKCA type examination certificate GAR

Technical data

- maximum permissible pressure: PS 16 bar

Note

- Outlets that are not used must be closed with a blind nut.

Low pressure regulator type EN61

with 2 outlets

KLF	x	2 x G 1/4 lh M	50 mbar	1 kg/h	01 044 00	30.50
-----	---	----------------	---------	--------	-----------	-------

KLF	x	2 x G 1/4 lh M	29 mbar	1 kg/h	01 044 02	30.50
-----	---	----------------	---------	--------	-----------	-------

with 3 outlets

KLF	x	3 x G 1/4 lh M	50 mbar	1 kg/h	01 046 00	32.50
-----	---	----------------	---------	--------	-----------	-------

KLF	x	3 x G 1/4 lh M	29 mbar	1 kg/h	01 046 03	32.50
-----	---	----------------	---------	--------	-----------	-------

Accessories

Blind nut type BM, G 1/4 lh nut, material: brass	04 002 09	3.14
--	-----------	------

Shop packaging

Low pressure regulator type EN61

with 2 outlets

KLF	x	2 x G 1/4 lh M	50 mbar	1 kg/h	61 044 00	33.10
-----	---	----------------	---------	--------	-----------	-------

KLF	x	2 x G 1/4 lh M	29 mbar	1 kg/h	61 044 05	33.10
-----	---	----------------	---------	--------	-----------	-------

with 3 outlets

KLF	x	3 x G 1/4 lh M	50 mbar	1 kg/h	61 046 00	35.10
-----	---	----------------	---------	--------	-----------	-------

Camping



Regulator-hose assembly set

Part no.

€/ 1 pc.

for connection to gas cylinders, for the operation of gas equipment

consisting of: Low pressure regulator, medium pressure hose (rubber with textile lining; cold-resistant to -30 °C; hose dimensions 6.3 x 3.5 mm) 1500 mm, quick coupler SKU-QR, plug-in fittings and MiniTool

Advantages and equipment

- a special device makes the SKU-QR quick coupler tamperproof – decoupling is only possible with the standardised STN plug-in fitting
- the gas flow is shut off upon the decoupling of the hose assembly
- the ergonomic and non-slip handle makes the SKU-QR quick coupler easy to hold in the hand and enables easy coupling and/or decoupling
- including three plug-in fittings STN with the following connections:
 - plug-in fitting x G 1/4 lh nut
 - plug-in fitting x compr. fit. 8
 - plug-in fitting x 5/8 UNF-nut
- version with low pressure regulator type EN 61-DS with overpressure safety device S2SR for the protection of consumer equipment against inadmissible high pressure
- version with low pressure regulator type EN 61-DS with visual indicator (green/red) with optical signal (red) in case of outlet pressures above 80 mbar

Conformity

- single fittings with DIN-DVGW and/or DVGW [German Association of Gas and Water] type test certificate or EU type examination certificate GGV

Technical data

- maximum permissible pressure: PS 16 bar

Note

- The SKU-QR quick coupler does not serve as a permanent shut-off device, but must always be used in connection with a shut-off valve (e.g. the cylinder valve).

Shop packaging

Regulator-hose assembly set

with low pressure regulator type EN 61 DS

KLF x quick coupler and 3 x plug-in fitting 50 mbar 1,5 kg/h

62 038 05

88.90

with low pressure regulator type EN 61

KLF x quick coupler and 3 x plug-in fitting 50 mbar 1,5 kg/h

62 038 00

47.90

Accessories

Plug-in fitting x G 1/4 lh nut

62 447 12

4.66

Plug-in fitting x compr. fit. 8

62 447 10

5.88

Plug-in fitting x pipe socket 8, assembled coupling nut type M and olive type D

62 447 11

5.36

Plug-in fitting x G 5/8 UNF-nut

62 447 13

5.38

Camping



Gas cylinder valve type CGV

Part no.

€ / 1 pc.

for connection to butane and propane cylinders up to 5 kg filling weight

Advantages and equipment

- with control valve (open - closed)
- safety valve - response pressure 14 bar (butane - blue plug)
- safety valve - response pressure 30 bar (propane - red plug)

Technical data

- housing material: brass

Gas cylinder valve type CGV for butane cylinders

GAZ x KLF M

09 737 01

20.36

GAZ x Shell-F M

09 737 05

22.76

for propane cylinders

GAZ x KLF M

09 737 00

20.36

GAZ x Shell-F M

09 737 04

22.76

Primus x KLF M

09 737 02

27.54

Spare Part

Gasket for GAZ, material: NBR

20 015 29

0.80

Shop packaging 

Gas cylinder valve type CGV for butane cylinders

GAZ x KLF M

69 737 00

21.96

GAZ x Shell-F M

69 737 05

24.36

for propane cylinders

GAZ x KLF M

69 737 04

21.96

GAZ x Shell-F M

69 737 09

24.36

Primus x KLF M

69 737 08

29.14

Spare Part

Gasket for KLF, material: NBR / cont. 5 units

80 016 00

5.60

Camping



Single-cylinder system for small cylinders

Part no.

€/ 1 pc.

for connection to gas cylinders to regulate the pressure to the nominal pressure of the gas equipment

consisting of: low pressure regulator type EN61, medium pressure hose assembly and MiniTool

Advantages and equipment

- set for connecting and retrofitting gas equipment with a non-permanently installed low pressure regulator
- including MiniTool to connect and disconnect small cylinder regulators

Conformity

- single fittings with DIN-DVGW and/or DVGW [German Association of Gas and Water] type test certificate or EU type examination certificate PED
- single fittings with DIN-DVGW and/or DVGW [German Association of Gas and Water] type test certificate or EU type examination certificate GGV

Technical data

- maximum permissible pressure: PS 16 bar

Note

- In Germany, the single-cylinder system with a working pressure of 50 mbar may be used in commercial applications only to operate portable consumer units during construction work!

Shop packaging

Single-cylinder system for small cylinders

hose: rubber with textile lining; cold resistant up to -30 °C

hose dimensions 6.3 x 3.5 mm (length 800 mm)

KLF x G 1/4 lh nut 50 mbar 1.5 kg/h

62 039 05

25.04

KLF x 5/8 UNF nut 50 mbar 1.5 kg/h

62 039 06

27.72

Shell-F x G 1/4 lh nut 50 mbar 1.5 kg/h

62 039 08

27.72

hose: plastic with textile lining

hose dimensions 6.3 x 3.5 mm (length 400 mm)

KLF x G 1/4 lh nut 50 mbar 1.5 kg/h

62 039 00

22.38

Shell-F x G 1/4 lh nut 50 mbar 1.5 kg/h

62 039 07

25.06

Single-cylinder system for small cylinders

Part no.

€/ 1 pc.



for connection to gas cylinders to regulate the pressure to the nominal pressure of the gas equipment

consisting of: low pressure regulator type EN61-DS with overpressure safety valve S2SR, visual indicator, thermal cut-out device „T“, pressure gauge, medium pressure hose assembly (rubber with textile lining; cold resistant up to -30 °C; hose dimensions 6.3 x 3.5 mm) G 1/4 lh nut x G 1/4 lh nut x 400 mm and MiniTool

Advantages and equipment

- set to connect a mobile heater in the interior
- including MiniTool to connect and disconnect small cylinder regulators

Conformity

- single fittings with DIN-DVGW and/or DVGW [German Association of Gas and Water] type test certificate or EU type examination certificate PED
- single fittings with DIN-DVGW and/or DVGW [German Association of Gas and Water] type test certificate or EU type examination certificate GGV

Technical data

- maximum permissible pressure: PS 16 bar

Shop packaging

Single-cylinder system for small cylinders

KLF x G 1/4 lh nut 50 mbar 1.5 kg/h

62 070 00

76.96

Camping



Gas anti-tilt device type KS-40

Part no.

€ / 1 pc.

to protect portable gas equipment with safety pilot, e.g. patio heaters

Advantages and equipment

- shuts off the gas supply if the appliance is at a dangerous angle
- opens automatically when the appliance is upright
- suitable for all portable appliances with safety pilot that are at risk of toppling
- especially suitable for retrofitting existing appliances
- version with vertical outlet for space-saving installation

Conformity

- EC type examination certificate GAR

Technical data

- working pressure: 29 or 50 mbar
- maximum working pressure: 65 mbar
- maximum angle: 40° (in relation to verticality)

Note

- Portable, flueless radiant heaters for outdoor or amply ventilated area use pursuant to EN 14543 are to be equipped with a gas anti-tilt device.

Gas anti-tilt device type KS-40

horizontal outlet

G 1/4 lh nut x G 1/4 lh M

02 845 00

22.74

outlet vertical upward

G 1/4 lh nut x G 1/4 lh M

02 845 01

28.46

Shop packaging

Gas anti-tilt device type KS-40

horizontal outlet

G 1/4 lh nut x G 1/4 lh M

62 845 00

25.34



horizontal outlet



outlet vertical upward

Camping



Control valve 90°

for connection to the regulator outlet for infinitely variable regulation of consumer equipment

Advantages and equipment

- with shut-off device
- to continuously regulate the gas supply for barbecues or stoves, for example

Conformity

- DVGW [German Association of Gas and Water] type test certificate

Technical data

- maximum permissible pressure: PS 16 bar

Control valve 90°

G 1/4 lh nut x G 1/4 lh M

Part no.

€ / 1 pc.

09 745 00

8.40

Shop packaging

Control valve 90°

G 1/4 lh nut x G 1/4 lh M

69 745 00

10.00



Branch valve

for connection to the regulator outlet, so that several pieces of consumer equipment can be connected to one regulator at the same time

Advantages and equipment

- with shut-off device
- to continuously regulate the gas supply for barbecues or stoves, for example

Conformity

- DVGW [German Association of Gas and Water] type test certificate

Technical data

- material: brass
- maximum permissible pressure: PS 16 bar

Note

- Outlets that are not used must be closed with a blind nut.

Branch valve

G 1/4 lh nut x 2 x G 1/4 lh M

09 706 00

10.52

G 1/4 lh nut x 3 x G 1/4 lh M

09 740 00

12.52

Accessories

Blind nut type BM, G 1/4 lh nut, material: brass

04 002 09

3.14

Shop packaging

Branch valve

G 1/4 lh nut x 2 x G 1/4 lh M

69 706 00

13.12

G 1/4 lh nut x 3 x G 1/4 lh M

69 740 00

15.12

Accessories

Blind nut type BM, G 1/4 lh nut, material: brass / cont. 2 units

64 002 02

7.88



Double branch piece

for connection to the regulator outlet, so that several pieces of consumer equipment can be connected to one regulator at the same time

Double branch piece

material: steel, zinc-coated

G 1/4 lh nut x 2 x G 1/4 lh M

Part no.

€ / 1 pc.

09 744 00

9.08

Shop packaging

Double branch piece

material: steel, zinc-coated

G 1/4 lh nut x 2 x G 1/4 lh M

69 744 00

10.68

Camping

Excess flow valve low pressure

Part no.

€/ 1 pc.

for connection to the outlet of the low pressure regulator, for protection of hose assemblies

Advantages and equipment

- prevents gas escape in case the hose assembly is damaged or becomes loose and closes the gas flow when the nominal flow rate is exceeded by 10%
- **automatic excess flow valve SBS/AU:**
opens automatically, which keeps gas leaks to a minimum and means delayed opening in the case of long hose assemblies
- **manual excess flow valve SBS/MA:**
no delay or leakage volume, but manual opening required

Conformity

- EC type examination certificate GAR

Technical data

- maximum permissible pressure: PS 16 bar

Note

- In accordance with the requirements of DGUV Regulation 110-010 (German statutory accident insurance, previously DGUV Regulation 79) hose assemblies longer than 400 mm must be secured with an excess flow valve SBS.
- In accordance with DVGW worksheet G 612, hose assemblies longer than 1500 mm must be secured with an excess flow valve SBS.



automatic



manual

Excess flow valve low pressure

type SBS/AU automatic

coupling nut x male thread

G 1/4 lh nut x G 1/4 lh M 50 mbar 1.5 kg/h

02 850 00

22.60

G 1/4 lh nut x G 1/4 lh M 29 mbar 1.5 kg/h

02 850 01

22.60

type SBS/MA manual

G 1/4 lh nut x G 1/4 lh M 50 mbar 1.5 kg/h

02 853 00

29.84

G 1/4 lh nut x G 1/4 lh M 29 mbar 1.5 kg/h

02 853 09

29.84

Shop packaging

Excess flow valve low pressure

type SBS/AU automatic

coupling nut x male thread

G 1/4 lh nut x G 1/4 lh M 50 mbar 1.5 kg/h

62 850 00

24.20

G 1/4 lh nut x G 1/4 lh M 29 mbar 1.5 kg/h

62 850 02

24.20

type SBS/MA manual

coupling nut x male thread

G 1/4 lh nut x G 1/4 lh M 50 mbar 1.5 kg/h

62 853 02

31.44

G 1/4 lh nut x G 1/4 lh M 29 mbar 1.5 kg/h

62 853 03

31.44

Camping



-30 °C

Medium pressure hose assembly rubber

Part no.

€/ 1 pc.

to connect fittings, consumer equipment and piping

Conformity

- DVGW [German Association of Gas and Water] type test certificate

Technical data

- maximum admissible pressure: PS 10 bar
- hose: **rubber with textile lining**
- cold resistant up to -30 °C

Note

- Our hose assemblies are supplied with a tag and notice of the year of replacement.

Medium pressure hose assembly rubber

hose dimensions 6.3 x 3.5 mm

connections: coupling nut x compression fitting with coupling nut type M and olive type D

G 1/4 lh nut	x	compr. fit. 8	x	400 mm	04 402 00	5.10
G 1/4 lh nut	x	compr. fit. 8	x	450 mm	04 401 02	5.42
G 1/4 lh nut	x	compr. fit. 8	x	600 mm	04 404 00	5.92
G 1/4 lh nut	x	compr. fit. 8	x	750 mm	04 405 01	6.84
G 1/4 lh nut	x	compr. fit. 8	x	800 mm	04 405 00	6.84
G 1/4 lh nut	x	compr. fit. 8	x	1000 mm	04 406 00	7.66
G 1/4 lh nut	x	compr. fit. 8	x	1500 mm	04 408 00	9.60
G 1/4 lh nut	x	compr. fit. 8	x	2000 mm	04 422 00	11.74
G 1/4 lh nut	x	compr. fit. 8	x	3000 mm	04 423 00	16.36
G 1/4 lh nut	x	compr. fit. 10	x	400 mm	04 409 03	7.00
G 1/4 lh nut	x	compr. fit. 10	x	750 mm	04 409 07	8.88
G 1/4 lh nut	x	compr. fit. 10	x	1000 mm	04 409 02	9.74

connections: coupling nut x pipe socket

G 1/4 lh nut	x	pipe socket 8	x	400 mm	04 436 02	6.30
G 1/4 lh nut	x	pipe socket 8	x	800 mm	04 436 09	8.18
G 1/4 lh nut	x	pipe socket 8	x	1000 mm	04 436 00	9.08
G 1/4 lh nut	x	pipe socket 8	x	1500 mm	04 436 06	10.90
G 1/4 lh nut	x	pipe socket 8	x	2000 mm	04 436 10	13.16

connections: coupling nut x coupling nut

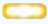
G 1/4 lh nut	x	G 1/4 lh nut	x	400 mm	04 454 02	4.98
G 1/4 lh nut	x	G 1/4 lh nut	x	800 mm	04 407 00	6.84
G 1/4 lh nut	x	G 1/4 lh nut	x	1000 mm	04 454 00	7.64
G 1/4 lh nut	x	G 1/4 lh nut	x	1500 mm	04 455 00	9.52
G 1/4 lh nut	x	G 1/4 lh nut	x	2000 mm	04 456 00	11.84
G 1/4 lh nut	x	G 1/4 lh nut	x	3000 mm	04 457 00	16.36
G 1/4 lh nut	x	G 1/4 lh nut	x	5000 mm	04 457 01	28.32

connections: coupling nut x plug-in fitting

G 1/4 lh nut	x	plug-in fitting	x	400 mm	04 221 00	7.84
G 1/4 lh nut	x	plug-in fitting	x	800 mm	04 222 00	9.52
G 1/4 lh nut	x	plug-in fitting	x	1000 mm	04 223 00	10.58
G 1/4 lh nut	x	plug-in fitting	x	1500 mm	04 224 00	12.26
G 1/4 lh nut	x	plug-in fitting	x	2000 mm	04 225 00	14.48
G 1/4 lh nut	x	plug-in fitting	x	3000 mm	04 227 00	19.10
G 1/4 lh nut	x	plug-in fitting	x	5000 mm	04 227 05	31.08



Camping

Medium pressure hose assembly rubber	Part no.	€/ 1 pc.
Shop packaging 		
Medium pressure hose assembly rubber		
hose dimensions 6.3 x 3.5 mm		
connections: coupling nut x compression fitting		
with coupling nut type M and olive type D		
G 1/4 lh nut x compr. fit. 8 x 400 mm	64 402 00	7.70
G 1/4 lh nut x compr. fit. 8 x 450 mm	64 401 04	8.02
G 1/4 lh nut x compr. fit. 8 x 600 mm	64 404 00	8.52
G 1/4 lh nut x compr. fit. 8 x 750 mm	64 405 01	9.44
G 1/4 lh nut x compr. fit. 8 x 800 mm	64 405 00	9.44
G 1/4 lh nut x compr. fit. 8 x 1000 mm	64 406 00	10.26
G 1/4 lh nut x compr. fit. 8 x 1500 mm	64 408 00	12.20
G 1/4 lh nut x compr. fit. 8 x 2000 mm	64 422 00	14.34
G 1/4 lh nut x compr. fit. 8 x 3000 mm	64 423 01	18.96
G 1/4 lh nut x compr. fit. 10 x 400 mm	64 409 00	9.60
G 1/4 lh nut x compr. fit. 10 x 750 mm	64 409 02	11.48
G 1/4 lh nut x compr. fit. 10 x 1000 mm	64 409 07	12.34
connections: coupling nut x pipe socket		
G 1/4 lh nut x pipe socket 8 x 400 mm	64 436 03	8.90
connections: coupling nut x coupling nut		
G 1/4 lh nut x G 1/4 lh nut x 400 mm	64 454 08	7.58
G 1/4 lh nut x G 1/4 lh nut x 800 mm	64 407 00	9.44
G 1/4 lh nut x G 1/4 lh nut x 1000 mm	64 454 00	10.24
G 1/4 lh nut x G 1/4 lh nut x 1500 mm	64 455 00	12.12
G 1/4 lh nut x G 1/4 lh nut x 2000 mm	64 456 00	14.44
G 1/4 lh nut x G 1/4 lh nut x 3000 mm	64 457 00	18.96
G 1/4 lh nut x G 1/4 lh nut x 5000 mm	64 457 03	29.92
G 3/8 lh nut x G 3/8 lh nut x 450 mm	64 505 11	15.47
connections: coupling nut x plug-in fitting		
G 1/4 lh nut x plug-in fitting x 400 mm	64 221 01	10.44
G 1/4 lh nut x plug-in fitting x 800 mm	64 222 00	12.12
G 1/4 lh nut x plug-in fitting x 1000 mm	64 223 00	13.18
G 1/4 lh nut x plug-in fitting x 1500 mm	64 224 00	14.86
G 1/4 lh nut x plug-in fitting x 2000 mm	64 225 00	17.08
G 1/4 lh nut x plug-in fitting x 3000 mm	64 227 01	21.70
G 1/4 lh nut x plug-in fitting x 5000 mm	64 227 00	32.68
Other versions, connections or dimensions on request.		

Camping



-30 °C



Medium pressure hose assembly rubber

Part no.

€/ 1 pc.

to connect fittings with a gas BBQ, such as from the Outdoorchef series

Technical data

- maximum admissible pressure: PS 10 bar
- hose: **rubber with textile lining**
- cold resistant up to -30 °C

Note

- Our hose assemblies are supplied with a tag and notice of the year of replacement.

Medium pressure hose assembly rubber

hose dimensions 6.3 x 3.5 mm

connections: coupling nut x coupling nut

G 1/4 lh nut x 5/8 UNF nut x 800 mm

04 508 04

9.52

G 1/4 lh nut x 5/8 UNF nut x 1000 mm

04 508 10

10.40

Shop packaging 

Medium pressure hose assembly rubber

hose dimensions 6.3 x 3.5 mm

connections: coupling nut x coupling nut

G 1/4 lh nut x 5/8 UNF nut x 1000 mm

64 508 00

13.00

Other versions, connections or dimensions on request.

Camping

Medium pressure hose assembly plastic

Part no.

€/ 1 pc.

to connect fittings, consumer equipment and piping

Conformity

- DVGW [German Association of Gas and Water] type test certificate

Technical data

- maximum admissible pressure: PS 10 bar
- hose: **plastic with textile lining**

Note

- Our hose assemblies are supplied with a tag and notice of the year of replacement.

Medium pressure hose assembly plastic

hose dimensions 6.3 x 3.5 mm

with coupling nut type M and olive type D

G 1/4 lh nut	x	compr. fit. 8	x	400 mm	04 402 30	4.08
G 1/4 lh nut	x	compr. fit. 8	x	500 mm	04 403 30	4.40
G 1/4 lh nut	x	compr. fit. 8	x	750 mm	04 405 31	6.12
G 1/4 lh nut	x	compr. fit. 8	x	800 mm	04 405 30	5.10
G 1/4 lh nut	x	compr. fit. 8	x	1000 mm	04 406 30	5.72
G 1/4 lh nut	x	compr. fit. 8	x	1500 mm	04 408 30	7.14
G 1/4 lh nut	x	compr. fit. 8	x	3000 mm	04 423 30	12.06
G 1/4 lh nut	x	compr. fit. 10	x	400 mm	04 409 31	5.92
G 1/4 lh nut	x	compr. fit. 10	x	800 mm	04 409 33	7.10
G 1/4 lh nut	x	compr. fit. 10	x	1000 mm	04 409 35	7.74

connections: coupling nut x male thread

G 1/4 lh nut	x	G 1/4 lh M	x	2000 mm	04 660 00	9.90
G 1/4 lh nut	x	G 1/4 lh M	x	3000 mm	04 661 00	13.26

connections: coupling nut x coupling nut

G 1/4 lh nut	x	G 1/4 lh nut	x	400 mm	04 454 34	4.18
G 1/4 lh nut	x	G 1/4 lh nut	x	800 mm	04 407 30	5.10
G 1/4 lh nut	x	G 1/4 lh nut	x	1000 mm	04 454 30	5.66
G 1/4 lh nut	x	G 1/4 lh nut	x	1500 mm	04 455 30	7.12
G 1/4 lh nut	x	G 1/4 lh nut	x	2000 mm	04 456 30	8.64
G 1/4 lh nut	x	G 1/4 lh nut	x	3000 mm	04 457 30	11.80
G 1/4 lh nut	x	G 1/4 lh nut	x	5000 mm	04 458 30	17.86

Shop packaging

Medium pressure hose assembly plastic

hose dimensions 6.3 x 3.5 mm

with coupling nut type M and olive type D

G 1/4 lh nut	x	compr. fit. 8	x	400 mm	64 402 02	6.68
G 1/4 lh nut	x	compr. fit. 8	x	800 mm	64 405 03	7.70
G 1/4 lh nut	x	compr. fit. 8	x	1000 mm	64 406 02	8.32
G 1/4 lh nut	x	compr. fit. 8	x	1500 mm	64 408 02	9.74
G 1/4 lh nut	x	compr. fit. 8	x	3000 mm	64 423 00	14.66
G 1/4 lh nut	x	compr. fit. 10	x	400 mm	64 409 09	8.52

connections: coupling nut x male thread

G 1/4 lh nut	x	G 1/4 lh M	x	3000 mm	64 661 00	15.86
--------------	---	------------	---	---------	-----------	-------

connections: coupling nut x coupling nut

G 1/4 lh nut	x	G 1/4 lh nut	x	400 mm	64 454 03	6.78
G 1/4 lh nut	x	G 1/4 lh nut	x	800 mm	64 407 01	7.70
G 1/4 lh nut	x	G 1/4 lh nut	x	1000 mm	64 454 02	8.26
G 1/4 lh nut	x	G 1/4 lh nut	x	1500 mm	64 455 01	9.72
G 1/4 lh nut	x	G 1/4 lh nut	x	2000 mm	64 456 01	11.24
G 1/4 lh nut	x	G 1/4 lh nut	x	3000 mm	64 457 01	14.40
G 1/4 lh nut	x	G 1/4 lh nut	x	5000 mm	64 458 00	19.46

Other versions, connections or dimensions on request.



Camping



Quick coupler type SKU-QR

Part no.

€ / 1 pc.

for the quick connection of hose assemblies to gas equipment without the use of tools

Advantages and equipment

- the gas flow is shut off when decoupling
- a special device makes the SKU-QR quick coupler tamperproof – decoupling is only possible with the standardised STN plug-in fitting
- the ergonomic and non-slip handle makes the SKU-QR quick coupler easy to hold in the hand and enables easy coupling and/or decoupling
- the sealing plug prevents the penetration of dirt particles or insects when the SKU-QR quick coupler is not in use

Conformity

- EC type examination certificate GAR

Technical data

- maximum admissible pressure: PS 5 bar
- Handle and sealing plug: temperature resistant up to +110 °C

Note

- The SKU-QR quick coupler does not serve as a permanent shut-off device, but must always be used in connection with a shut-off valve (e.g. the cylinder valve).



Quick coupler type SKU-QR

G 1/4 lh M	x	quick coupler	02 447 03	11.62
compr. fit. 8	x	quick coupler	02 447 00	12.12

Quick coupler set type SKU-QR

G 1/4 lh M	x	quick coupler and plug-in fitting x G 1/4 lh nut	02 447 04	13.66
G 1/4 lh M	x	quick coupler and 2 x plug-in fitting x G 1/4 lh nut	02 447 05	16.72
G 1/4 lh M	x	quick coupler and plug-in fitting x G 1/4 lh nut 90°	02 447 08	18.76
G 1/4 lh M	x	quick coupler and plug-in fitting x socket 8, assembled nut and olive	02 447 07	14.20
G 1/4 lh M	x	quick coupler and plug-in fitting x G 5/8 UNF-nut	02 447 06	14.68
compr. fit. 8	x	quick coupler and plug-in fitting x compr. fit. 8	02 447 01	15.18
compr. fit. 8	x	quick coupler and plug-in fitting x socket 8, assembled nut and olive	02 447 02	14.68

Accessories

Plug-in fitting x G 1/4 lh nut			02 447 12	3.06
Plug-in fitting x G 1/4 lh nut 90°			02 447 27	8.06
Plug-in fitting x compr. fit. 8			02 447 10	4.28
Plug-in fitting x pipe socket 8, assembled coupling nut type M and olive type D			02 447 11	3.76
Plug-in fitting x G 5/8 UNF-nut			02 447 13	3.78

Shop packaging

Quick coupler type SKU-QR

G 1/4 lh M	x	quick coupler	62 447 03	13.22
compr. fit. 8	x	quick coupler	62 447 00	13.72

Quick coupler set type SKU-QR

G 1/4 lh M	x	quick coupler and plug-in fitting x G 1/4 lh nut	62 447 04	15.26
G 1/4 lh M	x	quick coupler and 2 x plug-in fitting x G 1/4 lh nut	62 447 05	18.32
G 1/4 lh M	x	quick coupler and plug-in fitting x G 1/4 lh nut 90°	62 447 08	20.36
G 1/4 lh M	x	quick coupler and plug-in fitting x socket 8, assembled nut and olive	62 447 07	15.80
G 1/4 lh M	x	quick coupler and plug-in fitting x G 5/8 UNF-nut	62 447 06	16.28
compr. fit. 8	x	quick coupler and plug-in fitting x compr. fit. 8	62 447 01	16.78
compr. fit. 8	x	quick coupler and plug-in fitting x socket 8, assembled nut and olive	62 447 02	16.28

Accessories

Plug-in fitting x G 1/4 lh nut			62 447 12	4.66
Plug-in fitting x G 1/4 lh nut 90°			62 447 14	9.66
Plug-in fitting x compr. fit. 8			62 447 10	5.88
Plug-in fitting x pipe socket 8, assembled coupling nut type M and olive type D			62 447 11	5.36
Plug-in fitting x G 5/8 UNF-nut			62 447 13	5.38

Camping



Gas cooker

Part no.

€ / 1 pc.

for cooking with LPG

Advantages and equipment

- with safety pilot

Conformity

- EC type examination certificate GAR

Technical data

- working pressure: 50 mbar
- appliance connection: pipe socket 8
- colour: housing and cover: white-enamelled
- dimensions:
 - 1 flame: H/W/D: 120 x 300 x 300 mm
 - 2 flame: H/W/D: 130 x 495 x 300 mm
 - 3 flame: H/W/D: 105 x 600 x 300 mm

Gas cooker

1 flame 2.7 kW

cooking grill chrome-plated

21 001 00

142.00

2 flame 3.5 kW

cooking grill chrome-plated

21 002 00

249.00

cooking grill black

21 002 06

239.00

3 flame 4.2 kW

cooking grill chrome-plated

21 003 00

303.00



Camping stove

Part no.

€ / 1 pc.

for cooking with LPG

Advantages and equipment

- with safety pilot

Conformity

- EC type examination certificate GAR

Technical data

- burner material: grey cast iron
- working pressure: 50 mbar
- appliance connection: pipe socket 8
- small version:
 - nominal thermal output: 2.5 kW
 - housing and stand material: grey cast iron
 - dimensions H/W/D: 100 x 250 x 250 mm
- large version:
 - nominal thermal output: 8.8 kW
 - housing and stand material: steel, painted
 - dimensions H/W/D: 200 x 390 x 390 mm

Camping stove

small version, 2.5 kW

21 010 00

176.50

large version, 8.8 kW

21 011 00

259.10

Camping



Gas cartridge

Part no.

€ / 1 pc.

for the supply of gas cartridge equipment with LPG (butane)

Advantages and equipment

- internal mechanism to limit gas leakage pursuant to EN 417:2012

Technical data

- pressure: at +15.5 °C = 2.7 bar
at +50.0 °C = 7.5 bar
- can tested up to 15.0 bar
- hazardous goods number: UN 2037

Note

- Because of the German Hazardous Goods Ordinance, we can only deliver 30 items per package. For larger quantities despatched by mail, shipping costs increase in accordance with the number of packages.
- Delivery only within Germany.

Gas cartridge

content 190 g butane

21 390 00

3.36



Soldering gun

Part no.

€ / 1 pc.

powerful, handy soldering gun for warming, burning and melting

Advantages and equipment

- with piezo ignition
- particularly suitable for repairing, installing and handicraft

Technical data

- burning time: approx. 2.5 hours

Note

- Gas cartridge 190 g (part no. 21 390 00) is not included in the scope of delivery!

Soldering gun

complete

21 320 00

45.90

Accessories

Gas cartridge / content: 190 g butane

21 390 00

3.36

Camping



(B)

Senso4s BASIC level gauge

Part no.

€ / 1 pc.

with app for smartphones and tablets

Digital level gauge for gas cylinders - e.g. for use on a gas-fired barbecue, with remote Bluetooth transmission of the measurement and message data to a smartphone or tablet.

The Senso4s BASIC level gauge (A) measures the weight of the gas cylinder and transmits this value to the app (B) via Bluetooth. The app automatically calculates the contents and creates a consumption forecast.

Advantages and equipment

- simple installation; switch Bluetooth on, place gas cylinder on the adjustable feet of the Senso4s level gauge, measure and read the values in the app
- suitable for common steel, aluminium and plastic gas cylinders with a filling weight up to 16 kg
- Bluetooth connection between Senso4s and the smartphone / tablet
- app menu language in German, English, French, Italian, Spanish and Slovenian
- recording the parameters for the filling and tare weight of the respective gas cylinder
- use of several gas cylinders of different sizes
- after only a short operating time, the app will determine a long-term forecast of the gas consumption
- if there is a Bluetooth connection, the Senso4s BASIC sends the measurement data to the app at an interval of 15 minutes
- battery status display of the level gauge in the app
- due to its ATEX certification, Senso4s BASIC may also be used in the gas cylinder cases of a mobile home

Conformity

- CE marking according to ATEX, EMC and RED

Technical data

- measuring accuracy: ± 1 %
- protection type: IP44
- supply voltage: 3 type AAA CR03 1,5 V alkaline batteries (not included in the scope of delivery)

Note

- To ensure an error-free measurement, the Senso4s level gauge must be placed on a flat and firm surface.
- The „Senso4s“ app can be downloaded for free in the Apple App Store or in the Google Play Store for your respective operating system.

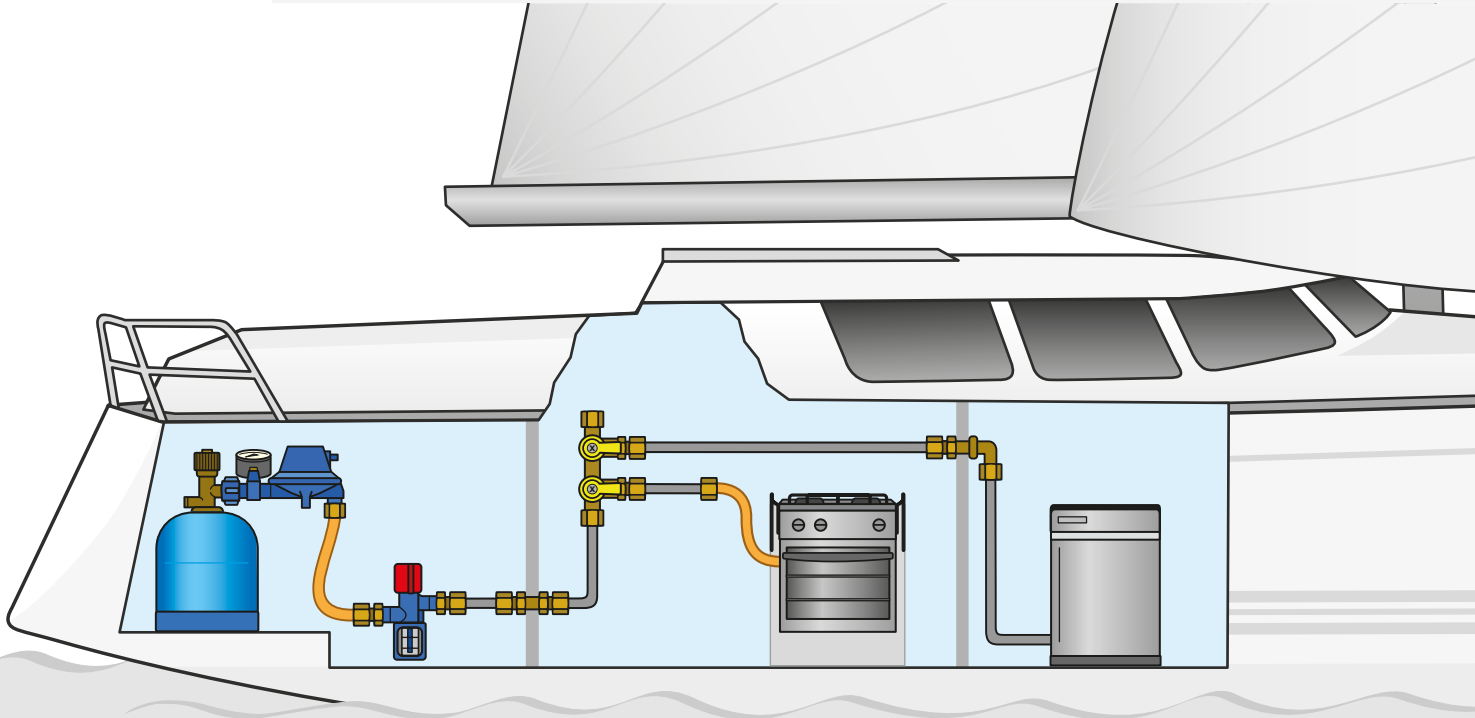
Shop packaging

Senso4s BASIC level gauge

for gas cylinders

91 901 00

50.41



Marine Line

LPG systems on boats are standardised in EN ISO 10239. This standard takes account of extreme stresses, such as corrosion, low and high temperatures and strong movement of the boat.

We have implemented these requirements in our product selection for marine applications. In particular, corrosion protection plays a significant role. Therefore, we have used stainless steel or brass as materials. Other metals are protected by a particularly high-quality painting process.

Information about using low pressure regulators for marine applications

- In the German DVGW worksheet G 608 “Small water crafts – Operating and testing the LPG system”, it is prescribed that pressure regulators and hose assemblies are to be replaced with new ones six years after the date of manufacture at the latest.
- If the working pressure of the system is 30 mbar, pursuant to G 608 a pressure regulator according to EN 16129, annex M (e.g. part no. 01 280 14) is to be used in the event of a replacement.
- For LPG systems in boats with a working pressure of 50 mbar, a non-compliance permit applies. There is no obligation to convert to 30 mbar.
- For LPG systems pursuant to EN ISO 10239, pressure regulators with a pressure gauge or installation of a leak tester are prescribed.

Marine Line

Caramatic BasicTwo

Part no.

€ / 1 pc.



automatic regulator changeover, for connection to gas cylinders to regulate the pressure to the nominal pressure of the gas equipment

consisting of: central (A) and changeover regulator (B), pressure gauge and hose assemblies

Advantages and equipment

- with pressure relief valve PRV
- corrosion resistant in accordance with EN 16129, annex M
- fitted with an adapter to connect 10 mm piping
- gas non-return valve: prevents the escape of gas when the cylinder is replaced
- medium pressure hose assembly (rubber with textile lining; cold resistant up to -30 °C; hose dimensions 6.3 x 3.5 mm) G 3/8 lh nut x G 3/8 lh nut x 400 mm to connect the two regulators, brass connections, stainless steel compressive sleeves
- medium pressure hose assembly (rubber with textile lining; cold resistant up to -30 °C; hose dimensions 6.3 x 3.5 mm) G 1/4 lh nut x compr. fit. 8 x 400 mm to connect the system to the piping, brass connections, stainless steel compressive sleeves
- suitable for connection of the remote display Caramatic BasicControl
- combined fitting for optional connection to 5, 11 or 33 kg gas cylinders
- including MiniTool to connect and disconnect regulators

Conformity

- single fittings with DIN-DVGW and/or DVGW [German Association of Gas and Water] type test certificate or EU type examination certificate PED

Technical data

- maximum permissible pressure: PS 16 bar
- connections: inlet: Komb.W
outlet: central regulator: G 1/4 lh M
changeover regulator: G 3/8 lh M
- outlet pressure: central regulator: 30 or 50 mbar
changeover regulator: 150 mbar

Shop packaging

Caramatic BasicTwo

30 mbar 1.5 kg/h

71 218 02

131.00

50 mbar 1.5 kg/h

71 218 01

131.00

Accessories

medium pressure hose assembly rubber PS 10 bar, hose dimensions 6.3 x 3.5 mm, G 1/4 lh nut x compr. fit. 8 x 400 mm, brass parts

04 440 01

12.38

medium pressure hose assembly rubber PS 10 bar, hose dimensions 6.3 x 3.5 mm, G 3/8 lh nut x G 3/8 lh nut x 400 mm, brass parts

04 504 01

14.94

medium pressure hose assembly rubber PS 10 bar, hose dimensions 6.3 x 3.5 mm, G 1/4 lh nut x compr. fit. 8 x 400 mm, brass parts

64 440 02

14.98

medium pressure hose assembly rubber PS 10 bar, hose dimensions 6.3 x 3.5 mm, G 3/8 lh nut x G 3/8 lh nut x 400 mm, brass parts

64 504 01

17.54

Caramatic BasicControl - Remote display for Caramatic BasicTwo two-cylinder system or Caramatic SafeDrive PLUS

71 392 00

134.20

Marine Line



Caramatic BasicControl

Part no.

€ / 1 pc.

Remote display for Caramatic BasicTwo two-cylinder system or Caramatic SafeDrive PLUS

Convenient information and control unit for monitoring of the operating and reserve cylinders of the two-cylinder system Caramatic BasicTwo for motor caravans, caravans and boats or the Caramatic SafeDrive PLUS for motor caravans and caravans.

consisting of: information and control unit including connection cable 6 m, cover frame, pressure and reed sensor for remote display with connection cable 2 m

Advantages and equipment

- remote indication of the operating status (normal or reserve operation) of the gas cylinders
- Always know whether and, if so, which of the two gas cylinders is empty and needs to be changed
- can be easily installed in new systems or retrofitted in existing systems
- can be used with the two-cylinder system Caramatic BasicTwo or Caramatic SafeDrive PLUS
- connection of all components by using a plug system, no soldering necessary

Conformity

- CE marking according to ATEX and EMC

Technical data

- supply voltage: 12 V

Shop packaging

Caramatic BasicControl

Remote display for Caramatic BasicTwo two-cylinder system or SafeDrive PLUS

Information and control unit with pressure and reed sensor for remote display

71 392 00

134.20

Spare Part

Cover frame, colour: anthracite

71 391 00

4.60

Accessories

Extension cable 10 m

71 392 01

15.04



Low pressure regulator

Part no.

€ / 1 pc.

for connection to gas cylinders to regulate the pressure to the nominal pressure of the gas equipment

Advantages and equipment

- corrosion resistant in accordance with EN 16129, annex M
- capacity stage 1 with pressure relief valve PRV, response pressure 150 mbar, a discharge line can be installed on the pipe socket (8 mm) to discharge the overpressure
- capacity stage 3 with overpressure safety device S2SR, protection pressure 100 mbar

Conformity

- EC type examination certificate PED and GGV [ordinance on building land registries] (EN 16129, annex D + M)
- UKCA type examination certificate GGV [ordinance on building land registries] (EN 16129, annex D + M)

Technical data

- maximum permissible pressure: PS 16 bar

Note

- The nominal flows of all the devices must be added together to choose the right capacity stage.
- In LPG systems pursuant to EN ISO 10239, pressure regulators with a pressure gauge or installation of a leak tester are prescribed.

Low pressure regulator without test point capacity stage 1, type EN61

straight outlet / with pressure gauge

KLF x G 1/4 lh M 30 mbar 0.8 kg/h

01 280 15

36.90

without pressure gauge

KLF x G 1/4 lh M 30 mbar 0.8 kg/h

01 280 18

26.00

Shell-F x G 1/4 lh M 30 mbar 0.8 kg/h

01 280 38

28.50



Marine Line

Low pressure regulator

Part no.

€/ 1 pc.

90° outlet / with pressure gauge

KLF x G 1/4 lh M 30 mbar 0.8 kg/h

01 280 14

45.30

Shell-F x G 1/4 lh M 30 mbar 0.8 kg/h

01 280 17

47.80

without pressure gauge

KLF x G 1/4 lh M 30 mbar 0.8 kg/h

01 280 04

34.40

Shell-F x G 1/4 lh M 30 mbar 0.8 kg/h

01 280 24

36.90

U-shape / with pressure gauge

KLF x G 1/4 lh M 30 mbar 0.8 kg/h

01 280 47

58.10

Shell-F x G 1/4 lh M 30 mbar 0.8 kg/h

01 280 60

60.60

without pressure gauge

KLF x G 1/4 lh M 30 mbar 0.8 kg/h

01 280 46

47.20

capacity stage 3, type EN61-DS

90° outlet / with pressure gauge

KLF x G 1/4 lh M 30 mbar 1.5 kg/h

01 290 17

63.60

Shell-F x G 1/4 lh M 30 mbar 1.5 kg/h

01 290 03

66.00

without pressure gauge

KLF x G 1/4 lh M 30 mbar 1.5 kg/h

01 290 07

52.70

Shell-F x G 1/4 lh M 30 mbar 1.5 kg/h

01 290 37

55.10

Shop packaging

Low pressure regulator without test point

capacity stage 1, type EN61

straight outlet / with pressure gauge

KLF x G 1/4 lh M 30 mbar 0.8 kg/h

61 280 20

39.50

without pressure gauge

KLF x G 1/4 lh M 30 mbar 0.8 kg/h

61 280 37

28.60

Shell-F x G 1/4 lh M 30 mbar 0.8 kg/h

61 280 38

31.10

90° outlet / with pressure gauge

KLF x G 1/4 lh M 30 mbar 0.8 kg/h

61 280 06

47.90

without pressure gauge

KLF x G 1/4 lh M 30 mbar 0.8 kg/h

61 280 07

37.00

Shell-F x G 1/4 lh M 30 mbar 0.8 kg/h

61 280 35

39.50

U-shape

KLF x G 1/4 lh M 30 mbar 0.8 kg/h

61 280 17

49.80

capacity stage 3, type EN61-DS

90° outlet / with pressure gauge

KLF x G 1/4 lh M 30 mbar 1.5 kg/h

61 290 06

66.20

Shell-F x G 1/4 lh M 30 mbar 1.5 kg/h

61 290 09

68.60

without pressure gauge

KLF x G 1/4 lh M 30 mbar 1.5 kg/h

61 290 10

54.30

Shell-F x G 1/4 lh M 30 mbar 1.5 kg/h

61 290 12

57.70



Marine Line



Low pressure regulator type EN61

Part no.

€ / 1 pc.

for connection to gas cylinders to regulate the pressure to the nominal pressure of the gas equipment

Advantages and equipment

- corrosion resistant in accordance with EN 16129, annex M
- pressure relief valve PRV, response pressure 150 mbar, a discharge line can be installed on the pipe socket (8 mm) to discharge the overpressure

Conformity

- EC type examination certificate PED
- EC type examination certificate GAR
- UKCA type examination certificate GAR

Technical data

- maximum permissible pressure: PS 16 bar

Note

- In LPG systems pursuant to EN ISO 10239, pressure regulators with a pressure gauge or installation of a leak tester are prescribed.

Low pressure regulator type EN61

straight outlet

with pressure gauge

- KLF x G 1/4 lh M 50 mbar 1.5 kg/h
- Shell-F x G 1/4 lh M 50 mbar 1.5 kg/h

- 01 113 40 35.90
- 01 113 09 36.40

without pressure gauge

- KLF x G 1/4 lh M 50 mbar 1.5 kg/h

- 01 113 12 25.00

90° outlet

with pressure gauge

- KLF x G 1/4 lh M 50 mbar 0.8 kg/h

- 01 113 45 44.00

without pressure gauge

- KLF x G 1/4 lh M 50 mbar 0.8 kg/h

- 01 113 61 33.00

Shop packaging

Low pressure regulator type EN61

straight outlet

with pressure gauge

- KLF x G 1/4 lh M 50 mbar 1.5 kg/h
- Shell-F x G 1/4 lh M 50 mbar 1.5 kg/h

- 61 113 07 38.50
- 61 113 30 39.00

without pressure gauge

- KLF x G 1/4 lh M 50 mbar 1.5 kg/h
- Shell-F x G 1/4 lh M 50 mbar 1.5 kg/h

- 61 113 14 27.60
- 61 113 17 28.00

90° outlet

with pressure gauge

- KLF x G 1/4 lh M 50 mbar 0.8 kg/h

- 61 113 15 46.60

without pressure gauge

- KLF x G 1/4 lh M 50 mbar 0.8 kg/h
- Shell-F x G 1/4 lh M 50 mbar 0.8 kg/h

- 61 113 16 35.60
- 61 113 32 38.00



Marine Line



Low pressure regulator type EN61	Part no.	€ / 1 pc.
<p>for connection to Campingaz cylinders and gas cartridges with screw-on thread to regulate the pressure to the nominal pressure of the gas equipment</p> <p>Advantages and equipment</p> <ul style="list-style-type: none"> • with shut-off valve • corrosion resistant in accordance with EN 16129, annex M • pressure relief valve PRV, response pressure 150 mbar, a discharge line can be installed on the pipe socket (8 mm) to discharge the overpressure <p>Conformity</p> <ul style="list-style-type: none"> • EC type examination certificate PED (EN 16129, annex D + M) • EC type examination certificate GGV [ordinance on building land registries] (EN 16129, annex D + M) • UKCA type examination certificate GGV [ordinance on building land registries] (EN 16129, annex D + M) <p>Technical data</p> <ul style="list-style-type: none"> • maximum permissible pressure: PS 16 bar • inlet connector for Campingaz cylinders (M16 x 1.5) <p>Note</p> <ul style="list-style-type: none"> • Not suitable for use in Germany, as the use of Campingaz or Primus cylinders in the caravan or marine area may take place only with a gas cylinder valve with safety valve! • In LPG systems pursuant to EN ISO 10239, pressure regulators with a pressure gauge or installation of a leak tester are prescribed. <p>Low pressure regulator type EN61 for Campingaz cylinders GAZ x G 1/4 lh M 30 mbar 0.5 kg/h</p>	01 043 25	28.90



Low pressure regulator type EN61	Part no.	€ / 1 pc.
<p>for connection to Campingaz cylinders and gas cartridges with screw-on thread to regulate the pressure to the nominal pressure of the gas equipment</p> <p>Advantages and equipment</p> <ul style="list-style-type: none"> • with shut-off valve • corrosion resistant in accordance with EN 16129, annex M • pressure relief valve PRV, response pressure 150 mbar, a discharge line can be installed on the pipe socket (8 mm) to discharge the overpressure <p>Conformity</p> <ul style="list-style-type: none"> • EC type examination certificate PED • EC type examination certificate GAR • UKCA type examination certificate GAR <p>Technical data</p> <ul style="list-style-type: none"> • maximum permissible pressure: PS 16 bar • inlet connector for Campingaz cylinders (M16 x 1.5) <p>Note</p> <ul style="list-style-type: none"> • Not suitable for use in Germany, as the use of Campingaz or Primus cylinders in the caravan or marine area may take place only with a gas cylinder valve with safety valve! • In LPG systems pursuant to EN ISO 10239, pressure regulators with a pressure gauge or installation of a leak tester are prescribed. <p>Low pressure regulator type EN61 for Campingaz cylinders GAZ x G 1/4 lh M 50 mbar 0.5 kg/h</p>	01 041 25	28.90

Marine Line



Low pressure regulator type FL90-4 Marine

Part no.

€ / 1 pc.

for connection to gas cylinders to regulate the pressure to the nominal pressure of the gas equipment

Advantages and equipment

- with overpressure shut-off valve OPSO
- with pressure relief valve PRV
- with test connection
- with insect protection device
- adjustable support
- corrosion resistant in accordance with EN 16129, annex M
- suitable for use on commercially used inland water vessels
- combined fitting for optional connection to 5, 11 or 33 kg gas cylinders

Conformity

- EC type examination certificate GAR

Technical data

- maximum permissible pressure: PS 16 bar

Note

- The evaporation capacity of gas cylinders must be observed.

Low pressure regulator type FL90-4 Marine

Komb.A x G 1/2 lh M 50 mbar 4.0 kg/h

05 004 04

261.94

Spare Part

Medium pressure hose assembly rubber PS 10 bar, hose dimensions 9.0 x 3.5 mm, G 1/2 lh nut x compr. fit. 12 x 400 mm, brass parts

04 444 11

28.56



Low pressure regulator type FL92-4 Marine

Part no.

€ / 1 pc.

for connection to gas cylinders to regulate the pressure to the nominal pressure of the gas equipment

Advantages and equipment

- with pressure relief valve PRV
- with insect protection device
- corrosion resistant in accordance with EN 16129, annex M
- suitable for private boats in the marine area
- combined fitting for optional connection to 5, 11 or 33 kg gas cylinders

Conformity

- EC type examination certificate GAR

Technical data

- maximum permissible pressure: PS 16 bar

Note

- Not suitable for commercial use in Germany, since the low pressure regulator is not equipped with an overpressure shut-off valve OPSO!
- The evaporation capacity of gas cylinders must be observed.

Low pressure regulator type FL92-4 Marine

Komb.A x G 1/2 lh M 30 mbar 2.5 kg/h

01 004 02

56.20

Komb.A x G 1/2 lh M 50 mbar 4.0 kg/h

01 004 01

56.90

Spare Part

Medium pressure hose assembly rubber PS 10 bar, hose dimensions 9.0 x 3.5 mm, G 1/2 lh nut x compr. fit. 12 x 400 mm, brass parts

04 444 11

28.56

Marine Line



Gas cylinder valve type CGV

Part no.

€ / 1 pc.

for connection to butane and propane cylinders up to 5 kg filling weight

Advantages and equipment

- with control valve (open - closed)
- safety valve - response pressure 14 bar (butane - blue plug)
- safety valve - response pressure 30 bar (propane - red plug)

Technical data

- housing material: brass

Gas cylinder valve type CGV for butane cylinders

GAZ x KLF M

09 737 01

20.36

GAZ x Shell-F M

09 737 05

22.76

for propane cylinders

GAZ x KLF M

09 737 00

20.36

GAZ x Shell-F M

09 737 04

22.76

Primus x KLF M

09 737 02

27.54

Spare Part

Gasket for GAZ, material: NBR

20 015 29

0.80

Shop packaging

Gas cylinder valve type CGV for butane cylinders

GAZ x KLF M

69 737 00

21.96

GAZ x Shell-F M

69 737 05

24.36

for propane cylinders

GAZ x KLF M

69 737 04

21.96

GAZ x Shell-F M

69 737 09

24.36

Primus x KLF M

69 737 08

29.14

Spare Part

Gasket for KLF, material: NBR / cont. 5 units

80 016 00

5.60

Marine Line



-30 °C



Medium pressure hose assembly corrosion resistant

Part no.

€/ 1 pc.

to connect fittings, consumer equipment and piping

Conformity

- DVGW [German Association of Gas and Water] type test certificate

Technical data

- maximum admissible pressure: PS 10 bar
- material: connections: brass
- compressive sleeves: stainless steel
- hose: **rubber with textile lining**
- cold resistant up to -30 °C

Note

- Our hose assemblies are supplied with a tag and notice of the year of replacement.

Medium pressure hose assembly corrosion resistant hose dimensions 6.3 x 3.5 mm

connections: compression fitting x compression fitting with coupling nut type M-MS and olive type D-MS

compr. fit. 8 x compr. fit. 8 x 400 mm	04 440 06	12.78
compr. fit. 8 x compr. fit. 8 x 600 mm	04 440 10	14.26
compr. fit. 8 x compr. fit. 8 x 800 mm	04 440 07	15.82

connections: compression fitting x pipe socket with coupling nut type M-MS and olive type D-MS

compr. fit. 8 x pipe socket 8 x 400 mm	04 440 03	11.52
compr. fit. 8 x pipe socket 8 x 600 mm	04 440 05	13.06
compr. fit. 8 x pipe socket 8 x 800 mm	04 440 04	14.62
compr. fit. 8 x pipe socket 8 x 1000 mm	04 440 17	16.16

connections: pipe socket x pipe socket

pipe socket 8 x pipe socket 8 x 400 mm	04 441 00	10.40
pipe socket 8 x pipe socket 8 x 600 mm	04 441 03	11.84
pipe socket 8 x pipe socket 8 x 800 mm	04 441 02	13.38
pipe socket 8 x pipe socket 8 x 1000 mm	04 441 01	14.94

connections: coupling nut x compression fitting with coupling nut type M-MS and olive type D-MS

G 1/4 lh nut x compr. fit. 8 x 400 mm	04 440 01	12.38
G 1/4 lh nut x compr. fit. 8 x 600 mm	04 440 18	14.26
G 1/4 lh nut x compr. fit. 8 x 800 mm	04 440 21	15.82
G 1/4 lh nut x compr. fit. 8 x 1000 mm	04 440 36	17.36

connections: coupling nut x pipe socket

G 1/4 lh nut x pipe socket 8 x 400 mm	04 440 00	11.52
G 1/4 lh nut x pipe socket 8 x 600 mm	04 440 19	13.06
G 1/4 lh nut x pipe socket 8 x 800 mm	04 440 09	14.62
G 1/4 lh nut x pipe socket 8 x 1000 mm	04 440 08	16.16

connections: coupling nut x coupling nut

G 1/4 lh nut x G 1/4 lh nut x 400 mm	04 440 22	12.84
G 1/4 lh nut x G 1/4 lh nut x 600 mm	04 407 15	14.24
G 1/4 lh nut x G 1/4 lh nut x 800 mm	04 440 37	16.26
G 1/4 lh nut x G 1/4 lh nut x 1000 mm	04 454 15	17.28

hose dimensions 9.0 x 3.5 mm

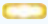
connections: coupling nut x compression fitting with coupling nut type M-MS and olive type D-MS

G 1/2 lh nut x compr. fit. 12 x 400 mm	04 444 11	28.56
--	-----------	-------

Spare Part

Hose guard / cont. 10 units	02 048 82	45.90
-----------------------------	-----------	-------

Marine Line

Medium pressure hose assembly corrosion resistant	Part no.	€/ 1 pc.
Shop packaging 		
Medium pressure hose assembly corrosion resistant		
hose dimensions 6.3 x 3.5 mm		
connections: compression fitting x compression fitting		
with coupling nut type M-MS and olive type D-MS		
compr. fit. 8 x compr. fit. 8 x 400 mm	64 440 06	15.38
compr. fit. 8 x compr. fit. 8 x 600 mm	64 440 23	16.86
compr. fit. 8 x compr. fit. 8 x 800 mm	64 440 09	18.42
connections: compression fitting x pipe socket		
with coupling nut type M-MS and olive type D-MS		
compr. fit. 8 x pipe socket 8 x 400 mm	64 440 04	14.12
compr. fit. 8 x pipe socket 8 x 600 mm	64 440 22	15.66
compr. fit. 8 x pipe socket 8 x 800 mm	64 440 38	17.22
compr. fit. 8 x pipe socket 8 x 1000 mm	64 440 39	18.76
connections: pipe socket x pipe socket		
pipe socket 8 x pipe socket 8 x 400 mm	64 441 05	13.00
pipe socket 8 x pipe socket 8 x 600 mm	64 441 03	14.44
pipe socket 8 x pipe socket 8 x 800 mm	64 441 07	15.98
pipe socket 8 x pipe socket 8 x 1000 mm	64 441 06	17.54
connections: coupling nut x compression fitting		
with coupling nut type M-MS and olive type D-MS		
G 1/4 lh nut x compr. fit. 8 x 400 mm	64 440 02	14.98
G 1/4 lh nut x compr. fit. 8 x 600 mm	64 440 12	16.86
G 1/4 lh nut x compr. fit. 8 x 800 mm	64 440 14	18.42
G 1/4 lh nut x compr. fit. 8 x 1000 mm	64 440 13	19.96
connections: coupling nut x pipe socket		
G 1/4 lh nut x pipe socket 8 x 400 mm	64 440 00	14.12
G 1/4 lh nut x pipe socket 8 x 600 mm	64 440 25	15.66
G 1/4 lh nut x pipe socket 8 x 1000 mm	64 440 11	18.76
connections: coupling nut x coupling nut		
G 1/4 lh nut x G 1/4 lh nut x 400 mm	64 440 15	15.44
G 1/4 lh nut x G 1/4 lh nut x 600 mm	64 407 04	16.84
G 1/4 lh nut x G 1/4 lh nut x 800 mm	64 440 41	18.86
G 1/4 lh nut x G 1/4 lh nut x 1000 mm	64 454 11	19.88
connections: coupling nut x plug-in fitting		
G 1/4 lh nut x plug-in fitting x 1500 mm	64 440 40	23.00
hose dimensions 9.0 x 3.5 mm		
connections: coupling nut x compression fitting		
with coupling nut type M-MS and olive type D-MS		
G 1/2 lh nut x compr. fit. 12 x 400 mm	64 444 00	31.16
Other versions, connections or dimensions on request.		

Marine Line



Leak tester type 4071

Part no.

€ / 1 pc.

enables quick and sound leak testing of the LPG system at any time at the press of a button

Advantages and equipment

- with fixing screws
- with reinforcement rings
- including glycol mixture to check also at temperatures below freezing
- bubbles can be seen in the inspection glass if there is a leak in the LPG system

Technical data

- maximum working pressure: 2 bar
- pressure loss: < 1 mbar

Note

- Can be installed in all low pressure LPG systems in marine applications!

Leak tester type 4071

straight outlet

compression fitting x compression fitting

with coupling nut type M-MS and olive type D-MS

with 2 x hose adapter pipe socket 8 x 8 mm nozzle

compr. fit. 8 x compr. fit. 8

02 004 71

84.60

Ball-cone connector x ball-cone connector

G 1/4 lh M x G 1/4 lh M

02 004 70

69.00



Pre-pressure regulator type DE 50/30 S

Part no.

€ / 1 pc.

for safe, compliant integration of 30 mbar gas equipment in 50 mbar LPG systems in vehicles and boats

Advantages and equipment

- including 1 m plastic ventilation line
- easy assembly in the respective appliance line
- integrated bypass bore ensures a leak check to the gas equipment
- ideal if the LPG system is retrofitted or if defective gas equipment is being replaced

Conformity

- EC type examination certificate GAR

Technical data

- maximum admissible pressure: PS 1 bar

Note

- In the German DVGW worksheet G 607 for LPG systems in occupied leisure vehicles and for living purposes in other road vehicles, it is prescribed in the chapter for operation and testing that pressure regulators are to be replaced 10 years after the date of manufacture at the latest. If the working pressure of the system is 30 mbar, pursuant to G 607, a regulator according to EN 16129, annex D (e.g. part no. 01 280 10) is to be used in the event of a replacement. For LPG systems in vehicles with a working pressure of 50 mbar, a non-compliance permit applies. There is no obligation to convert to 30 mbar.

Shop packaging

Pre-pressure regulator type DE 50/30 S

with coupling nut type M-MS and olive type D-MS

compr. fit. 8 x compr. fit. 8 30 mbar 0.8 kg/h

71 446 00

61.54

Marine Line

Hose guard



for the protection of hose assemblies in the hose dimensions 6.3 x 3.5 mm

For LPG systems on boats according to EN ISO 10239, piping and hose assemblies in the area of the passage through walls and/or bulkheads must be protected against abrasion or chafing.

Technical data

- material: EPDM
- dimensions: wall bore: approx. 22 mm
wall thickness: maximum: 22 mm

Note

- The hose assembly is not included in the scope of delivery!

Hose guard

complete Cont. 10 units

Part no.

€ / 1 pc.

02 048 82

45.90

Hull / wall duct



to guide the regulator ventilation line of the pre-pressure regulator through the hull or vehicle wall

Advantages and equipment

- simple and secure assembly through the hull or vehicle wall
- avoidance of damage to the ventilation line through assembly near the pre-pressure regulator

Technical data

- material: hull / wall duct: chrome-plated brass
sealing for inside and outside: teflon
nut and washer for inside: stainless steel

Hull / wall duct

for wall thicknesses up to 8 mm

for wall thicknesses of 15 to 40 mm

11 445 08

44.90

11 445 40

57.90

Shop packaging

Hull / wall duct

for wall thicknesses up to 8 mm

for wall thicknesses of 15 to 40 mm

71 445 00

46.50

71 445 02

59.50

Variant outlet box



to connect gas equipment, such as stoves, barbecues and lights on the boat deck

The valve can be opened only when the hose assembly is connected.

Advantages and equipment

- suitable for use on boats

Note

- To install the outlet box on the outside of the boat a 155 x 65 mm cutout is required!

Variant outlet box

outside connection for LPG / without cylinder lock

gas line: quick coupler x G 1/4 lh nut

21 731 15

103.50

Shop packaging

Variant outlet box

outside connection for LPG / without cylinder lock

gas line: quick coupler x G 1/4 lh nut

81 731 05

105.10

Accessories

Medium pressure hose assembly corrosion resistant PS 10 bar,
hose dimensions 6.3 x 3.5 mm, G 1/4 lh nut x plug-in fitting x 1500 mm, brass parts

64 440 40

23.00

Fitting G 1/4 lh M x compr. fit. 8

74 516 00

10.12

Fitting 5/8 UNF F x G 1/4 lh M

62 521 00

7.30

Part no.

€ / 1 pc.

Marine Line



Quick-acting stop valve type DSV

Part no.

€ / 1 pc.

quick-closing valve, only completely open or closed setting

Advantages and equipment

- includes symbol stickers for marking the consumer equipment
- activation element: twist grip
- low pressure loss thanks to optimised function
- mounting bracket for safe assembly

Conformity

- DIN DVGW [German Association of Gas and Water] type test certificate

Technical data

- maximum permissible pressure: PS 16 bar
- material:

housing:	brass, bright
gaskets:	NBR
twist grip:	PA6 GB10

Shop packaging

**Quick-acting stop valve type DSV
with mounting bracket
with coupling nut type M-MS and olive type D-MS**
compr. fit. 8 x compr. fit. 8

63 711 09

31.64

Quick-acting stop valve type KSV

Part no.

€ / 1 pc.



quick-closing valve, only completely open or closed setting

Advantages and equipment

- activation element: ergonomic toggle lever
- colour coded open (green) and closed position (red)
- low pressure loss thanks to optimised function
- includes clips with symbols for marking consumer equipment

Conformity

- DIN DVGW [German Association of Gas and Water] type test certificate

Technical data

- maximum permissible pressure: PS 16 bar
- material:

housing:	brass, bright
gaskets:	NBR
toggle lever:	PA6 GF30

**Quick-acting stop valve type KSV
with mounting bracket
with coupling nut type M-MS and olive type D-MS**
compr. fit. 8 x compr. fit. 8

03 611 99

30.04

Shop packaging

**Quick-acting stop valve type KSV
with mounting bracket
with coupling nut type M-MS and olive type D-MS**
compr. fit. 8 x compr. fit. 8

63 611 09

31.64

Spare Part

Clips with symbols for marking consumer equipment / cont. 4 units

63 690 00

6.14

Marine Line

Distributor valve type DSV-AB

Part no.

€/ 1 pc.

quick-closing valve, only completely open or closed setting

Advantages and equipment

- with mounting bracket
- includes a blind plug in the outlet
- includes symbol stickers for marking the consumer equipment
- activation element: twist grip
- low pressure loss thanks to optimised function

Conformity

- DIN DVGW [German Association of Gas and Water] type test certificate

Technical data

- maximum admissible pressure: PS 5 bar
- material: housing: brass, bright
gaskets: NBR
twist grip: PA6 GB10

Note

- In the conversion process, the pressure resistance increases from PS 5 bar to PS 16 bar

Shop packaging 

Distributor valve type DSV-AB2

with coupling nut type M-MS and olive type D-MS

compr. fit. 8 x 2 x compr. fit. 8 x compr. fit. 8

63 750 09

47.80

type DSV-AB3

compr. fit. 8 x 3 x compr. fit. 8 x compr. fit. 8

63 751 09

76.64

type DSV-AB4

compr. fit. 8 x 4 x compr. fit. 8 x compr. fit. 8

63 752 09

106.48

Accessories

Set of symbols / cont. 5 units

63 750 01

6.14



Marine Line

Distributor valve type KSV-AB

Part no.

€ / 1 pc.

Quick-closing valve, only completely open or closed setting

Advantages and equipment

- activation element: ergonomic toggle lever
- colour coded open (green) and closed position (red)
- low pressure loss thanks to optimised function
- with mounting bracket
- includes clips with symbols for marking consumer equipment
- includes a blind plug in the outlet

Conformity

- DIN DVGW [German Association of Gas and Water] type test certificate

Technical data

- maximum permissible pressure: PS 16 bar
- material: housing: brass, bright
gaskets: NBR
toggle lever: PA6 GF30

Distributor valve

type KSV-AB2

with coupling nut type M-MS and olive type D-MS

compr. fit. 8 x 2 x compr. fit. 8 x compr. fit. 8

03 650 99

47.80

type KSV-AB3

with coupling nut type M-MS and olive type D-MS

compr. fit. 8 x 3 x compr. fit. 8 x compr. fit. 8

03 651 99

76.64

type KSV-AB4

with coupling nut type M-MS and olive type D-MS

compr. fit. 8 x 4 x compr. fit. 8 x compr. fit. 8

03 652 99

106.48

Shop packaging 

Distributor valve

type KSV-AB2

with coupling nut type M-MS and olive type D-MS

compr. fit. 8 x 2 x compr. fit. 8 x compr. fit. 8

63 650 09

47.80

type KSV-AB3

with coupling nut type M-MS and olive type D-MS

compr. fit. 8 x 3 x compr. fit. 8 x compr. fit. 8

63 651 09

76.64

type KSV-AB4

with coupling nut type M-MS and olive type D-MS

compr. fit. 8 x 4 x compr. fit. 8 x compr. fit. 8

63 652 09

106.48

Spare Part

Clips with symbols for marking consumer equipment / cont. 4 units

63 690 00

6.14



Marine Line

shortened design



Distributor valve short design type KSV-AB

Part no.

€ / 1 pc.

quick-closing valve, only completely open or closed setting

Advantages and equipment

- activation element: ergonomic toggle lever
- colour coded open (green) and closed position (red)
- shortened configuration for optimised installation
- low pressure loss thanks to optimised function
- with mounting bracket
- includes clips with symbols for marking consumer equipment
- includes a blind plug in the outlet

Conformity

- DIN DVGW [German Association of Gas and Water] type test certificate

Technical data

- maximum permissible pressure: PS 16 bar
- material: housing: brass, bright
gaskets: NBR
toggle lever: PA6 GF30

Distributor valve short design

type KSV-AB2

with coupling nut type M-MS and olive type D-MS

compr. fit. 8 x 2 x compr. fit. 8 x compr. fit. 8

03 670 99

47.80

type KSV-AB3

with coupling nut type M-MS and olive type D-MS

compr. fit. 8 x 3 x compr. fit. 8 x compr. fit. 8

03 671 99

76.64

type KSV-AB4

with coupling nut type M-MS and olive type D-MS

compr. fit. 8 x 4 x compr. fit. 8 x compr. fit. 8

03 672 99

106.48

Shop packaging

Distributor valve short design

type KSV-AB2

with coupling nut type M-MS and olive type D-MS

compr. fit. 8 x 2 x compr. fit. 8 x compr. fit. 8

63 670 09

47.80

type KSV-AB3

with coupling nut type M-MS and olive type D-MS

compr. fit. 8 x 3 x compr. fit. 8 x compr. fit. 8

63 671 09

76.64

type KSV-AB4

with coupling nut type M-MS and olive type D-MS

compr. fit. 8 x 4 x compr. fit. 8 x compr. fit. 8

63 672 09

106.48

Spare Part

Clips with symbols for marking consumer equipment / cont. 4 units

63 690 00

6.14

Marine Line

Ball valve type 0270

for fast opening and closing, shut-off fitting pursuant to EN 331

Advantages and equipment

- with mounting bracket

Conformity

- EC type examination certificate GAR

Technical data

- maximum admissible pressure: PS 20 bar
- material: brass

Ball valve type 0270

**compression fitting x compression fitting
with coupling nut type M-MS and olive type D-MS**

compr. fit. 8 x compr. fit. 8

02 700 07 31.06

**compression fitting x male thread
with coupling nut type M-MS and olive type D-MS**

compr. fit. 8 x G 1/4 lh M

02 700 08 31.06

coupling nut x male thread

G 1/4 lh nut x G 1/4 lh M

02 700 10 31.06

Shop packaging

Accessories

Fitting G 1/4 lh M x compr. fit. 8

74 516 00 10.12

Fitting G 1/4 lh M x soldering socket 8 mm

74 515 00 7.34



Shut-off block type AB0270

shut-off fitting pursuant to EN 331 for LPG systems on boats pursuant to EN ISO 10239

Advantages and equipment

- version compr. fit. 8 includes a blind plug in the outlet

Technical data

- maximum admissible pressure: PS 20 bar
- material: brass

Shut-off block type AB0270

with coupling nut type M-MS and olive type D-MS

compr. fit. 8 x 2 x compr. fit. 8 x compr. fit. 8

02 400 00 49.90

with coupling nut made from brass

G 1/4 lh nut x 2 x G 1/4 lh M

02 400 01 51.10

Shop packaging

Shut-off block type AB0270

with coupling nut type M-MS and olive type D-MS

compr. fit. 8 x 2 x compr. fit. 8 x compr. fit. 8

62 400 00 52.50

with coupling nut made from brass

G 1/4 lh nut x 2 x G 1/4 lh M

62 400 01 53.70

Accessories

Blind plug 8 mm / cont. 3 units

63 505 00 4.98

Fitting G 1/4 lh M x compr. fit. 8

74 516 00 10.12

Fitting G 1/4 lh M x soldering socket 8 mm

74 515 00 7.34





Marine Line

Information about brass compression fittings

For the correct selection and assembly of compression fittings, please refer to the GOK assembly manual and the data sheets for compression fittings and screw-in connectors (at www.gok.de/en/data-sheets or www.gok.de/en/installation-instructions).



Assembly instructions
Compression fittings



Data sheet
Compression fittings



Data sheet
Screw-in connectors

Material: brass (CW614N or CW617N).

All compression fittings with DVGW type approval certificate according to DIN 3387-1. The DIN 3387-1 standard specifies the requirements and tests for compression fittings (smooth pipe couplings) for connecting metal gas pipes, e.g. within the field of application of TRF (Technical Rules for LPG in Germany). The details of the design of compression fittings are mainly specified in EN ISO 8434-1, DIN 2353 or other standards. For a precise description, the standardised designations according to EN ISO 8434 are used (e.g. EN ISO 8434-1 - SC).

Straight compression fitting type G-MS

Part no.

€/ 1 pc.



EN ISO 8434-1 - SC

Shop packaging 

**Straight compression fitting type G-MS
with coupling nut type M-MS and olive type D-MS**
compr. fit. 8 x compr. fit. 8 series L

67 602 01

10.88

Other versions, connections or dimensions on request.

Elbow compression fitting type W-MS

Part no.

€/ 1 pc.



EN ISO 8434-1 - EC

Shop packaging 

**Elbow compression fitting type W-MS
with coupling nut type M-MS and olive type D-MS**
compr. fit. 8 x compr. fit. 8 series L

67 608 01

14.80

Other versions, connections or dimensions on request.

T-shape compression fitting type T-MS

Part no.

€/ 1 pc.



EN ISO 8434-1 - TC

Shop packaging 

**T-shape compression fitting type T-MS
with coupling nut type M-MS and olive type D-MS**
compr. fit. 8 x compr. fit. 8 x compr. fit. 8 series L

67 614 01

17.94

Other versions, connections or dimensions on request.

Marine Line



Straight bulkhead compression fitting type SV-MS

Part no.

€/ 1 pc.

EN ISO 8434-1 - BHSC

Technical data

- Maximum bulkhead thickness: 16 mm

Shop packaging 

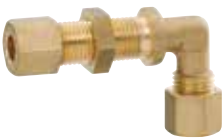
Straight bulkhead compression fitting type SV-MS with coupling nut type M-MS and olive type D-MS

compr. fit. 8 x compr. fit. 8 series L

67 880 01

26.32

Other versions, connections or dimensions on request.



Elbow bulkhead compression fitting type WSV-MS

Part no.

€/ 1 pc.

EN ISO 8434-1 - BHEC

Technical data

- Maximum bulkhead thickness: 16 mm

Shop packaging 

Elbow bulkhead compression fitting type WSV-MS with coupling nut type M-MS and olive type D-MS with washers

compr. fit. 8 x compr. fit. 8 series L

67 681 05

33.29

without washers

compr. fit. 8 x compr. fit. 8 series L

67 681 01

29.36

Other versions, connections or dimensions on request.

Marine Line

Information about stainless steel compression fittings

For the correct assembly of stainless steel compression fittings, we recommend that you use a pre-assembly socket and a lubricant.

For the correct selection and assembly of compression fittings, please refer to the GOK assembly manual and the data sheets for compression fittings and screw-in connectors (at www.gok.de/en/data-sheets or www.gok.de/en/installation-instructions)



Assembly instructions
Compression fittings



Data sheet
Compression fittings



Data sheet
Screw-in connectors

Material: stainless steel (1.4571).

All compression fittings with DVGW type approval certificate according to DIN 3387-1. The DIN 3387-1 standard specifies the requirements and tests for compression fittings (smooth pipe couplings) for connecting metal gas pipes, e.g. within the field of application of TRF (Technical Rules for LPG in Germany). The details of the design of compression fittings are mainly specified in EN ISO 8434-1, DIN 2353 or other standards. For a precise description, the standardised designations according to EN ISO 8434 are used (e.g. EN ISO 8434-1 - SC).

Straight compression fitting stainless steel type G-X

Part no.

€ / 1 pc.



EN ISO 8434-1 - SC

Straight compression fitting stainless steel type G-X with coupling nut type M-X and olive type D-X

compr. fit. 8 x compr. fit. 8 series L

07 502 00

24.05

Other versions, connections or dimensions on request.

Elbow compression fitting stainless steel type W-X

Part no.

€ / 1 pc.



EN ISO 8434-1 - EC

Elbow compression fitting stainless steel type W-X with coupling nut type M-X and olive type D-X

compr. fit. 8 x compr. fit. 8 series L

07 508 00

34.19

Other versions, connections or dimensions on request.

T-shape compression fitting stainless steel type T-X

Part no.

€ / 1 pc.



EN ISO 8434-1 - TC

T-shape compression fitting stainless steel type T-X with coupling nut type M-X and olive type D-X

compr. fit. 8 x compr. fit. 8 x compr. fit. 8 series L

07 514 00

57.38

Other versions, connections or dimensions on request.

Straight bulkhead compression fitting stainless steel type SV-X

Part no.

€ / 1 pc.



EN ISO 8434-1 - BHSC

Technical data

- Maximum bulkhead thickness: 16 mm

Straight bulkhead compression fitting stainless steel type SV-X with coupling nut type M-X and olive type D-X

compr. fit. 8 x compr. fit. 8 series L

07 570 00

38.44

Other versions, connections or dimensions on request.

Marine Line



Pre-assembly socket type VOMO

Part no.

€ / 1 pc.

is a device for the secure pre-assembly of olives by hand

When assembling stainless steel compression fittings, pre-assembly should be done only in the hardened pre-assembly socket. Use lubricant for pre-assembly. Steel and brass compression fittings can also be pre-assembled in the pre-assembly socket.

Technical data

- material: steel, hardened

Pre-assembly socket type VOMO

compr. fit. 6 x compr. fit. 12

compr. fit. 8 x compr. fit. 10

compr. fit. 15 x compr. fit. 18

27 121 20

23.00

27 121 00

23.00

27 121 30

23.00

Accessories

Lubricant tube 100 g

07 599 50

42.70

Shop packaging

Accessories

Valve and fitting grease tube 20 g

71 510 00

5.20



Pre-assembly socket type VOMO

Part no.

€ / 1 pc.

is a device for the secure pre-assembly of olives with the use of a vice

When assembling stainless steel compression fittings, pre-assembly should be done only in the hardened pre-assembly socket. Use lubricant for pre-assembly. Steel and brass compression fittings can also be pre-assembled in the pre-assembly socket.

Technical data

- material: steel, hardened

Pre-assembly socket type VOMO

8 M14 x 1.5 M

07 599 08

43.56

Accessories

Lubricant tube 100 g

07 599 50

42.70

Shop packaging

Accessories

Valve and fitting grease tube 20 g

71 510 00

5.20



Lubricant

Part no.

€ / 1 pc.

for pre-assembly and final assembly of stainless steel compression fittings

Lubricant

tube 100 g

07 599 50

42.70



Valve and fitting grease

Part no.

€ / 1 pc.

as a lubricant for gas fittings, actuators and gaskets

Technical data

- temperature range: -20°C to +150°C
- resistant to all gases / gas mixtures of the DVGW Code of Practice G 260

Shop packaging

Valve and fitting grease

tube 20 g

71 510 00

5.20

Marine Line



Leak tester type 150

Part no.

€/ 1 pc.

to check for leaks in LPG systems in recreational vehicles according to DVGW worksheet G 607, ÖVGW worksheet G 107 and EN 1949 and in small water crafts according to DVGW worksheet G 608 and EN ISO 10239.

consisting of: pressure limiter, test pressure gauge 0 to 250 mbar quality class 1.0 (pressure resistant to 2.5 bar), hand pump, transport bag and two fittings G 1/4 lh F x G 3/8 lh M and G 1/4 lh F x G 1/2 lh M

Advantages and equipment

- pressure limiter prevents damage to the pressure gauge

Leak tester type 150

with hand pump and transport bag

02 611 00

348.00

Spare Part

Test pressure gauge 0-250 mbar, quality class 1.0

02 616 26

177.00

Pressure gauge gasket

55 211 60

0.80

Gasket for outlet nozzle G 1/4 lh M on the leak tester

02 600 59

0.80

Set consisting of: fitting G 1/4 lh F x G 3/8 lh M and G 1/4 lh F x G 1/2 lh M brass

02 617 22

10.86

Accessories

Test hose G 1/4 lh nut x adapter for test point x 750 mm

02 618 06

18.30

Retrofit kit for additional volume vessel 600 cm³

02 611 06

77.30

Additional volume vessel 600 cm³

02 611 40

9.40

Gasket for additional volume

02 611 27

0.80

Leak detector spray can 125 ml

02 601 01

6.60

Shop packaging

Spare Part

Test pressure gauge 0-250 mbar, quality class 1.0

62 616 00

179.60

Marine Line



Electronic test device Leak Check LPG PRO

Part no.

€/ 1 pc.

with all the necessary assembly parts for leak testing in LPG systems in recreational vehicles according to DVGW worksheet G 607, ÖVGW worksheet G 107 and EN 1949 and in small water crafts according to DVGW worksheet G 608 and EN ISO 10239.

When the Leak Check LPG PRO is connected to the supply line using the included common fitting, it checks for leaks automatically. After a positive check, a log with the test result is printed, which can be attached to the test certificate of the LPG system. If there is a leak in the supply line, the pump can generate the test pressure continuously, which considerably simplifies searching for the leak.

consisting of:

- 1 x Leak Check LPG PRO including mains adapter and rechargeable battery
- 1 x printer with connection cable and spare paper roll
- 1 x connection hose for test point G 1/4 lh M
- 1 x test hose G 1/4 lh nut x adapter for test point x 750 mm
- 1 x medium pressure hose assembly for LPG lines
- 1 x additional volume vessel 600 cm³
- 1 x hand grip for the test point
- 1 x plug-in fitting STN x pipe socket 8 to connect to quick coupler SKU
- 1 x straight reducer insert type RED pipe socket 8 x compr. fit 10
- 2 x adapters for all common test connections
- 10 x gaskets for outlet nozzle G 1/4 lh M
- 1 x MiniTool to connect and disconnect small cylinder regulators
- 1 x double open-end spanner in each of the following sizes: 10/11; 12/13; 14/15; 17/19 and 20/22
- 1 x system case

Advantages and equipment

- clear operating panel for easy handling
- all necessary parts for testing and assembly in one system case
- efficiently arranged compartments with protective insert
- system case (H/W/D: approx. 230 x 508 x 296 mm) made from high-quality ABS plastic
- the system case is combinable, stackable and connectible e.g. with the camping and caravan or marine assembly case
- self-contained with an efficient rechargeable battery
- test result printed out (long-life paper - keeps up to 10 years, approx. 35 printouts possible per paper roll)
- continuous pump function for leak detection
- automatic zero-point correction when it is switched on

Technical data

- measurement range: 0 to 200 mbar
- pressure resistance: 1000 mbar
- measuring accuracy: ± 2 mbar (in the measurement range 140 to 160 mbar)

Electronic test device Leak Check LPG PRO

for caravan and marine

with leak detector spray can 125 ml

27 105 00

1,336.00

Spare Part

Spare paper roll, long-life / cont. 5 units

27 107 25

5.60

Spare paper roll, long-life / cont. 100 units

27 107 26

57.00

Accessories

Calibration of the test device

58 803 00

64.90

Marine Line



Electronic test device Leak Check LPG PRO BT

Part no.

€ / 1 pc.

with all the necessary assembly parts for leak testing in LPG systems in recreational vehicles according to DVGW worksheet G 607, ÖVGW worksheet G 107 and EN 1949 and in small water crafts according to DVGW worksheet G 608 and EN ISO 10239.

The Leak Check LPG PRO BT carries out the required test automatically and transfers the result into an app (Android) installed on a mobile end device by means of Bluetooth.

The tester records the data of the integrated gas equipment/components in the app under the vehicle identification number (VIN). After the test, a test log can be created, saved locally, printed (PDF) or exported.

In the case of a repeat test, already recorded gas equipment/components can be assumed by means of the local memory or by importing the last test log using the QR code.

consisting of:

- 1 x Leak Check LPG PRO including mains adapter and rechargeable battery
- 1 x Bluetooth adapter
- 1 x connection hose for test point G 1/4 lh M
- 1 x test hose G 1/4 lh nut x adapter for test point x 750 mm
- 1 x medium pressure hose assembly for LPG lines
- 1 x additional volume vessel 600 cm³
- 1 x hand grip for the test point
- 1 x plug-in fitting STN x pipe socket 8 to connect to quick coupler SKU
- 1 x straight reducer insert type RED pipe socket 8 x compr. fit 10
- 2 x adapters for all common test connections
- 10 x gaskets for outlet nozzle G 1/4 lh M
- 1 x leak detector spray can 125 ml
- 1 x MiniTool to connect and loosen small cylinder regulators
- 1 x double open-end spanner in each of the following sizes: 10/11; 12/13; 14/15; 17/19 and 20/22
- 1 x system case

Advantages and equipment

- clear operating panel for easy handling
- all necessary parts for testing and assembly in one system case
- efficiently arranged compartments with protective insert
- system case (H/W/D: approx. 230 x 508 x 296 mm) made from high-quality ABS plastic
- the system case is combinable, stackable and connectible e.g. with the camping and caravan or marine assembly case
- self-contained with an efficient rechargeable battery
- continuous pump function for leak detection
- automatic zero-point correction when it is switched on
- the integrated gas equipment/components can be traced using the VIN

Conformity

- CE marking according to RED

Technical data

- measurement range: 0 to 200 mbar
- pressure resistance: 1000 mbar
- measuring accuracy: ± 2 mbar (in the measurement range 140 to 160 mbar)

Electronic test device Leak Check LPG PRO BT for caravan and marine

complete	27 108 00	1,234.00
Accessories		
Calibration of the test device	58 803 00	64.90

Marine Line



Test device Leak Check LPG BASIC

Part no.

€ / 1 pc.

with all the necessary assembly parts for leak testing in LPG systems in recreational vehicles according to DVGW worksheet G 607, ÖVGW worksheet G 107 and EN 1949 and in small water crafts according to DVGW worksheet G 608 and EN ISO 10239.

consisting of:

- 1 x leak tester type 150 with pressure limiter
- 1 x test hose for test point
- 1 x medium pressure hose assembly for LPG lines
- 1 x hand grip for the test point
- 1 x stainless steel plug-in fitting STN x pipe socket 8 to connect the test device to the quick coupler SKU
- 1 x straight reducer insert type RED pipe socket 8 x compr. fit 10
- 10 x gaskets for outlet nozzle G 1/4 lh M
- 1 x leak detector spray can 125 ml
- 1 x MiniTool to connect and loosen small cylinder regulators
- 1 x double open-end spanner in each of the following sizes: 10/11; 12/13; 14/15; 17/19 and 20/22
- 1 x system case with carrying strap

Advantages and equipment

- all necessary parts for testing and assembly in one system case
- efficiently arranged compartments with protective insert
- system case (H/W/D: approx. 105 x 396 x 296 mm) made from high-quality ABS plastic
- the system case is combinable, stackable and connectible e.g. with the camping and caravan or marine assembly case

Test device Leak Check LPG BASIC for caravan and marine

complete

27 100 00

402.90

Accessories

Retrofit kit for additional volume vessel 600 cm³

02 611 06

77.30

Marine assembly case

27 110 00

570.00



Electronic pressure regulator test device - Regulator Check LPG PRO

Part no.

€ / 1 pc.



to check the pressure and function of pressure regulators in leisure vehicles and small water crafts

consisting of: electronic test device in transport case, test hose, adapter for testing pressure regulators with compression fitting 8 at the outlet, adapter for testing pressure regulators with test valve and transparent ventilation hose

Advantages and equipment

- control of flow and closing pressure of low pressure regulators
- safe discharge of LPG to the outside by means of a transparent ventilation hose
- no uncontrolled escape of gas through self-closing test valve
- battery-operated test device incl. USB-C interface for charging the appliance
- menu language and display in German and English

Conformity

- CE marking according to EMC

Technical data

- test range: low pressure 0 to 160 mbar

Electronic pressure regulator test device - Regulator Check LPG PRO for caravan and marine

complete

27 130 00

305.00

Spare Part

Adapter G 1/4 lh M x pipe socket 8

14 040 00

2.24

Shop packaging

Spare Part

Adapter G 1/4 lh M x pipe socket 8

74 040 00

3.84

Marine Line



Marine assembly case

Part no.

€ / 1 pc.

containing all the necessary components and spare parts for assembly and maintenance work on LPG systems in small water crafts according to DVGW worksheet G 608 and EN ISO 10239

consisting of:

- 1 x distributor valve 8 mm x 2 x 8 mm
- 2 x quick-acting stop valve 8 mm
- 15 x straight compression fitting, type G-MS 8 mm
- 5 x elbow compression fitting, type W-MS 8 mm
- 3 x T-shape compression fitting, type T-MS 8 mm
- 5 x straight bulkhead compression fitting, type SV-MS 8 mm
- 5 x elbow bulkhead compression fitting, type WSV-MS 8 mm
- 20 x coupling nut, type M-MS 8 mm
- 20 x olive, type D-MS 8 mm
- 20 x blind plug for distributor valve 8 mm
- 20 x reinforcement ring 8 x 1 mm
- 20 x metal pipe clamp with rubber profile 8 mm
- 1 x system case

Advantages and equipment

- all the components that you need for assembly and maintenance, arranged neatly in one system case
- efficiently arranged compartments
- system case (H/W/D: approx. 82 x 396 x 296 mm) made from high-quality ABS plastic
- the system case is combinable, stackable and connectible e.g. with the test devices Leak Check LPG PRO and BASIC as well as the camping and caravan assembly case

Marine assembly case for LPG systems in marine applications

complete	27 110 00	570.00
Accessories		
Electronic test device Leak Check LPG PRO	27 105 00	1,336.00
Test device Leak Check LPG BASIC	27 100 00	402.90
Camping and caravan assembly case	27 120 00	464.00

Pipe system



MiniTool

Part no.

€/ 1 pc.

to connect and disconnect small cylinder regulators on the gas cylinder valve with no effort

Advantages and equipment

- suitable for small cylinder connections with wing nuts

Technical data

- material: special polyamide with glass fibre reinforcement (developed for tools)

MiniTool

35 units in presentation box

unicoloured, blue

21 100 70

192.86

various colours, each 7 pieces: orange, red, blue, green and black

21 100 71

192.86

Replenishment pack

50 units

unicoloured, blue

21 100 80

270.50

various colours, each 10 pieces: orange, red, blue, green and black

21 100 85

270.50

Shop packaging 

MiniTool

individually packed

unicoloured, blue

81 100 00

7.10

Euro set D Professional

Part no.

€/ 1 pc.

for connecting a pressure regulator with a German connection to gas cylinders with common European connections

consisting of: EuroTool in toolbox with 3 inserts and adapters 1 to 4 from Euro set D

Advantages and equipment

- just one tool with three different exchangeable inserts, suitable for European cylinder connections
- simple and safe exchangeable system
- toolbox (H/W/D: 235 x 185 x 48mm)
- adapter 1: Italy, Switzerland (KLF M x M10 x 1 M)
- adapter 2: Greece, Italy, Austria and Slovenia (KLF M x Ital.A F)
- adapter 3: UK, Finland, Iceland, Norway, Portugal and Sweden (KLF M x Primus M)
- adapter 4: Belgium, UK, France, Ireland, Croatia, Latvia, Luxembourg, Macedonia, Montenegro, Netherlands, Switzerland, Serbia, Slovakia, Slovenia, Spain and Czech Republic (KLF M x W21.8 x 1/14 lh F)

Technical data

- material: EuroTool: special polyamide with glass fibre reinforcement (developed for tools)
- exchangeable inserts: special polyamide with glass fibre reinforcement (developed for tools)
- adapter: brass

Shop packaging 

Euro set D Professional

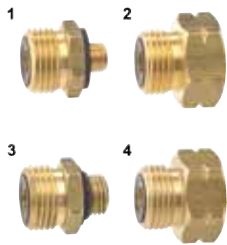
in toolbox

complete

69 735 10

47.44

Pipe system



Euro set D	Part no.	€/ 1 pc.
for connecting a pressure regulator with a German connection to gas cylinders with common European connections		
Euro set D consisting of adapters 1 to 4	09 735 00	23.50
Individual nozzles		
Adapter 1: Italy, Switzerland KLF M x M10 x 1 M	09 735 31	5.88
Adapter 2: Greece, Italy, Austria, Slovenia KLF M x Ital.AF	09 735 32	5.88
Adapter 3: UK, Finland, Iceland, Norway, Portugal, Sweden KLF M x Primus M	09 735 33	5.88
Adapter 4: Belgium, UK, France, Ireland, Croatia, Latvia, Luxembourg, Macedonia, Montenegro, Netherlands, Switzerland, Serbia, Slovakia, Slovenia, Spain, Czech Republic KLF M x W21.8 x 1/14 lh F	09 735 34	5.88
Long version (total length: 40 mm)		
KLF M x W21.8 x 1/14 lh F	09 735 60	12.92
Accessories		
Counter-seal for adapters 1 and 4	09 735 25	0.80
Shop packaging 		
Euro set D		
comprising adapters 1 to 4	69 735 00	25.10
Individual nozzles		
Adapter 1: Italy, Switzerland KLF M x M10 x 1 M	69 735 21	7.48
Adapter 2: Greece, Italy, Austria, Slovenia KLF M x Ital.AF	69 735 22	7.48
Adapter 3: UK, Finland, Iceland, Norway, Portugal, Sweden KLF M x Primus M	69 735 23	7.48
Adapter 4: Belgium, UK, France, Ireland, Croatia, Latvia, Luxembourg, Macedonia, Montenegro, Netherlands, Switzerland, Serbia, Slovakia, Slovenia, Spain, Czech Republic KLF M x W21.8 x 1/14 lh F	69 735 03	7.48
Long version (total length: 40 mm)		
KLF M x W21.8 x 1/14 lh F	69 735 07	14.52

Pipe system



Euro set CH/FR Professional

for connecting a pressure regulator with a Shell-F connection to gas cylinders with common European connections
 consisting of: EuroTool in toolbox with 3 exchangeable inserts and adapters FR1 to 4 from Euro set CH/FR

Advantages and equipment

- just one tool with three different exchangeable inserts, suitable for European cylinder connections
- simple and safe exchangeable system
- toolbox (H/W/D: 235 x 185 x 48mm)
- adapter FR1: Italy, Switzerland (Shell-F M x M10 x 1 M)
- adapter FR2: Greece, Italy, Austria, Slovenia (Shell-F M x Ital.A F)
- adapter FR3: UK, Finland, Iceland, Norway, Portugal, Sweden (Shell-F M x Primus M)
- adapter FR4: Germany, UK, Ireland, Croatia, Latvia, Luxembourg, Macedonia, Montenegro, Netherlands, Switzerland, Serbia, Slovakia, Slovenia, Spain, Czech Republic (Shell-F M x W21.8 x 1/14 lh F)

Technical data

- material: EuroTool: special polyamide with glass fibre reinforcement (developed for tools)
- exchangeable inserts: special polyamide with glass fibre reinforcement (developed for tools)
- adapter: brass

Shop packaging

Euro set CH/FR Professional in toolbox
 complete

Part no. € / 1 pc.

69 739 10 47.44

Euro set CH/FR

for connecting a pressure regulator with a Shell-F connection to gas cylinders with common European connections

Euro set CH/FR

consisting of adapters FR1 to FR4

Individual nozzles

Adapter FR1: Italy, Switzerland

Shell-F M x M10 x 1 M

Adapter FR2: Greece, Italy, Austria, Slovenia

Shell-F M x Ital.A F

Adapter FR3: UK, Finland, Iceland, Norway, Portugal, Sweden

Shell-F M x Primus M

Adapter FR4: Germany, UK, Ireland, Croatia, Latvia, Luxembourg, Macedonia, Montenegro, Netherlands, Austria, Poland, Russia, Serbia, Slovakia, Slovenia, Spain, Czech Republic

Shell-F M x W21.8 x 1/14 lh F

Shop packaging

Euro set CH/FR

consisting of adapters FR1 to FR4

Individual nozzles

Adapter FR4: Germany, UK, Ireland, Croatia, Latvia, Luxembourg, Macedonia, Montenegro, Netherlands, Austria, Poland, Russia, Serbia, Slovakia, Slovenia, Spain, Czech Republic

Shell-F M x W21.8 x 1/14 lh F

Part no. € / 1 pc.

09 739 00 23.50

09 739 31 5.88

09 739 32 5.88

09 739 33 5.88

09 739 34 5.88

69 739 00 25.10

69 739 04 7.48



Pipe system



Euro adapter

Part no.

€/ 1 pc.

for connecting a pressure regulator with a German connection to a gas cylinder

Shop packaging

Euro adapter

KLF M x POL

62 504 00

22.59

KLF M x Brit.POL

62 504 01

22.59

KLF M x POL-WF

62 504 02

22.59

Adapter International

Part no.

€/ 1 pc.



for connecting a pressure regulator with a POL connection to a gas cylinder

Advantages and equipment

- version with combined fitting for optional connection to 5, 11 or 33 kg gas cylinders

Shop packaging

Adapter International

KLF x POL F

69 727 00

22.84

Komb.A x Brit.POL F

62 523 01

23.84

EU-Shell x POL F

69 727 01

22.84

Euro filling set D

Part no.

€/ 1 pc.

for filling German gas cylinders through authorised European filling stations

Euro filling set D

consisting of filling adapters D1 to D4

09 738 00

23.50

Individual nozzles

Filling adapter D1: Italy, Switzerland

M10 x 1 F x KLF F

09 738 31

5.88

Filling adapter D2: Greece, Italy, Austria, Slovenia

Ital.A M x KLF F

09 738 32

5.88

Filling adapter D3: UK, Finland, Iceland, Norway, Portugal, Sweden

Primus F x KLF F

09 738 33

5.88

Filling adapter D4: Belgium, UK, France, Ireland, Croatia, Latvia, Luxembourg, Macedonia, Montenegro, Netherlands, Switzerland, Serbia, Slovakia, Slovenia, Spain, Czech Republic

W21.8 x 1/14 lh M x KLF F

09 738 34

5.88

Shop packaging

Euro filling set D

consisting of filling adapters D1 to D4

69 738 00

25.10

Individual nozzles

Filling adapter D1: Italy, Switzerland

M10 x 1 F x KLF F

69 738 07

7.48

Filling adapter D2: Greece, Italy, Austria, Slovenia

Ital.A M x KLF F

69 738 08

7.48

Filling adapter D3: UK, Finland, Iceland, Norway, Portugal, Sweden

Primus F x KLF F

69 738 09

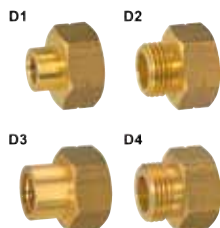
7.48

Filling adapter D4: Belgium, UK, France, Ireland, Croatia, Latvia, Luxembourg, Macedonia, Montenegro, Netherlands, Switzerland, Serbia, Slovakia, Slovenia, Spain, Czech Republic

W21.8 x 1/14 lh M x KLF F

69 738 02

7.48



Pipe system

Clip-on adapter

Part no.

€/ 1 pc.

for connecting a pressure regulator with a German connection to gas cylinders with clip-on connection

Advantages and equipment

- integrated shut-off valve
- the shut-off valve can be opened or closed only when the adapter is connected

Clip-on adapter

JUMBO 35 mm version

for Denmark, UK, Finland, France, Ireland, Norway, Portugal, Sweden, Spain, Cyprus

Clip-On (G.56) x KLF M

20 036 35

36.92

Shop packaging 

Clip-on adapter

21 mm version

for Denmark, UK, Ireland

Clip-On (G.53) x KLF M

80 036 00

38.40



Locking screw

Part no.

€/ 1 pc.

as a secure cover to protect against damage or contamination of the inlet connector of pressure regulators or high pressure hose assemblies

useful if the connection between the gas cylinders and fittings is disconnected or the gas system is at a standstill for a long period of time

Advantages and equipment

- with fastening clip

Technical data

- material: plastic
- male thread: W21.8 x 1/14 lh

Note

- The locking screw must not be used on regulators with a gas non-return valve, such as Caramatic BasicTwo!
- The pressure regulator is not included in the scope of delivery!

Shop packaging 

Locking screw

for KLF, GF, Kombi and Shell coupling nuts

60 300 92

5.64



Pipe system



Hull / wall duct

Part no.

€/ 1 pc.

to guide the regulator ventilation line of the pre-pressure regulator through the hull or vehicle wall

Advantages and equipment

- simple and secure assembly through the hull or vehicle wall
- avoidance of damage to the ventilation line through assembly near the pre-pressure regulator

Technical data

- material: hull / wall duct: chrome-plated brass
sealing for inside and outside: teflon
nut and washer for inside: stainless steel

Hull / wall duct

for wall thicknesses up to 8 mm

11 445 08

44.90

for wall thicknesses of 15 to 40 mm

11 445 40

57.90

Shop packaging

Hull / wall duct

for wall thicknesses up to 8 mm

71 445 00

46.50

for wall thicknesses of 15 to 40 mm

71 445 02

59.50

Hose guard

Part no.

€/ 1 pc.

for the protection of hose assemblies in the hose dimensions 6.3 x 3.5 mm

For LPG systems on boats according to EN ISO 10239, piping and hose assemblies in the area of the passage through walls and/or bulkheads must be protected against abrasion or chafing.

Technical data

- material: EPDM
- dimensions: wall bore: approx. 22 mm
wall thickness: maximum: 22 mm

Note

- The hose assembly is not included in the scope of delivery!

Hose guard

complete Cont. 10 units

02 048 82

45.90



Pipe system



Adapter

for use in piping and fittings

Adapter

female thread x pipe socket

1/2 UNF F x pipe socket 8

Part no.

€/ 1 pc.

02 523 00

5.56

female thread x compression fitting

with coupling nut type M and olive type DU

1/2 UNF F x compr. fit. 8

02 527 00

10.40

pipe socket x compression fitting

with coupling nut type M and olive type D-MS

pipe socket 8 x compr. fit. 10 series L

02 082 00

5.22

male thread x compression fitting

with coupling nut type M-MS and olive type D-MS

G 1/4 lh M x compr. fit. 8

14 516 00

8.52

male thread x soldering socket for outer pipe diameter

G 1/4 lh M x 8 mm

14 515 00

5.74

coupling nut x pipe socket

with coupling nut type M and olive type D assembled

G 1/4 lh nut x pipe socket 8 90°

04 046 00

13.20

with coupling nut type M and olive type DU assembled

G 1/4 lh nut x pipe socket 8

04 047 00

3.16

coupling nut x male thread

G 1/2 nut x G 1/4 lh M

02 501 02

9.98

Shop packaging

Adapter

female thread x pipe socket

1/2 UNF F x pipe socket 8

62 523 00

7.16

female thread x compression fitting

with coupling nut type M and olive type DU

1/2 UNF F x compr. fit. 8

62 527 00

12.00

pipe socket x compression fitting

with coupling nut type M and olive type D-MS

pipe socket 8 x compr. fit. 10 series L

62 082 00

6.82

male thread x compression fitting

with coupling nut type M-MS and olive type D-MS

G 1/4 lh M x compr. fit. 8

74 516 00

10.12

male thread x soldering socket for outer pipe diameter

G 1/4 lh M x 8 mm

74 515 00

7.34

coupling nut x pipe socket

with coupling nut type M and olive type D assembled

G 1/4 lh nut x pipe socket 8 90°

64 046 00

14.80

with coupling nut type M and olive type DU assembled

G 1/4 lh nut x pipe socket 8

64 047 00

4.76

coupling nut x male thread

G 1/2 nut x G 1/4 lh M

62 501 00

11.58

Pipe system



Fitting	Part no.	€/ 1 pc.
for the connection of a low pressure regulator type EN61, EN61-DS or EN71 to the Caramatic SwitchTwo		
Shop packaging		
Fitting		
M20 x 1.5 M x KLF M	71 508 00	14.20
M20 x 1.5 M x POL F	71 508 05	14.20
M20 x 1.5 M x W20 M x 1/14 g M	71 508 06	14.20
M20 x 1.5 M x Shell-F M	71 508 04	14.20
Accessories		
Adapter coupling nut x pipe socket 8	64 047 00	4.76
Straight compression fitting type G compr. fit. 8 x compr. fit. 8	67 702 00	4.25
Straight reducing compression fitting type GR compr. fit. 10 x compr. fit. 8	67 727 00	6.02



Fitting for piping	Part no.	€/ 1 pc.
precision steel pipe with assembled nut and olive, for assembly on the conical connection of a compression fitting		
Fitting for piping with coupling nut type M and olive type D assembled		
pipe socket 8 x pipe socket 8 x 50 mm	02 524 00	4.92
pipe socket 10 x pipe socket 10 x 50 mm	02 524 10	5.26
Shop packaging		
Fitting for piping with coupling nut type M and olive type D assembled		
pipe socket 8 x pipe socket 8 x 50 mm	62 524 00	6.52
pipe socket 10 x pipe socket 10 x 50 mm	62 524 02	6.86



Adapter	Part no.	€/ 1 pc.
to connect regulators, hose assemblies, fittings and piping		
Adapter		
G 1/4 lh M x pipe socket 8	14 040 00	2.24
Shop packaging		
Adapter male thread x pipe socket		
G 1/4 lh M x pipe socket 8	74 040 00	3.84



Hose coupling	Part no.	€/ 1 pc.
for connecting and extending hose assemblies		
Technical data		
• material: brass		
Hose coupling		
G 1/4 lh M x G 1/4 lh M	14 013 00	2.02
Shop packaging		
Hose coupling		
G 1/4 lh M x G 1/4 lh M	74 013 00	3.62

Pipe system



90° fitting

for use with hose assemblies and fittings

Technical data

- material: brass

90° fitting

G 1/4 lh nut x G 1/4 lh M

Shop packaging

90° fitting

G 1/4 lh nut x G 1/4 lh M

Part no.

€/ 1 pc.

04 048 00

11.06

64 048 00

12.66



Medium pressure hose assembly rubber

to connect fittings with a gas BBQ, such as from the Outdoorchef series

Technical data

- maximum admissible pressure: PS 10 bar
- hose: **rubber with textile lining**
- cold resistant up to -30 °C

Note

- Our hose assemblies are supplied with a tag and notice of the year of replacement.

Medium pressure hose assembly rubber

hose dimensions 6.3 x 3.5 mm

connections: coupling nut x coupling nut

G 1/4 lh nut x 5/8 UNF nut x 800 mm

G 1/4 lh nut x 5/8 UNF nut x 1000 mm

Shop packaging

Medium pressure hose assembly rubber

hose dimensions 6.3 x 3.5 mm

connections: coupling nut x coupling nut

G 1/4 lh nut x 5/8 UNF nut x 1000 mm

Other versions, connections or dimensions on request.

Part no.

€/ 1 pc.

04 508 04

9.52

04 508 10

10.40

64 508 00

13.00

Pipe system



-30 °C

Medium pressure hose assembly rubber

Part no.

€/ 1 pc.

to connect fittings, consumer equipment and piping

Conformity

- DVGW [German Association of Gas and Water] type test certificate

Technical data

- maximum admissible pressure: PS 10 bar
- hose: **rubber with textile lining**
- cold resistant up to -30 °C

Note

- Our hose assemblies are supplied with a tag and notice of the year of replacement.

Medium pressure hose assembly rubber

hose dimensions 6.3 x 3.5 mm

connections: coupling nut x compression fitting with coupling nut type M and olive type D

G 1/4 lh nut	x	compr. fit. 8	x	400 mm	04 402 00	5.10
G 1/4 lh nut	x	compr. fit. 8	x	450 mm	04 401 02	5.42
G 1/4 lh nut	x	compr. fit. 8	x	600 mm	04 404 00	5.92
G 1/4 lh nut	x	compr. fit. 8	x	750 mm	04 405 01	6.84
G 1/4 lh nut	x	compr. fit. 8	x	800 mm	04 405 00	6.84
G 1/4 lh nut	x	compr. fit. 8	x	1000 mm	04 406 00	7.66
G 1/4 lh nut	x	compr. fit. 8	x	1500 mm	04 408 00	9.60
G 1/4 lh nut	x	compr. fit. 8	x	2000 mm	04 422 00	11.74
G 1/4 lh nut	x	compr. fit. 8	x	3000 mm	04 423 00	16.36
G 1/4 lh nut	x	compr. fit. 10	x	400 mm	04 409 03	7.00
G 1/4 lh nut	x	compr. fit. 10	x	750 mm	04 409 07	8.88
G 1/4 lh nut	x	compr. fit. 10	x	1000 mm	04 409 02	9.74

connections: coupling nut x pipe socket

G 1/4 lh nut	x	pipe socket 8	x	400 mm	04 436 02	6.30
G 1/4 lh nut	x	pipe socket 8	x	800 mm	04 436 09	8.18
G 1/4 lh nut	x	pipe socket 8	x	1000 mm	04 436 00	9.08
G 1/4 lh nut	x	pipe socket 8	x	1500 mm	04 436 06	10.90
G 1/4 lh nut	x	pipe socket 8	x	2000 mm	04 436 10	13.16

connections: coupling nut x coupling nut

G 1/4 lh nut	x	G 1/4 lh nut	x	400 mm	04 454 02	4.98
G 1/4 lh nut	x	G 1/4 lh nut	x	800 mm	04 407 00	6.84
G 1/4 lh nut	x	G 1/4 lh nut	x	1000 mm	04 454 00	7.64
G 1/4 lh nut	x	G 1/4 lh nut	x	1500 mm	04 455 00	9.52
G 1/4 lh nut	x	G 1/4 lh nut	x	2000 mm	04 456 00	11.84
G 1/4 lh nut	x	G 1/4 lh nut	x	3000 mm	04 457 00	16.36
G 1/4 lh nut	x	G 1/4 lh nut	x	5000 mm	04 457 01	28.32

connections: coupling nut x plug-in fitting

G 1/4 lh nut	x	plug-in fitting	x	400 mm	04 221 00	7.84
G 1/4 lh nut	x	plug-in fitting	x	800 mm	04 222 00	9.52
G 1/4 lh nut	x	plug-in fitting	x	1000 mm	04 223 00	10.58
G 1/4 lh nut	x	plug-in fitting	x	1500 mm	04 224 00	12.26
G 1/4 lh nut	x	plug-in fitting	x	2000 mm	04 225 00	14.48
G 1/4 lh nut	x	plug-in fitting	x	3000 mm	04 227 00	19.10
G 1/4 lh nut	x	plug-in fitting	x	5000 mm	04 227 05	31.08



Pipe system

Medium pressure hose assembly rubber	Part no.	€/ 1 pc.
Shop packaging 		
Medium pressure hose assembly rubber		
hose dimensions 6.3 x 3.5 mm		
connections: coupling nut x compression fitting		
with coupling nut type M and olive type D		
G 1/4 lh nut x compr. fit. 8 x 400 mm	64 402 00	7.70
G 1/4 lh nut x compr. fit. 8 x 450 mm	64 401 04	8.02
G 1/4 lh nut x compr. fit. 8 x 600 mm	64 404 00	8.52
G 1/4 lh nut x compr. fit. 8 x 750 mm	64 405 01	9.44
G 1/4 lh nut x compr. fit. 8 x 800 mm	64 405 00	9.44
G 1/4 lh nut x compr. fit. 8 x 1000 mm	64 406 00	10.26
G 1/4 lh nut x compr. fit. 8 x 1500 mm	64 408 00	12.20
G 1/4 lh nut x compr. fit. 8 x 2000 mm	64 422 00	14.34
G 1/4 lh nut x compr. fit. 8 x 3000 mm	64 423 01	18.96
G 1/4 lh nut x compr. fit. 10 x 400 mm	64 409 00	9.60
G 1/4 lh nut x compr. fit. 10 x 750 mm	64 409 02	11.48
G 1/4 lh nut x compr. fit. 10 x 1000 mm	64 409 07	12.34
connections: coupling nut x pipe socket		
G 1/4 lh nut x pipe socket 8 x 400 mm	64 436 03	8.90
connections: coupling nut x coupling nut		
G 1/4 lh nut x G 1/4 lh nut x 400 mm	64 454 08	7.58
G 1/4 lh nut x G 1/4 lh nut x 800 mm	64 407 00	9.44
G 1/4 lh nut x G 1/4 lh nut x 1000 mm	64 454 00	10.24
G 1/4 lh nut x G 1/4 lh nut x 1500 mm	64 455 00	12.12
G 1/4 lh nut x G 1/4 lh nut x 2000 mm	64 456 00	14.44
G 1/4 lh nut x G 1/4 lh nut x 3000 mm	64 457 00	18.96
G 1/4 lh nut x G 1/4 lh nut x 5000 mm	64 457 03	29.92
G 3/8 lh nut x G 3/8 lh nut x 450 mm	64 505 11	15.47
connections: coupling nut x plug-in fitting		
G 1/4 lh nut x plug-in fitting x 400 mm	64 221 01	10.44
G 1/4 lh nut x plug-in fitting x 800 mm	64 222 00	12.12
G 1/4 lh nut x plug-in fitting x 1000 mm	64 223 00	13.18
G 1/4 lh nut x plug-in fitting x 1500 mm	64 224 00	14.86
G 1/4 lh nut x plug-in fitting x 2000 mm	64 225 00	17.08
G 1/4 lh nut x plug-in fitting x 3000 mm	64 227 01	21.70
G 1/4 lh nut x plug-in fitting x 5000 mm	64 227 00	32.68
Other versions, connections or dimensions on request.		

Pipe system

Medium pressure hose assembly plastic

Part no.

€/ 1 pc.

to connect fittings, consumer equipment and piping

Conformity

- DVGW [German Association of Gas and Water] type test certificate

Technical data

- maximum admissible pressure: PS 10 bar
- hose: **plastic with textile lining**

Note

- Our hose assemblies are supplied with a tag and notice of the year of replacement.

Medium pressure hose assembly plastic

hose dimensions 6.3 x 3.5 mm

with coupling nut type M and olive type D

G 1/4 lh nut	x	compr. fit. 8	x	400 mm	04 402 30	4.08
G 1/4 lh nut	x	compr. fit. 8	x	500 mm	04 403 30	4.40
G 1/4 lh nut	x	compr. fit. 8	x	750 mm	04 405 31	6.12
G 1/4 lh nut	x	compr. fit. 8	x	800 mm	04 405 30	5.10
G 1/4 lh nut	x	compr. fit. 8	x	1000 mm	04 406 30	5.72
G 1/4 lh nut	x	compr. fit. 8	x	1500 mm	04 408 30	7.14
G 1/4 lh nut	x	compr. fit. 8	x	3000 mm	04 423 30	12.06
G 1/4 lh nut	x	compr. fit. 10	x	400 mm	04 409 31	5.92
G 1/4 lh nut	x	compr. fit. 10	x	800 mm	04 409 33	7.10
G 1/4 lh nut	x	compr. fit. 10	x	1000 mm	04 409 35	7.74

connections: coupling nut x male thread

G 1/4 lh nut	x	G 1/4 lh M	x	2000 mm	04 660 00	9.90
G 1/4 lh nut	x	G 1/4 lh M	x	3000 mm	04 661 00	13.26

connections: coupling nut x coupling nut

G 1/4 lh nut	x	G 1/4 lh nut	x	400 mm	04 454 34	4.18
G 1/4 lh nut	x	G 1/4 lh nut	x	800 mm	04 407 30	5.10
G 1/4 lh nut	x	G 1/4 lh nut	x	1000 mm	04 454 30	5.66
G 1/4 lh nut	x	G 1/4 lh nut	x	1500 mm	04 455 30	7.12
G 1/4 lh nut	x	G 1/4 lh nut	x	2000 mm	04 456 30	8.64
G 1/4 lh nut	x	G 1/4 lh nut	x	3000 mm	04 457 30	11.80
G 1/4 lh nut	x	G 1/4 lh nut	x	5000 mm	04 458 30	17.86

Shop packaging

Medium pressure hose assembly plastic

hose dimensions 6.3 x 3.5 mm

with coupling nut type M and olive type D

G 1/4 lh nut	x	compr. fit. 8	x	400 mm	64 402 02	6.68
G 1/4 lh nut	x	compr. fit. 8	x	800 mm	64 405 03	7.70
G 1/4 lh nut	x	compr. fit. 8	x	1000 mm	64 406 02	8.32
G 1/4 lh nut	x	compr. fit. 8	x	1500 mm	64 408 02	9.74
G 1/4 lh nut	x	compr. fit. 8	x	3000 mm	64 423 00	14.66
G 1/4 lh nut	x	compr. fit. 10	x	400 mm	64 409 09	8.52

connections: coupling nut x male thread

G 1/4 lh nut	x	G 1/4 lh M	x	3000 mm	64 661 00	15.86
--------------	---	------------	---	---------	-----------	-------

connections: coupling nut x coupling nut

G 1/4 lh nut	x	G 1/4 lh nut	x	400 mm	64 454 03	6.78
G 1/4 lh nut	x	G 1/4 lh nut	x	800 mm	64 407 01	7.70
G 1/4 lh nut	x	G 1/4 lh nut	x	1000 mm	64 454 02	8.26
G 1/4 lh nut	x	G 1/4 lh nut	x	1500 mm	64 455 01	9.72
G 1/4 lh nut	x	G 1/4 lh nut	x	2000 mm	64 456 01	11.24
G 1/4 lh nut	x	G 1/4 lh nut	x	3000 mm	64 457 01	14.40
G 1/4 lh nut	x	G 1/4 lh nut	x	5000 mm	64 458 00	19.46

Other versions, connections or dimensions on request.





Pipe system




-30 °C



	Part no.	€/ 1 pc.
Medium pressure hose assembly corrosion resistant		
to connect fittings, consumer equipment and piping		
Conformity		
• DVGW [German Association of Gas and Water] type test certificate		
Technical data		
• maximum admissible pressure: PS 10 bar		
• material: connections: brass		
compressive sleeves: stainless steel		
• hose: rubber with textile lining		
• cold resistant up to -30 °C		
Note		
• Our hose assemblies are supplied with a tag and notice of the year of replacement.		
Medium pressure hose assembly corrosion resistant hose dimensions 6.3 x 3.5 mm		
connections: compression fitting x compression fitting with coupling nut type M-MS and olive type D-MS		
compr. fit. 8 x compr. fit. 8 x 400 mm	04 440 06	12.78
compr. fit. 8 x compr. fit. 8 x 600 mm	04 440 10	14.26
compr. fit. 8 x compr. fit. 8 x 800 mm	04 440 07	15.82
connections: compression fitting x pipe socket with coupling nut type M-MS and olive type D-MS		
compr. fit. 8 x pipe socket 8 x 400 mm	04 440 03	11.52
compr. fit. 8 x pipe socket 8 x 600 mm	04 440 05	13.06
compr. fit. 8 x pipe socket 8 x 800 mm	04 440 04	14.62
compr. fit. 8 x pipe socket 8 x 1000 mm	04 440 17	16.16
connections: pipe socket x pipe socket		
pipe socket 8 x pipe socket 8 x 400 mm	04 441 00	10.40
pipe socket 8 x pipe socket 8 x 600 mm	04 441 03	11.84
pipe socket 8 x pipe socket 8 x 800 mm	04 441 02	13.38
pipe socket 8 x pipe socket 8 x 1000 mm	04 441 01	14.94
connections: coupling nut x compression fitting with coupling nut type M-MS and olive type D-MS		
G 1/4 lh nut x compr. fit. 8 x 400 mm	04 440 01	12.38
G 1/4 lh nut x compr. fit. 8 x 600 mm	04 440 18	14.26
G 1/4 lh nut x compr. fit. 8 x 800 mm	04 440 21	15.82
G 1/4 lh nut x compr. fit. 8 x 1000 mm	04 440 36	17.36
connections: coupling nut x pipe socket		
G 1/4 lh nut x pipe socket 8 x 400 mm	04 440 00	11.52
G 1/4 lh nut x pipe socket 8 x 600 mm	04 440 19	13.06
G 1/4 lh nut x pipe socket 8 x 800 mm	04 440 09	14.62
G 1/4 lh nut x pipe socket 8 x 1000 mm	04 440 08	16.16
connections: coupling nut x coupling nut		
G 1/4 lh nut x G 1/4 lh nut x 400 mm	04 440 22	12.84
G 1/4 lh nut x G 1/4 lh nut x 600 mm	04 407 15	14.24
G 1/4 lh nut x G 1/4 lh nut x 800 mm	04 440 37	16.26
G 1/4 lh nut x G 1/4 lh nut x 1000 mm	04 454 15	17.28
hose dimensions 9.0 x 3.5 mm		
connections: coupling nut x compression fitting with coupling nut type M-MS and olive type D-MS		
G 1/2 lh nut x compr. fit. 12 x 400 mm	04 444 11	28.56
Spare Part		
Hose guard / cont. 10 units	02 048 82	45.90

Pipe system

Medium pressure hose assembly corrosion resistant	Part no.	€/ 1 pc.
Shop packaging 		
Medium pressure hose assembly corrosion resistant		
hose dimensions 6.3 x 3.5 mm		
connections: compression fitting x compression fitting		
with coupling nut type M-MS and olive type D-MS		
compr. fit. 8 x compr. fit. 8 x 400 mm	64 440 06	15.38
compr. fit. 8 x compr. fit. 8 x 600 mm	64 440 23	16.86
compr. fit. 8 x compr. fit. 8 x 800 mm	64 440 09	18.42
connections: compression fitting x pipe socket		
with coupling nut type M-MS and olive type D-MS		
compr. fit. 8 x pipe socket 8 x 400 mm	64 440 04	14.12
compr. fit. 8 x pipe socket 8 x 600 mm	64 440 22	15.66
compr. fit. 8 x pipe socket 8 x 800 mm	64 440 38	17.22
compr. fit. 8 x pipe socket 8 x 1000 mm	64 440 39	18.76
connections: pipe socket x pipe socket		
pipe socket 8 x pipe socket 8 x 400 mm	64 441 05	13.00
pipe socket 8 x pipe socket 8 x 600 mm	64 441 03	14.44
pipe socket 8 x pipe socket 8 x 800 mm	64 441 07	15.98
pipe socket 8 x pipe socket 8 x 1000 mm	64 441 06	17.54
connections: coupling nut x compression fitting		
with coupling nut type M-MS and olive type D-MS		
G 1/4 lh nut x compr. fit. 8 x 400 mm	64 440 02	14.98
G 1/4 lh nut x compr. fit. 8 x 600 mm	64 440 12	16.86
G 1/4 lh nut x compr. fit. 8 x 800 mm	64 440 14	18.42
G 1/4 lh nut x compr. fit. 8 x 1000 mm	64 440 13	19.96
connections: coupling nut x pipe socket		
G 1/4 lh nut x pipe socket 8 x 400 mm	64 440 00	14.12
G 1/4 lh nut x pipe socket 8 x 600 mm	64 440 25	15.66
G 1/4 lh nut x pipe socket 8 x 1000 mm	64 440 11	18.76
connections: coupling nut x coupling nut		
G 1/4 lh nut x G 1/4 lh nut x 400 mm	64 440 15	15.44
G 1/4 lh nut x G 1/4 lh nut x 600 mm	64 407 04	16.84
G 1/4 lh nut x G 1/4 lh nut x 800 mm	64 440 41	18.86
G 1/4 lh nut x G 1/4 lh nut x 1000 mm	64 454 11	19.88
connections: coupling nut x plug-in fitting		
G 1/4 lh nut x plug-in fitting x 1500 mm	64 440 40	23.00
hose dimensions 9.0 x 3.5 mm		
connections: coupling nut x compression fitting		
with coupling nut type M-MS and olive type D-MS		
G 1/2 lh nut x compr. fit. 12 x 400 mm	64 444 00	31.16
Other versions, connections or dimensions on request.		

Pipe system

Quick-acting stop valve type DSV

Part no.

€/ 1 pc.

quick-closing valve, only completely open or closed setting

Advantages and equipment

- activation element: twist grip
- low pressure loss thanks to optimised function

Conformity

- DIN DVGW [German Association of Gas and Water] type test certificate (except compr. fit. 12)

Technical data

- maximum permissible pressure: PS 16 bar
- material: housing: brass, nickel-plated
gaskets: NBR
twist grip: PA6 GB15

Note

- In the conversion process, the housing changes from nickel-plated brass to bright brass

**Quick-acting stop valve type DSV
compression fitting x compression fitting
with coupling nut type M and olive type D**

- compr. fit. 6 x compr. fit. 6
- compr. fit. 8 x compr. fit. 8
- compr. fit. 10 x compr. fit. 10

03 700 00	30.54
03 701 00	28.90
03 702 00	31.68

with coupling nut type M and olive type D-MS

- compr. fit. 6 x compr. fit. 6
- compr. fit. 8 x compr. fit. 8
- compr. fit. 10 x compr. fit. 10

03 700 06	30.82
03 701 06	29.18
03 702 06	32.00

**2 x compression fitting x compression fitting
with coupling nut type M and olive type D**

- compr. fit. 8 x compr. fit. 8 x compr. fit. 8

03 722 00	51.94
-----------	-------

**compression fitting x pipe socket
with coupling nut type M and olive type D**

- compr. fit. 8 x pipe socket 8

03 723 00	30.04
-----------	-------

Shop packaging

**Quick-acting stop valve type DSV
compression fitting x compression fitting
with coupling nut type M and olive type D**

- compr. fit. 6 x compr. fit. 6
- compr. fit. 8 x compr. fit. 8
- compr. fit. 10 x compr. fit. 10

63 700 00	32.14
63 701 00	30.50
63 702 00	33.28

with coupling nut type M and olive type D-MS

- compr. fit. 6 x compr. fit. 6
- compr. fit. 8 x compr. fit. 8
- compr. fit. 10 x compr. fit. 10

63 700 06	32.42
63 701 06	30.78
63 702 06	33.60

**2 x compression fitting x compression fitting
with coupling nut type M and olive type D**

- compr. fit. 8 x compr. fit. 8 x compr. fit. 8

63 722 00	54.54
-----------	-------

**compression fitting x pipe socket
with coupling nut type M and olive type D**


- compr. fit. 8 x pipe socket 8

63 723 00	32.64
-----------	-------



Pipe system



Fixing bracket	Part no.	€ / 1 pc.
to fasten a quick-acting stop valve or a control valve Technical data • material: steel Fixing bracket 17 mm, for 6, 8 and 10 mm valves Shop packaging  Fixing bracket 17 mm, for 6, 8 and 10 mm valves	03 700 70	4.90
Fixing bracket 17 mm, for 6, 8 and 10 mm valves	63 700 70	6.50

Pipe system

Information about compression fittings

For the correct selection and assembly of compression fittings, please refer to the GOK assembly manual and the data sheets for compression fittings and screw-in connectors (at www.gok.de/en/data-sheets or www.gok.de/en/installation-instructions).



Assembly instructions
Compression fittings



Data sheet
Compression fittings



Data sheet
Screw-in connectors

If you are installing a compression fitting with copper or aluminium pipe, you must use a reinforcement ring. For aluminium pipes, use a reinforcement ring made of steel!

All compression fittings with DVGW type approval certificate according to DIN 3387-1. The DIN 3387-1 standard specifies the requirements and tests for compression fittings (smooth pipe couplings) for connecting metal gas pipes, e.g. within the field of application of TRF (Technical Rules for LPG in Germany). The details of the design of compression fittings are mainly specified in EN ISO 8434-1, DIN 2353 or other standards. For a precise description, the standardised designations according to EN ISO 8434 are used (e.g. EN ISO 8434-1 - SC).

Straight compression fitting type G

Part no.

€/ 1 pc.

EN ISO 8434-1 - SC

Straight compression fitting type G with coupling nut type M and olive type D

compr. fit. 8 x compr. fit. 8 series L
compr. fit. 10 x compr. fit. 10 series L

07 702 00
07 703 00

2.65
3.89

Shop packaging

Straight compression fitting type G with coupling nut type M and olive type D

compr. fit. 8 x compr. fit. 8 series L
compr. fit. 10 x compr. fit. 10 series L

67 702 00
67 703 00

4.25
5.49

Other versions, connections or dimensions on request.



Elbow compression fitting type W

Part no.

€/ 1 pc.

EN ISO 8434-1 - EC

Elbow compression fitting type W with coupling nut type M and olive type D

compr. fit. 8 x compr. fit. 8 series L
compr. fit. 10 x compr. fit. 10 series L

07 708 00
07 709 00

6.10
7.63

Shop packaging

Elbow compression fitting type W with coupling nut type M and olive type D

compr. fit. 8 x compr. fit. 8 series L
compr. fit. 10 x compr. fit. 10 series L

67 708 00
67 709 00

7.70
9.23

Other versions, connections or dimensions on request.



Pipe system



T-shape compression fitting type T

Part no. € / 1 pc.

EN ISO 8434-1 - TC

T-shape compression fitting type T with coupling nut type M and olive type D

compr. fit. 8 x compr. fit. 8 x compr. fit. 8 series L
compr. fit. 10 x compr. fit. 10 x compr. fit. 10 series L

07 714 00 8.75
07 715 00 9.63

Shop packaging

T-shape compression fitting type T with coupling nut type M and olive type D

compr. fit. 8 x compr. fit. 8 x compr. fit. 8 series L
compr. fit. 10 x compr. fit. 10 x compr. fit. 10 series L

67 714 00 10.35
67 715 02 11.23

Other versions, connections or dimensions on request.

Straight reducing compression fitting type GR

Part no. € / 1 pc.



EN ISO 8434-1 - RDSC

Straight reducing compression fitting type GR with coupling nut type M and olive type D

compr. fit. 10 x compr. fit. 8 series L

07 727 00 4.42

Shop packaging

Straight reducing compression fitting type GR with coupling nut type M and olive type D

compr. fit. 10 x compr. fit. 8 series L

67 727 00 6.02

Other versions, connections or dimensions on request.

Elbow reducing compression fitting type WR

Part no. € / 1 pc.



EN ISO 8434-1 - RDEC

Elbow reducing compression fitting type WR with coupling nut type M and olive type D

compr. fit. 10 x compr. fit. 8 series L

07 734 00 9.73

Other versions, connections or dimensions on request.

T-shape reducing compression fitting type TR

Part no. € / 1 pc.



EN ISO 8434-1 - RDBTC or RDRTC

T-shape reducing compression fitting type TR with coupling nut type M and olive type D

compr. fit. 8 x compr. fit. 10 x compr. fit. 8 series L
compr. fit. 10 x compr. fit. 8 x compr. fit. 10 series L

07 748 00 16.88
07 763 00 14.77

Shop packaging

T-shape reducing compression fitting type TR with coupling nut type M and olive type D

compr. fit. 10 x compr. fit. 8 x compr. fit. 10 series L

67 763 00 16.37

Other versions, connections or dimensions on request.

Pipe system



Straight screw-in compression fitting conical type GERK

Part no.

€/ 1 pc.

DIN 2353 - type B with conical screwed plug DIN 3852-2 type C

Note

- Compression fittings with conical male thread R for parallel female thread Rp may only be screwed into components made of materials that are sufficiently ductile (e.g. steel, brass or aluminium).

Straight screw-in compression fitting conical type GERK with coupling nut type M and olive type D

compr. fit. 8 x R 1/2 M series L

07 794 00

4.39

Shop packaging 

Straight screw-in compression fitting conical type GERK with coupling nut type M and olive type D

compr. fit. 8 x R 1/2 M series L

67 794 00

5.99

Other versions, connections or dimensions on request.



Elbow screw-in compression fitting conical type WERK

Part no.

€/ 1 pc.

DIN 2353 - type G with conical screwed plug DIN 3852-2 - type C

Note

- Compression fittings with conical male thread R for parallel female thread Rp may only be screwed into components made of materials that are sufficiently ductile (e.g. steel, brass or aluminium).

Elbow screw-in compression fitting conical type WERK with coupling nut type M and olive type D

compr. fit. 8 x R 1/2 M series L

07 051 00

17.26

Shop packaging 

Elbow screw-in compression fitting conical type WERK with coupling nut type M and olive type D

compr. fit. 8 x R 1/2 M series L

67 051 00

18.86

Other versions, connections or dimensions on request.



Straight screw-on compression fitting type GAI

Part no.

€/ 1 pc.

one side compression fitting, other side female pipe thread tapped hole
DIN 3852-2 - type Y without counterbore, short version

Straight screw-on compression fitting type GAI with coupling nut type M and olive type D

compr. fit. 8 x G 1/2 F series L

07 768 00

5.21

Shop packaging 

Straight screw-on compression fitting type GAI with coupling nut type M and olive type D

compr. fit. 8 x G 1/2 F series L

67 768 00

6.81

Other versions, connections or dimensions on request.

Pipe system



Elbow screw-on compression fitting type WAI

Part no.

€/ 1 pc.

one side compression fitting, other side female pipe thread tapped hole
DIN 3852-2 - type Y without counterbore, short version

Elbow screw-on compression fitting type WAI with coupling nut type M and olive type D

compr. fit. 8 x G 1/2 F series L

07 780 00

11.57

Shop packaging 

Elbow screw-on compression fitting type WAI with coupling nut type M and olive type D

compr. fit. 8 x G 1/2 F series L

67 780 00

13.17

Other versions, connections or dimensions on request.

Straight reducer insert type RED

Part no.

€/ 1 pc.



connection reducer fitting based on EN ISO 8434-1, one side pipe socket with outside diameter, other side compression fitting

Straight reducer insert type RED with coupling nut type M and olive type D

pipe socket 10 x compr. fit. 8 series L

07 223 00

3.79

Shop packaging 

Straight reducer insert type RED with coupling nut type M and olive type D

pipe socket 10 x compr. fit. 8 series L

67 223 00

5.39

Other versions, connections or dimensions on request.

Adjustable elbow compression fitting type EVW

Part no.

€/ 1 pc.



compression fitting adjustable in direction, based on EN ISO 8434-1, one side compression fitting, other side pipe socket with outside diameter, 90° elbow

Adjustable elbow compression fitting type EVW with coupling nut type M and olive type D

compr. fit. 8 x pipe socket 8 series L

07 872 00

9.69

compr. fit. 10 x pipe socket 10 series L

07 873 00

9.80

Shop packaging 

Adjustable elbow compression fitting type EVW with coupling nut type M and olive type D

compr. fit. 8 x pipe socket 8 series L

67 872 00

11.29

compr. fit. 10 x pipe socket 10 series L

67 873 01

11.40

Other versions, connections or dimensions on request.

Pipe system



Straight bulkhead compression fitting type SV

Part no.

€/ 1 pc.

EN ISO 8434-1 - BHSC

Technical data

- Maximum bulkhead thickness: 16 mm

Straight bulkhead compression fitting type SV with coupling nut type M and olive type D

compr. fit. 8 x compr. fit. 8 series L

07 354 00

6.71

compr. fit. 10 x compr. fit. 10 series L

07 355 00

8.85

Shop packaging

Straight bulkhead compression fitting type SV with coupling nut type M and olive type D

compr. fit. 8 x compr. fit. 8 series L

67 354 00

8.31

compr. fit. 10 x compr. fit. 10 series L

67 355 02

10.45

Other versions, connections or dimensions on request.



Elbow bulkhead compression fitting type WSV

Part no.

€/ 1 pc.

EN ISO 8434-1 - BHEC

Technical data

- Maximum bulkhead thickness: 16 mm

Elbow bulkhead compression fitting type WSV with coupling nut type M and olive type D

compr. fit. 8 x compr. fit. 8 series L

07 371 00

15.22

compr. fit. 10 x compr. fit. 10 series L

07 372 00

21.29

Shop packaging

Elbow bulkhead compression fitting type WSV with coupling nut type M and olive type D

compr. fit. 8 x compr. fit. 8 series L

67 371 00

16.82

Other versions, connections or dimensions on request.



Pipe system

Information about brass compression fittings

For the correct selection and assembly of compression fittings, please refer to the GOK assembly manual and the data sheets for compression fittings and screw-in connectors (at www.gok.de/en/data-sheets or www.gok.de/en/installation-instructions).



Assembly instructions
Compression fittings



Data sheet
Compression fittings



Data sheet
Screw-in connectors

Material: brass (CW614N or CW617N).

All compression fittings with DVGW type approval certificate according to DIN 3387-1. The DIN 3387-1 standard specifies the requirements and tests for compression fittings (smooth pipe couplings) for connecting metal gas pipes, e.g. within the field of application of TRF (Technical Rules for LPG in Germany). The details of the design of compression fittings are mainly specified in EN ISO 8434-1, DIN 2353 or other standards. For a precise description, the standardised designations according to EN ISO 8434 are used (e.g. EN ISO 8434-1 - SC).

Straight compression fitting type G-MS

Part no.

€ / 1 pc.



EN ISO 8434-1 - SC

**Straight compression fitting type G-MS
with coupling nut type M-MS and olive type D-MS**
compr. fit. 8 x compr. fit. 8 series L

07 602 00

9.28

Shop packaging

**Straight compression fitting type G-MS
with coupling nut type M-MS and olive type D-MS**
compr. fit. 8 x compr. fit. 8 series L

67 602 01

10.88

Other versions, connections or dimensions on request.

Elbow compression fitting type W-MS

Part no.

€ / 1 pc.



EN ISO 8434-1 - EC

**Elbow compression fitting type W-MS
with coupling nut type M-MS and olive type D-MS**
compr. fit. 8 x compr. fit. 8 series L

07 608 00

13.20

Shop packaging

**Elbow compression fitting type W-MS
with coupling nut type M-MS and olive type D-MS**
compr. fit. 8 x compr. fit. 8 series L

67 608 01

14.80

Other versions, connections or dimensions on request.

Pipe system



T-shape compression fitting type T-MS

Part no.

€ / 1 pc.

EN ISO 8434-1 - TC

**T-shape compression fitting type T-MS
with coupling nut type M-MS and olive type D-MS**
compr. fit. 8 x compr. fit. 8 x compr. fit. 8 series L

07 614 00

16.34

Shop packaging

**T-shape compression fitting type T-MS
with coupling nut type M-MS and olive type D-MS**
compr. fit. 8 x compr. fit. 8 x compr. fit. 8 series L

67 614 01

17.94

Other versions, connections or dimensions on request.

Straight bulkhead compression fitting type SV-MS

Part no.

€ / 1 pc.



EN ISO 8434-1 - BHSC

Technical data

- Maximum bulkhead thickness: 16 mm

**Straight bulkhead compression fitting type SV-MS
with coupling nut type M-MS and olive type D-MS**
compr. fit. 8 x compr. fit. 8 series L

07 880 00

24.72

Shop packaging

**Straight bulkhead compression fitting type SV-MS
with coupling nut type M-MS and olive type D-MS**
compr. fit. 8 x compr. fit. 8 series L

67 880 01

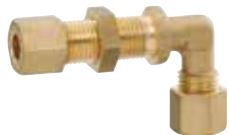
26.32

Other versions, connections or dimensions on request.

Elbow bulkhead compression fitting type WSV-MS

Part no.

€ / 1 pc.



EN ISO 8434-1 - BHEC

Technical data

- Maximum bulkhead thickness: 16 mm

**Elbow bulkhead compression fitting type WSV-MS
with coupling nut type M-MS and olive type D-MS
with washers**

compr. fit. 8 x compr. fit. 8 series L

07 681 05

31.69

without washers

compr. fit. 8 x compr. fit. 8 series L

07 681 00

27.76

Shop packaging

**Elbow bulkhead compression fitting type WSV-MS
with coupling nut type M-MS and olive type D-MS
with washers**

compr. fit. 8 x compr. fit. 8 series L

67 681 05

33.29

without washers

compr. fit. 8 x compr. fit. 8 series L

67 681 01

29.36

Other versions, connections or dimensions on request.

Pipe system

Information about stainless steel compression fittings

For the correct assembly of stainless steel compression fittings, we recommend that you use a pre-assembly socket and a lubricant.

For the correct selection and assembly of compression fittings, please refer to the GOK assembly manual and the data sheets for compression fittings and screw-in connectors (at www.gok.de/en/data-sheets or www.gok.de/en/installation-instructions).



Assembly instructions
Compression fittings



Data sheet
Compression fittings



Data sheet
Screw-in connectors

Material: stainless steel (1.4571).

All compression fittings with DVGW type approval certificate according to DIN 3387-1. The DIN 3387-1 standard specifies the requirements and tests for compression fittings (smooth pipe couplings) for connecting metal gas pipes, e.g. within the field of application of TRF (Technical Rules for LPG in Germany). The details of the design of compression fittings are mainly specified in EN ISO 8434-1, DIN 2353 or other standards. For a precise description, the standardised designations according to EN ISO 8434 are used (e.g. EN ISO 8434-1 - SC).

Straight compression fitting stainless steel type G-X

Part no.

€/ 1 pc.



EN ISO 8434-1 - SC

**Straight compression fitting stainless steel type G-X
with coupling nut type M-X and olive type D-X**

compr. fit. 8 x compr. fit. 8 series L

compr. fit. 10 x compr. fit. 10 series L

Other versions, connections or dimensions on request.

07 502 00

24.05

07 503 00

25.85

Elbow compression fitting stainless steel type W-X

Part no.

€/ 1 pc.



EN ISO 8434-1 - EC

**Elbow compression fitting stainless steel type W-X
with coupling nut type M-X and olive type D-X**

compr. fit. 8 x compr. fit. 8 series L

compr. fit. 10 x compr. fit. 10 series L

Other versions, connections or dimensions on request.

07 508 00

34.19

07 509 00

39.76

Pipe system



T-shape compression fitting stainless steel type T-X

Part no.

€/ 1 pc.

EN ISO 8434-1 - TC

T-shape compression fitting stainless steel type T-X with coupling nut type M-X and olive type D-X

compr. fit. 8 x compr. fit. 8 x compr. fit. 8 series L
compr. fit. 10 x compr. fit. 10 x compr. fit. 10 series L

07 514 00

57.38

07 515 00

52.77

Other versions, connections or dimensions on request.

Straight bulkhead compression fitting stainless steel type SV-X

Part no.

€/ 1 pc.



EN ISO 8434-1 - BHSC

Technical data

- Maximum bulkhead thickness: 16 mm

Straight bulkhead compression fitting stainless steel type SV-X with coupling nut type M-X and olive type D-X

compr. fit. 8 x compr. fit. 8 series L

07 570 00

38.44

Other versions, connections or dimensions on request.

Pipe system



Pre-assembly socket type VOMO

Part no.

€/ 1 pc.

is a device for the secure pre-assembly of olives by hand

When assembling stainless steel compression fittings, pre-assembly should be done only in the hardened pre-assembly socket. Use lubricant for pre-assembly. Steel and brass compression fittings can also be pre-assembled in the pre-assembly socket.

Technical data

- material: steel, hardened

Pre-assembly socket type VOMO

compr. fit. 6 x compr. fit. 12

compr. fit. 8 x compr. fit. 10

compr. fit. 15 x compr. fit. 18

27 121 20

23.00

27 121 00

23.00

27 121 30

23.00

Accessories

Lubricant tube 100 g

07 599 50

42.70

Shop packaging

Accessories

Valve and fitting grease tube 20 g

71 510 00

5.20



Pre-assembly socket type VOMO

Part no.

€/ 1 pc.

is a device for the secure pre-assembly of olives with the use of a vice

When assembling stainless steel compression fittings, pre-assembly should be done only in the hardened pre-assembly socket. Use lubricant for pre-assembly. Steel and brass compression fittings can also be pre-assembled in the pre-assembly socket.

Technical data

- material: steel, hardened

Pre-assembly socket type VOMO

8 M14 x 1.5 M

10 M16 x 1.5 M

07 599 08

43.56

07 599 10

53.69

Accessories

Lubricant tube 100 g

07 599 50

42.70

Shop packaging

Accessories

Valve and fitting grease tube 20 g

71 510 00

5.20



Lubricant

Part no.

€/ 1 pc.

for pre-assembly and final assembly of stainless steel compression fittings

Lubricant

tube 100 g

07 599 50

42.70



Valve and fitting grease

Part no.

€/ 1 pc.

as a lubricant for gas fittings, actuators and gaskets

Technical data

- temperature range: -20°C to +150°C
- resistant to all gases / gas mixtures of the DVGW Code of Practice G 260

Shop packaging

Valve and fitting grease

tube 20 g

71 510 00

5.20

Pipe system



Coupling nut type M

Part no.

€/ 1 pc.

EN ISO 8434-1 - N

for compression fittings according to DIN 2353 / EN ISO 8434-1, pursuant to DIN 3870 series LL

Technical data

- material: steel, zinc-coated

Coupling nut type M

8 M14 x 1.5 F series L spanner size 17

07 108 00

0.48

10 M16 x 1.5 F series L spanner size 19

07 109 00

0.66

Shop packaging

Coupling nut type M

8 M14 x 1.5 F series L spanner size 17 Cont. 3 units

67 108 00

3.04

10 M16 x 1.5 F series L spanner size 19 Cont. 3 units

67 109 00

3.58



Coupling nut type M-MS

Part no.

€/ 1 pc.

for compression fittings according to DIN 2353 / EN ISO 8434-1, pursuant to DIN 3870 series L and according to EN ISO 8434-1 - N

Technical data

- material: brass

Coupling nut type M-MS

8 M14 x 1.5 F series L

07 108 05

1.82

10 M16 x 1.5 F series L

07 109 05

4.20

Shop packaging

Coupling nut type M-MS

8 M14 x 1.5 F series L Cont. 3 units

67 108 06

7.06

10 M16 x 1.5 F series L Cont. 3 units

67 109 03

14.20



Coupling nut stainless steel type M-X

Part no.

€/ 1 pc.

EN ISO 8434-1 - N

for compression fitting according to DIN 2353 / EN ISO 8434-1

Technical data

- material: stainless steel

Coupling nut stainless steel type M-X

8 M14 x 1.5 F series L

07 551 00

3.19

10 M16 x 1.5 F series L

07 552 00

4.24



Blind plug for distributor valve

Part no.

€/ 1 pc.

to block pipes

Technical data

- maximum admissible pressure: PS 25 bar
- material: brass

Note

- Can only be used with coupling nut!

Shop packaging

Blind plug for distributor valve

8 Cont. 3 units

63 505 00

4.98

10 Cont. 3 units

63 515 00

5.04

Pipe system



Olive type D

DIN 3861 - type A-St

Technical data

- material: steel, hardened
- surface protection: zinc-coated

Olive type D

8 series L

10 series L

Shop packaging

Olive type D

8 series L Cont. 5 units

10 series L Cont. 5 units

Part no.

€/ 1 pc.

07 151 00

0.38

07 152 00

0.48

67 151 02

3.50

67 152 03

4.00



Olive type D-MS

DIN 3861 – type A-MS, e.g. for installing copper pipe

Technical data

- material: brass

Note

- Maximum permitted working pressure according to compression fitting data sheet

Olive type D-MS

8 series L

10 series L

Shop packaging

Olive type D-MS

8 series L Cont. 5 units

10 series L Cont. 5 units

Part no.

€/ 1 pc.

07 171 00

0.45

07 172 00

0.52

67 171 00

3.85

67 172 00

4.20



Olive stainless steel type D-X

EN ISO 8434-1 - CR

DIN 3861 - type B-V

Technical data

- material: stainless steel

Olive stainless steel type D-X

8 series L

10 series L

Part no.

€/ 1 pc.

07 551 01

2.12

07 552 01

6.53

Pipe system



Blind nut type BM

for connections according to EN 560

Advantages and equipment

- with rubber gasket

Technical data

- material: brass

Blind nut type BM

G 1/4 lh nut

Part no.

€ / 1 pc.

04 002 09

3.14

Shop packaging

Blind nut type BM

G 1/4 lh nut Cont. 2 units

64 002 02

7.88



Blind plug with coupling nut type BSL

sealing plug with O-ring pursuant to EN ISO 8434-1 - PL with coupling nut pursuant to EN ISO 8434-1 - N for compression fittings pursuant to DIN 2353 / EN ISO 8434-1

Advantages and equipment

- tight sealing of piping
- blind plug cannot be lost

Blind plug with coupling nut type BSL

material: brass

8 M14 x 1.5 F series L

07 191 10

3.44

10 M16 x 1.5 F series L

07 192 10

3.48

Shop packaging

Blind plug with coupling nut type BSL

material: brass

8 M14 x 1.5 F series L Cont. 3 units

67 191 01

11.92

10 M16 x 1.5 F series L Cont. 3 units

67 192 00

12.04



Reinforcement ring type VSH

EN ISO 8434-1 - sleeve

for thin-walled pipes and soft pipe materials, e.g. copper pipe in compression fittings pursuant to EN ISO 8434-1 and clamping ring fittings pursuant to EN 12514-4

Note

- In Germany, the installation of copper pipes with reinforcement rings in an LPG system is permitted for the caravan and marine sectors only!

Reinforcement ring

type VSH-MS

material: brass

for outer pipe diameter x wall thickness in mm

8 x 1

08 093 00

0.54

10 x 1

08 094 00

0.64

Shop packaging

Reinforcement ring

type VSH-MS

material: brass

for outer pipe diameter x wall thickness in mm

8 x 1 Cont. 5 units

68 093 01

4.30

Pipe system



Leak detector spray

Part no.

€ / 1 pc.

allows safe and reliable leak detection in pipe systems

Conformity

- DIN DVGW [German Association of Gas and Water] type test certificate

Note

- Because of the German Hazardous Goods Ordinance, we can only deliver the following number of items per package:
Leak detector spray 125 ml / 72 cans
Leak detector spray 400 ml / 24 cans
For larger quantities despatched by mail, shipping costs increase in accordance with the number of packages.
- Foam-forming means for leak detection pursuant to EN 14291.
- Please only store upright.

Leak detector spray

spray can 125 ml

02 601 01

6.60

spray can 400 ml

02 601 00

8.60

Shop packaging 

Leak detector spray

spray can 125 ml

62 601 00

9.20



Leak detector spray, frostproof

Part no.

€ / 1 pc.

allows safe and reliable leak detection in pipe systems, including at low temperatures

Advantages and equipment

- can be used to -15 °C

Conformity

- DIN DVGW [German Association of Gas and Water] type test certificate

Note

- Because of the German Hazardous Goods Ordinance, we can only deliver the following number of items per package:
Leak detector spray 400 ml / 24 cans
For larger quantities despatched by mail, shipping costs increase in accordance with the number of packages.
- Foam-forming means for leak detection pursuant to EN 14291.
- Please only store upright.

Leak detector spray, frostproof

spray can 400 ml

02 602 00

11.00



Pipe system



Seamless precision steel pipe

Part no.

€/ 1 m

for piping in systems with liquid and gaseous operating media pursuant to EN 10305-1, seamless, cold-drawn

operating media:

diesel, LPG, fuel oil, fuel oil bio, industrial oil, petrol, inflammable gases and liquids of category 1 to 3 and non-flammable gases and liquids as well as water-endangering liquids

The seamless precision steel pipe meets the requirements:

- of AD 2000 instruction sheets HP 100 R and W 4
- of worksheet DWA-A 791
- pursuant to EN 10305-4 / ISO 10763 for connecting compression fittings pursuant to EN ISO 8434-1
- of MVV TB

Technical data

- technical delivery conditions according to EN 10305-1 and EN 10305-4, steel type E235+N (normal annealed in delivery condition), material number: 1.0308
- dimensions and tolerances according to EN 10305-1 and EN 10305-4
- surface design: galvanised coat according to EN 50961, layer thickness 8 up to 12 µm and with Cr-6-free passivation
- minimum and maximum temperature TS: 0 °C to +300 °C

Note

- If an inspection certificate 3.1 pursuant to EN 10204 is required, please indicate this separately when placing your order.
- The surcharge for wear and tear c_0 in the event of corrosion according to AD 2000 instruction sheet B0, also known as the corrosion surcharge c pursuant to EN 13480-3, amounts to $c_0 = 1$ mm for ferritic steels.
It does not apply if the steel is sufficiently protected against the influences of the operating medium. On the other hand, in the event that a heavily corroding operating medium is used, a higher surcharge for wear and tear must be agreed.
- The maximum permissible pressure PS (at +20 °C) according to EN 13480-3 is specified in the table of products as case 1 and case 2:
 - case 1 ($c_0 = 0$ mm) e.g. for LPG
 - case 2 ($c_0 = 1$ mm) e.g. for fuel oil, water
- The indicated transportation length results from a 5 m rod that is shortened for transportation!

Seamless precision steel pipe

pipe length: 5.0 m

outer pipe diameter x wall thickness in mm

6 x 1.2	case 1: PS 619 bar / case 2: PS 38 bar	Cont. 200 m	06 301 00	4.90
8 x 1	case 1: PS 360 bar / case 2: --	Cont. 125 m	06 302 00	5.20
8 x 1.5	case 1: PS 603 bar / case 2: PS 152 bar	Cont. 125 m	06 303 00	6.02
10 x 1	case 1: PS 285 bar / case 2: --	Cont. 85 m	06 304 00	5.60
10 x 1.5	case 1: PS 459 bar / case 2: PS 117 bar	Cont. 85 m	06 305 00	6.22
12 x 1	case 1: PS 234 bar / case 2: --	Cont. 125 m	06 306 00	6.02
12 x 1.5	case 1: PS 375 bar / case 2: PS 99 bar	Cont. 125 m	06 307 00	6.52
15 x 1.5	case 1: PS 294 bar / case 2: PS 81 bar	Cont. 80 m	06 309 00	7.96
18 x 1.5	case 1: PS 241 bar / case 2: PS 67 bar	Cont. 60 m	06 310 00	9.18
22 x 1.5	case 1: PS 194 bar / case 2: PS 60 bar	Cont. 35 m	06 312 00	12.94

No liability assumed for the specifications for maximum permitted pressure!

Pipe system



Pipe bending device

with 6 replaceable bending rollers with outer diameter 6 to 18 mm

Note

- The vice is not included in the scope of delivery!

Pipe bending device

design 6 to 18 mm

Part no.

€/ 1 pc.

06 500 00

684.00



ZISTAPLEX steel pipe

for piping in LPG systems

operating media: LPG

Advantages and equipment

- welded, sized

Technical data

- technical conditions of delivery pursuant to EN 10305
- material: steel type E195, material no. 1.0034
- surface design: galvanised coat Cr-6-free, layer thickness at least 8 µm and additional organic coating ZISTAPLEX, layer thickness up to 50 µm
- the precision steel pipe meets the requirements of pipes pursuant to EN 10305 for combination with compression fittings for use in caravans and motor caravans

Note

- The indicated transportation lengths result from 6 m rods that are shortened for transportation!

ZISTAPLEX steel pipe

pipe length: 6 m

transportation length: 3.0 m + 3.0 m

outer pipe diameter x wall thickness in mm

8 x 1 Cont. 150 m

Part no.

€/ 1 m

06 102 00

4.48



Pipe clamp metal

to fasten piping to the wall

Advantages and equipment

- with rubber profile for galvanic separation

Pipe clamp metal

8

08 034 01

1.28

10

08 035 01

1.34

Shop packaging 

Pipe clamp metal

8 Cont. 5 units

68 034 01

8.00

10 Cont. 5 units

68 035 02

8.30

Part no.

€/ 1 pc.

Accessories



Low pressure regulator type EN61-DS

Part no.

€ / 1 pc.

for connection to gas cylinders to regulate the pressure to the nominal pressure of the gas equipment

Advantages and equipment

- overpressure safety valve S2SR to protect consumer equipment against inadmissible high pressures
- visual indicator (green/red) with optical signal (red) in case of outlet pressures above 80 mbar
- thermal cut-out device „T“ to automatically block the gas flow if the temperature rises above +100 °C
- pressure gauge for leak testing e.g. when the cylinder is replaced
- version with an integrated excess flow valve (EFV) with manual opening, blocks the gas supply if the hose is damaged
- version with 90° outlet to prevent kinking in the hose assembly

Conformity

- EC type examination certificate PED
- EC type examination certificate GAR
- UKCA type examination certificate GAR

Technical data

- maximum permissible pressure: PS 16 bar

Note

- When consumer equipment with a total connected load of up to 1.5 kg/h is connected, an excess flow valve does not need to be used.

Low pressure regulator type EN61-DS with integrated excess flow device EFV straight outlet

KLF x G 1/4 lh M 50 mbar 1.5 kg/h

05 150 02

86.44

without integrated excess flow device EFV straight outlet

KLF x G 1/4 lh M 50 mbar 1.5 kg/h

05 150 00

64.88

KLF x G 1/4 lh M 29 mbar 1.5 kg/h

05 150 30

64.88

90° outlet

KLF x G 1/4 lh M 50 mbar 1.5 kg/h

05 150 06

75.06

Shop packaging

Low pressure regulator type EN61-DS with integrated excess flow device EFV straight outlet

KLF x G 1/4 lh M 50 mbar 1.5 kg/h

65 150 04

88.04

without integrated excess flow device EFV straight outlet

KLF x G 1/4 lh M 50 mbar 1.5 kg/h

65 150 00

67.48

KLF x G 1/4 lh M 29 mbar 1.5 kg/h

65 150 02

67.48

Accessories



Single-cylinder system for small cylinders

Part no.

€ / 1 pc.

for connection to gas cylinders to regulate the pressure to the nominal pressure of the gas equipment

consisting of: low pressure regulator type EN61-DS with overpressure safety valve S2SR, visual indicator, thermal cut-out device „T“, pressure gauge, medium pressure hose assembly (rubber with textile lining; cold resistant up to -30 °C; hose dimensions 6.3 x 3.5 mm) G 1/4 lh nut x G 1/4 lh nut x 400 mm and MiniTool

Advantages and equipment

- set to connect a mobile heater in the interior
- including MiniTool to connect and disconnect small cylinder regulators

Conformity

- single fittings with DIN-DVGW and/or DVGW [German Association of Gas and Water] type test certificate or EU type examination certificate PED
- single fittings with DIN-DVGW and/or DVGW [German Association of Gas and Water] type test certificate or EU type examination certificate GGV

Technical data

- maximum permissible pressure: PS 16 bar

Shop packaging 

Single-cylinder system for small cylinders

KLF x G 1/4 lh nut 50 mbar 1.5 kg/h

62 070 00

76.96

Accessories



Cooker connection set Pro

Part no.

€ / 1 pc.

for connection to gas cylinders to regulate the pressure to the nominal pressure of the gas equipment

consisting of: low pressure regulator type EN61-DS with overpressure safety valve S2SR, visual indicator, thermal cut-out device „T“, pressure gauge and stainless steel corrugated hose assembly type MWS G 1/4 lh nut x Rp 1/2 F x 1000 mm

Advantages and equipment

- set to connect a household appliance, e.g. a cooker to the gas cylinder
- according to German TRF, gas equipment can be connected directly to the pressure regulator with a stainless steel corrugated hose assembly of up to 2000 mm in length
- stainless steel corrugated hose assemblies do not need to be replaced repeatedly, as they are not subject to ageing

Conformity

- single fittings with DIN-DVGW and/or DVGW [German Association of Gas and Water] type test certificate or EU type examination certificate PED
- single fittings with DIN-DVGW and/or DVGW [German Association of Gas and Water] type test certificate or EU type examination certificate GGV

Technical data

- maximum permissible pressure: PS 16 bar

Cooker connection set Pro

KLF x Rp 1/2 F 50 mbar 1.5 kg/h

02 070 20

145.40

Spare Part

Corrugated stainless steel hose pipe type MWS PS 1 bar, G 1/4 lh nut x Rp 1/2 F x 1000 mm

29 111 00

80.50

Accessories

90° fitting G 1/4 lh nut x G 1/4 lh M

04 048 00

11.06

Elbow 90° R 1/2 M x Rp 1/2 F

29 111 10

2.76

Cooker connection set Basic

Part no.

€ / 1 pc.

for connection to gas cylinders to regulate the pressure to the nominal pressure of the gas equipment

consisting of: low pressure regulator type EN61-DS with overpressure safety valve S2SR, visual indicator, thermal cut-out device „T“, pressure gauge, medium pressure hose assembly (rubber with textile lining; cold resistant up to -30 °C; hose dimensions 6.3 x 3.5 mm) G 1/4 lh nut x compr. fit. 8 x 400 mm, connecting pipe and elbow screw-on compression fitting type WAI G 1/2 F x compr. fit. 8

Advantages and equipment

- set to connect a household appliance, e.g. a cooker to the gas cylinder
- the connecting pipe 8 x 1 x 400 mm can be reduced to the desired length according to the installation situation

Conformity

- single fittings with DIN-DVGW and/or DVGW [German Association of Gas and Water] type test certificate or EU type examination certificate PED
- single fittings with DIN-DVGW and/or DVGW [German Association of Gas and Water] type test certificate or EU type examination certificate GGV

Technical data

- maximum permissible pressure: PS 16 bar

Cooker connection set Basic

KLF x G 1/2 F 50 mbar 1.5 kg/h

02 070 10

85.40

Shop packaging

Cooker connection set Basic

KLF x G 1/2 F 50 mbar 1.5 kg/h

62 070 03

87.00



Accessories



Cooker connection set Pro for Austria

Part no.

€/ 1 pc.

for connection to gas cylinders to regulate the pressure to the nominal pressure of the gas equipment

consisting of: low pressure regulator type EN61 with thermal cut-out device „T“, pressure gauge and stainless steel corrugated hose assembly type MWS
G 1/4 lh nut x Rp 1/2 F x 1000 mm

Advantages and equipment

- set to connect a household appliance, e.g. a cooker to the gas cylinder
- according to German TRF, gas equipment can be connected directly to the pressure regulator with a stainless steel corrugated hose assembly of up to 2000 mm in length
- stainless steel corrugated hose assemblies do not need to be replaced repeatedly, as they are not subject to ageing

Conformity

- single fittings with DIN-DVGW and/or DVGW [German Association of Gas and Water] type test certificate or EU type examination certificate PED
- single fittings with DIN-DVGW and/or DVGW [German Association of Gas and Water] type test certificate or EU type examination certificate GGV

Technical data

- maximum permissible pressure: PS 16 bar

Cooker connection set Pro for Austria

KLF x Rp 1/2 F 50 mbar 1.5 kg/h

02 070 21

108.00

Spare Part

Corrugated stainless steel hose pipe type MWS PS 1 bar,
G 1/4 lh nut x Rp 1/2 F x 1000 mm

29 111 00

80.50

Accessories

90° fitting G 1/4 lh nut x G 1/4 lh M

04 048 00

11.06

Elbow 90° R 1/2 M x Rp 1/2 F

29 111 10

2.76

Cooker connection set Basic for Austria

Part no.

€/ 1 pc.

for connection to gas cylinders to regulate the pressure to the nominal pressure of the gas equipment

consisting of: low pressure regulator type EN61 with thermal cut-out device „T“, pressure gauge, medium pressure hose assembly (rubber with textile lining; cold resistant up to -30 °C; hose dimensions 6.3 x 3.5 mm) G 1/4 lh nut x pipe socket 8 x 1000 mm and elbow screw-on compression fitting type WAI G 1/2 F x compr. fit. 8

Advantages and equipment

- set to connect a household appliance, e.g. a cooker to the gas cylinder

Conformity

- single fittings with DIN-DVGW and/or DVGW [German Association of Gas and Water] type test certificate or EU type examination certificate PED
- single fittings with DIN-DVGW and/or DVGW [German Association of Gas and Water] type test certificate or EU type examination certificate GGV

Technical data

- maximum permissible pressure: PS 16 bar

Note

- Not suitable for use in Germany, since the low pressure regulator is not equipped with an overpressure safety device S2SR!

Shop packaging

Cooker connection set Basic for Austria

KLF x G 1/2 F 50 mbar 1.5 kg/h

62 070 04

49.45



Accessories



Low pressure regulator type EN61-DS

Part no.

€ / 1 pc.

for connection to gas cylinders to regulate the pressure to the nominal pressure of the gas equipment

Advantages and equipment

- overpressure safety valve S2SR to protect consumer equipment against inadmissible high pressures
- visual indicator (green/red) with optical signal (red) in case of outlet pressures above 80 mbar
- version with pressure gauge for leak testing e.g. when the cylinder is replaced
- version with 90° outlet to prevent kinking in the hose assembly

Conformity

- EC type examination certificate PED
- EC type examination certificate GAR
- UKCA type examination certificate GAR

Technical data

- maximum permissible pressure: PS 16 bar

Note

- According to system diagram F1 for Germany, low pressure regulators must be equipped with a pressure gauge.

Low pressure regulator type EN61-DS

straight outlet

with pressure gauge

KLF x G 1/4 lh M 50 mbar 1.5 kg/h

01 150 05

52.00

KLF x G 1/4 lh M 29 mbar 1.5 kg/h

01 150 35

52.00

without pressure gauge

KLF x G 1/4 lh M 50 mbar 1.5 kg/h

01 150 00

41.10

KLF x G 1/4 lh M 29 mbar 1.5 kg/h

01 150 30

41.10

90° outlet

with pressure gauge

KLF x G 1/4 lh M 50 mbar 1.5 kg/h

01 135 05

60.00

without pressure gauge

KLF x G 1/4 lh M 50 mbar 1.5 kg/h

01 135 00

49.10

Shop packaging

Low pressure regulator type EN61-DS

straight outlet

with pressure gauge

KLF x G 1/4 lh M 50 mbar 1.5 kg/h

61 150 03

54.60

KLF x G 1/4 lh M 29 mbar 1.5 kg/h

61 150 07

54.60

without pressure gauge

KLF x G 1/4 lh M 50 mbar 1.5 kg/h

61 150 00

43.70



Accessories



Low pressure regulator type EN61-DS

Part no.

€ / 1 pc.

for connection to gas cylinders to regulate the pressure to the nominal pressure of the gas equipment

Advantages and equipment

- overpressure safety valve S2SR to protect consumer equipment against inadmissible high pressures
- visual indicator (green/red) with optical signal (red) in case of outlet pressures above 80 mbar
- integrated excess flow valve EFV with manual opening, blocks the gas supply if the hose is damaged
- particularly suitable for the use of commercially used consumer equipment with hose assemblies longer than 400 mm, such as barbecues, stoves and patio heaters

Conformity

- EC type examination certificate PED
- EC type examination certificate GAR
- UKCA type examination certificate GAR

Technical data

- maximum permissible pressure: PS 16 bar

Low pressure regulator type EN61-DS with integrated excess flow valve EFV

KLF x G 1/4 lh M 50 mbar 1.5 kg/h

01 150 02

61.30

KLF x G 1/4 lh M 29 mbar 1.5 kg/h

01 150 32

61.30

Shop packaging 

Low pressure regulator type EN61-DS with integrated excess flow valve EFV

KLF x G 1/4 lh M 50 mbar 1.5 kg/h

61 150 02

62.90

Accessories



Single-cylinder system for small cylinders

Part no.

€ / 1 pc.

for connection to gas cylinders to regulate the pressure to the nominal pressure of the gas equipment

consisting of: low pressure regulator type EN61-DS with overpressure safety valve S2SR, integrated excess flow valve EFV, medium pressure hose assembly (rubber with textile lining; cold resistant up to -30 °C; hose dimensions 6.3 x 3.5 mm) G 1/4 lh nut x G 1/4 lh nut x 1500 mm and MiniTool

Advantages and equipment

- set for connecting commercially used consumer equipment such as barbecues, stoves and patio heaters
- excess flow device prevents gas escape in case of damage or if the hose assembly becomes detached, and blocks the gas flow, as soon as the nominal flow rate is exceeded by 10%
- including MiniTool to connect and disconnect small cylinder regulators

Conformity

- single fittings with DIN-DVGW and/or DVGW [German Association of Gas and Water] type test certificate or EU type examination certificate PED
- single fittings with DIN-DVGW and/or DVGW [German Association of Gas and Water] type test certificate or EU type examination certificate GGV

Technical data

- maximum permissible pressure: PS 16 bar

Shop packaging 

Single-cylinder system for small cylinders

KLF x G 1/4 lh nut 50 mbar 1.5 kg/h

62 039 10

77.92

Single-cylinder system for small cylinders

Part no.

€ / 1 pc.



for connection to gas cylinders to regulate the pressure to the nominal pressure of the gas equipment

consisting of: low pressure regulator type EN61, medium pressure hose assembly and MiniTool

Advantages and equipment

- set for connecting and retrofitting gas equipment with a non-permanently installed low pressure regulator
- including MiniTool to connect and disconnect small cylinder regulators

Conformity

- single fittings with DIN-DVGW and/or DVGW [German Association of Gas and Water] type test certificate or EU type examination certificate PED
- single fittings with DIN-DVGW and/or DVGW [German Association of Gas and Water] type test certificate or EU type examination certificate GGV

Technical data

- maximum permissible pressure: PS 16 bar

Note

- In Germany, the single-cylinder system with a working pressure of 50 mbar may be used in commercial applications only to operate portable consumer units during construction work!

Shop packaging 

Single-cylinder system for small cylinders

hose: rubber with textile lining; cold resistant up to -30 °C

hose dimensions 6.3 x 3.5 mm (length 800 mm)

KLF x G 1/4 lh nut 50 mbar 1.5 kg/h

62 039 05

25.04

KLF x 5/8 UNF nut 50 mbar 1.5 kg/h

62 039 06

27.72

Shell-F x G 1/4 lh nut 50 mbar 1.5 kg/h

62 039 08

27.72

hose: plastic with textile lining

hose dimensions 6.3 x 3.5 mm (length 400 mm)

KLF x G 1/4 lh nut 50 mbar 1.5 kg/h

62 039 00

22.38

Shell-F x G 1/4 lh nut 50 mbar 1.5 kg/h

62 039 07

25.06

Accessories



Cylinder system with manual changeover valve type MUV	Part no.	€ / 1 pc.
<p>for connection to gas cylinders to regulate the pressure to the nominal pressure of the gas equipment</p> <p>consisting of: high pressure hose assemblies with small cylinder connection, manual changeover valve type MUV, low pressure regulator type EN61-DS with overpressure safety valve S2SR, visual indicator, pressure gauge, test point and support rail</p> <p>Advantages and equipment</p> <ul style="list-style-type: none"> • the cylinder can be replaced without operational interruption • pressure gauge for leak testing e.g. when the cylinder is replaced • test point for leak testing the LPG system without disassembling the pressure regulating device • by default, the version with compression fitting 10 / 8 at the outlet is fitted with an adapter to connect 8 mm piping <p>Conformity</p> <ul style="list-style-type: none"> • single fittings with DIN-DVGW and/or DVGW [German Association of Gas and Water] type test certificate or EU type examination certificate PED • single fittings with DIN-DVGW and/or DVGW [German Association of Gas and Water] type test certificate or EU type examination certificate GGV <p>Technical data</p> <ul style="list-style-type: none"> • maximum permissible pressure: PS 16 bar <p>Note</p> <ul style="list-style-type: none"> • When consumer equipment with a total connected load of up to 1.5 kg/h is connected, an excess flow valve does not need to be used. 		
<p>Two-cylinder system 50 mbar, 1.5 kg/h with: manual changeover valve type MUV</p>	05 069 00	202.56
<p>Accessories Test hose G 1/4 lh nut x adapter for test point x 750 mm</p>	02 618 06	18.30

Accessories



Cylinder system with automatic changeover valve type AUV	Part no.	€ / 1 pc.
<p>for connection to gas cylinders to regulate the pressure to the nominal pressure of the gas equipment</p> <p>consisting of: high pressure hose assemblies with small cylinder connection, unit comprising automatic changeover valve type AUV with control knob, operating and reserve display, gas non-return valve, low pressure regulator type EN61-DS with overpressure safety valve S2SR, test point and wall bracket</p> <p>Advantages and equipment</p> <ul style="list-style-type: none"> • the cylinder can be replaced without operational interruption • gas non-return valve: prevents the escape of gas when the cylinder is replaced • test point for leak testing the LPG system without disassembling the pressure regulating device • by default, the version with compression fitting 10 / 8 at the outlet is fitted with an adapter to connect 8 mm piping <p>Conformity</p> <ul style="list-style-type: none"> • single fittings with DIN-DVGW and/or DVGW [German Association of Gas and Water] type test certificate or EU type examination certificate PED • single fittings with DIN-DVGW and/or DVGW [German Association of Gas and Water] type test certificate or EU type examination certificate GGW <p>Technical data</p> <ul style="list-style-type: none"> • maximum permissible pressure: PS 16 bar <p>Note</p> <ul style="list-style-type: none"> • When consumer equipment with a total connected load of up to 1.5 kg/h is connected, an excess flow valve does not need to be used. <p>Two-cylinder system 50 mbar, 1.5 kg/h with: automatic changeover valve type AUV</p>	05 068 00	296.78
<p>Accessories</p> <p>Retrofit kit for electronic remote display AUV TwoControl</p>	05 078 20	271.90
<p>Test hose G 1/4 lh nut x adapter for test point x 750 mm</p>	02 618 06	18.30



Retrofit kit for electronic remote display AUV TwoControl	Part no.	€ / 1 pc.
<p>convenient information and control unit for monitoring the operating and reserve cylinder in two-cylinder systems</p> <p>consisting of: information and control unit including 6 m connection cable, cover frame, transmitter for remote display including 2 m connection cable and power supply</p> <p>Advantages and equipment</p> <ul style="list-style-type: none"> • central control unit to switch on/off the remote display and the Eis-Ex regulator heating • remote indication of the operating status (normal or reserve operation) of the gas cylinders • can be easily installed in new systems or retrofitted in existing systems • usable with all automatic changeover valves • connection of all components by using a plug system, no soldering necessary • power pack for safe operation of the visual indicator, length of cable 1,5 m <p>Conformity</p> <ul style="list-style-type: none"> • CE marking according to ATEX and EMC <p>Technical data</p> <ul style="list-style-type: none"> • supply voltage: 230 V AC <p>Retrofit kit for electronic remote display AUV TwoControl complete</p>	05 078 20	271.90

Accessories



Cylinder system with manual changeover unit

Part no.

€ / 1 pc.

for connection to gas cylinders to regulate the pressure to the nominal pressure of the gas equipment

consisting of: high pressure hose assemblies with large cylinder connection, pipes, manual changeover unit, low pressure regulator with overpressure shut-off safety valve OPSO, pressure relief valve PRV, screwed parts and a support rail

Advantages and equipment

- the cylinder can be replaced without operational interruption
- two-cylinder system version with adapter pipe socket 12 mm
- in the case of cylinder systems with a manual changeover valve type MUV, withdrawal takes place on an alternating basis

Conformity

- single fittings with DIN-DVGW and/or DVGW [German Association of Gas and Water] type test certificate or EU type examination certificate GGV

Technical data

- maximum permissible pressure: PS 16 bar

Note

- In Germany, the dimensioning and design of the LPG systems (choice of excess flow valve, nominal flow rate, nominal width, etc.) must comply with TRF.

Two-cylinder system

50 mbar, 4 kg/h with:

manual changeover valve type MUV

05 076 00

392.08

Accessories

Excess flow valve GS installation position D

G 1/2 lh nut x G 1/2 lh M DN 20 Q_{NOM}: 2 kg/h / 1.6 m³/h

02 738 01

85.60

Excess flow valve GS installation position D

G 1/2 lh nut x G 1/2 lh M DN 20 Q_{NOM}: 3 kg/h / 2.5 m³/h

02 739 01

85.60

Accessories



Cylinder system with automatic changeover valve

Part no.

€ / 1 pc.

for connection to gas cylinders to regulate the pressure to the nominal pressure of the gas equipment

The various options for combining the changeover valve-pressure regulator assembly with the basic hose assembly set offers an optimal design of the cylinder system. An existing system can be expanded using an expansion hose assembly set.

changeover valve pressure regulator type AUV-ND12 consisting of:
changeover valve with control knob, operating and reserve display, gas non-return valve, low pressure regulator with overpressure shut-off safety valve OPSO, pressure relief valve PRV and assembly plate

basic hose assembly set consisting of:
2 x high pressure hose assembly with fittings

expansion hose assembly set consisting of:
2 x high pressure hose assembly with piping and fittings

Advantages and equipment

- the cylinder can be replaced without operational interruption
- gas non-return valve: prevents the escape of gas when the cylinder is replaced

Conformity

- single fittings with DIN-DVGW and/or DVGW [German Association of Gas and Water] type test certificate or EU type examination certificate PED
- single fittings with DIN-DVGW and/or DVGW [German Association of Gas and Water] type test certificate or EU type examination certificate GGV

Technical data

- maximum permissible pressure: PS 16 bar

Note

- In Germany, the dimensioning and design of the LPG systems (choice of excess flow valve, nominal flow rate, nominal width, etc.) must comply with TRF.

**Cylinder system with automatic changeover valve
changeover valve pressure regulator type AUV-ND 12**

50 mbar, 4 kg/h with:

GF x G 3/4 nut

05 087 20

317.50

50 mbar, 12 kg/h with:

GF x G 3/4 nut

05 087 30

396.50

Basic hose assembly set

GF x GF M

05 087 60

82.50

Expansion hose assembly set

GF x GF M

05 087 70

83.38

The hose assembly sets are not included in the scope of delivery of the cylinder system with automatic changeover valve.

The basic hose assembly set is required to connect the first two gas cylinders. An expansion hose assembly set is needed for two additional gas cylinders.

Accessories

Cylinder system with automatic changeover valve	Part no.	€ / 1 pc.
Accessories		
Excess flow valve GS installation position D G 3/4 M x G 3/4 nut DN 20 Q _{NOM} : 2 kg/h / 1.6 m ³ /h	02 734 10	84.78
Excess flow valve GS installation position D G 3/4 M x G 3/4 nut DN 20 Q _{NOM} : 3 kg/h / 2.5 m ³ /h	02 734 11	84.78
Excess flow valve GS installation position D G 3/4 M x G 3/4 nut DN 20 Q _{NOM} : 5 kg/h / 4.0 m ³ /h	02 734 12	84.78
Separating pipe screw connection pipe socket 15 x G 3/4 KN M	14 359 07	11.18
Separating pipe screw connection pipe socket 18 x G 3/4 KN M	14 359 08	11.08
Separating pipe screw connection pipe socket 22 x G 3/4 KN M	14 359 09	11.08
Fitting for separating screw connection G 3/4 KN M x compr. fit. 15	14 359 51	15.96
Fitting for separating screw connection G 3/4 KN M x compr. fit. 18	14 359 52	17.06
Fitting for separating screw connection G 3/4 KN M x compr. fit. 22	14 359 53	20.26
Press connector 15 mm x G 3/4 KN M	14 360 20	12.60
Press connector 18 mm x G 3/4 KN M	14 360 21	12.60
Press connector 22 mm x G 3/4 KN M	14 360 22	12.60



Cylinder system with automatic changeover valve type AUV	Part no.	€ / 1 pc.
for connection to gas cylinders to regulate the pressure to the nominal pressure of the gas equipment		
consisting of: high pressure hose assemblies with a large cylinder connection, pipes, an automatic changeover valve type AUV with selector lever or control knob, operating and reserve display, gas non-return valve, low pressure regulator with overpressure shut-off safety valve OPSO, pressure relief valve PRV, screwed parts and support rail		
Advantages and equipment		
<ul style="list-style-type: none"> • the cylinder can be replaced without operational interruption • gas non-return valve: prevents the escape of gas when the cylinder is replaced • two-cylinder system version with adapter pipe socket 12 mm 		
Conformity		
<ul style="list-style-type: none"> • single fittings with DIN-DVGW and/or DVGW [German Association of Gas and Water] type test certificate or EU type examination certificate GGV 		
Technical data		
<ul style="list-style-type: none"> • maximum permissible pressure: PS 16 bar 		
Note		
<ul style="list-style-type: none"> • In Germany, the dimensioning and design of the LPG systems (choice of excess flow valve, nominal flow rate, nominal width, etc.) must comply with TRF. 		
Two-cylinder system		
50 mbar, 4 kg/h with:		
automatic changeover valve type AUV	05 078 00	437.76
Accessories		
Retrofit kit for electronic remote display AUV TwoControl	05 078 20	271.90
Excess flow valve GS installation position D G 1/2 lh nut x G 1/2 lh M DN 20 Q _{NOM} : 2 kg/h / 1.6 m ³ /h	02 738 01	85.60
Excess flow valve GS installation position D G 1/2 lh nut x G 1/2 lh M DN 20 Q _{NOM} : 3 kg/h / 2.5 m ³ /h	02 739 01	85.60

Accessories

Cylinder cabinet

Part no.

€/ 1 pc.

to protect the gas cylinders from unauthorised access in private and commercial applications

Advantages and equipment

- square lock including square key
- suitable for all 11 and 33 kg gas cylinders

Technical data

- material: steel sheet, hot-dip galvanised

Cylinder cabinet

for 11 kg cylinders

1-cylinder cabinet (H/W/D: 735 x 460 x 400 mm)	18 513 00	199.00
1-cylinder cabinet with backplate (H/W/D: 735 x 460 x 400 mm)	18 513 03	230.00
2-cylinder cabinet (H/W/D: 735 x 835 x 400 mm)	18 514 00	226.00
2-cylinder cabinet with backplate (H/W/D: 735 x 835 x 400 mm)	18 514 03	269.00

for 33 kg cylinders

1-cylinder cabinet (H/W/D: 1485 x 460 x 400 mm)	18 503 00	237.00
1-cylinder cabinet with backplate (H/W/D: 1485 x 460 x 400 mm)	18 503 03	283.00
2-cylinder cabinet (H/W/D: 1485 x 835 x 400 mm)	18 504 00	297.00
2-cylinder cabinet with backplate (H/W/D: 1485 x 835 x 400 mm)	18 504 03	367.00
4-cylinder cabinet (H/W/D: 1485 x 1670 x 400 mm)	18 505 00	551.00
4-cylinder cabinet with backplate (H/W/D: 1485 x 1670 x 400 mm)	18 505 03	690.00
6-cylinder cabinet (H/W/D: 1485 x 2505 x 400 mm)	18 511 00	828.00

Spare Part

Door with frame for 2-cylinder cabinet 33 kg	18 507 00	140.00
Spare key for square lock	18 504 10	4.80
Cylinder lock with 2 keys	18 504 15	23.50

Accessories

Backplate for 1-cylinder cabinet 11 kg	18 517 00	32.00
Backplate for 2-cylinder cabinet 11 kg	18 518 00	43.00
Floor grating for 2-cylinder cabinet	18 504 11	62.30
Backplate for 1-cylinder cabinet 33 kg	18 508 00	46.50
Backplate for 2-cylinder cabinet 33 kg	18 509 00	69.50



Accessories



Gasket box

Part no.

€ / 1 pc.

the most used gaskets for cylinder regulators, leak testers and torch heads are contained in the gasket box. A special insert stops the contents from falling out and provides the necessary overview. The individual gaskets can be assigned easily using a layout in the interior of the cover.

consisting of:

- 1 x plastic case (H/W/D: 235 x 185 x 48 mm)
- 20 x KLF, 16.5 x 10.0 x 3.5 mm, material: NBR
- 20 x GF, 18.0 x 11.7 x 2.0 mm, material: aluminium
- 20 x GF, 18.0 x 11.7 x 2.0 mm, material: plastic
- 20 x Komb.A / Komb.Shell-H, 18.0 x 6.7 x 2.0 mm, material: plastic
- 20 x EU-Shell / Shell-F, 18.0 x 11.0 x 2.0 mm, material: NBR
- 20 x GAZ, 26.0 x 14.0 x 1.5 mm, material: NBR
- 20 x Ital.A, 17.0 x 10.0 x 2.0 mm, material: NBR
- 20 x Komb.Shell-WF, -WS / Komb.W, 18.0 x 5.5 x 3.0 mm, material: NBR
- 20 x M20 x 1.5 nut, 17.0 x 12.0 x 2.0 mm, material: FKM
- 15 x POL-WF / POL-WS, 17.7 x 8.5 x 10.0 mm, material: NBR
- 20 x gasket for torch head, 19.0 x 9.7 x 2.0 mm, material: PTFE
- 20 x gasket for leak testers, 8.5 x 4.5 x 10.0 mm, material: NBR

Gasket box

complete

20 037 00

77.20

Gasket for cylinder connection

Part no.

€ / 1 pc.

for sealing between gas cylinder valve and pressure regulator pursuant to EN 16129, annex G



Gasket for cylinder connection

material: FKM

cont. 1 unit

M20 x 1.5 nut

04 590 25

0.80



material: plastic

cont. 1 unit

Komb.A / Komb.Shell-H

20 009 75

0.80



material: NBR

cont. 1 unit

EU-Shell / Shell-F

20 009 81

0.80

GAZ

20 015 29

0.80

Ital.A

20 011 05

0.80

Komb.Shell-WF or -WS / Komb.W

20 009 98

0.80

POL-WF / POL-WS

02 513 37

0.80

Shop packaging

Gasket for cylinder connection

material: NBR

cont. 5 units

KLF

80 016 00

5.60

EU-Shell / Shell-F

80 009 00

5.60

Accessories



Bourdon tube pressure gauge with plastic housing

Part no.

€ / 1 pc.

for installation in piping and pressure regulators

Advantages and equipment

- version without explosion protection flap, pressure measuring device according to EN 837-1, accuracy class 2.5
- version 01 100 83 suitable for use on boats
- version 01 100 83 / 01 100 35 with pointer

Bourdon tube pressure gauge with plastic housing radial version

without explosion protection flap

G 1/8 B M OD 40 mm indicating range 0 to 10.0 bar

01 100 83

10.90

G 1/8 B M OD 40 mm indicating range 0 to 16.0 bar

01 100 35

13.40

Spare Part

Pressure gauge glass OD 40 mm with pointer

01 100 65

1.10

Accessories

Gasket for pressure gauge G 1/8, material: NBR

20 013 97

0.80

Insect protection device

Part no.

€ / 1 pc.



for ventilation line, for installation on vent socket pipe socket 8 mm or for screwing into female thread G 1/8

Insect protection device

for pipe socket 8 mm

01 004 40

2.60

G 1/8 F

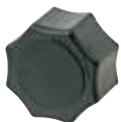
01 641 40

2.50

Sealing nut

Part no.

€ / 1 pc.



for protecting the connecting thread of gas cylinder valves

Technical data

- material: plastic
- female thread: W21.8 x 1/14 lh

Sealing nut

with fastening clip

for KLF (5 and 11 kg)

55 300 95

0.80

without fastening clip

for KLF (5 and 11 kg)

55 300 90

0.40

for GF (33 kg)

55 301 90

0.64

Plastic cap

Part no.

€ / 1 pc.



to protect the small cylinder valve on gas cylinders

Advantages and equipment

- with hold-down bracket
- suitable for all 5 and 11 kg gas cylinders

Plastic cap

complete

21 211 90

5.60

Accessories

Transport safety device for gas cylinders

Part no.

€/ 1 pc.

for the stable securing of gas cylinders in the vehicle with a filling weight of up to 11 kg

The transport safety device ensures the safe transport of the gas cylinder while driving. The gas cylinder is firmly lashed to the stable frame, and also has to be secured with the use of the fixing points in the vehicle (e.g. lashing eyelets).

This protects the gas cylinder against uncontrolled movements, and prevents soiling or damage in the boot of the vehicle.

Rubber studs on the underside also provide the transport safety device with a secure hold on slippery surfaces in the boot.

Advantages and equipment

- for gas cylinders with a diameter of 230 to 320 mm
- TROLLEY version with handle extendable in two stages to 740 or 980 mm
- thanks to the wheels and the extendable handle, the TROLLEY version makes it possible to transport the gas bottle effortlessly and comfortably without exerting too much force

Technical data

- maximum load capacity: 30 kg
- weight TROLLEY: 2.6 kg
- weight BASE: 1.1 kg
- dimensions TROLLEY H/W/D: 553 x 320 x 280 mm
- dimensions BASE H/W/D: 508 x 220 x 52 mm

Note

- The transport safety device must be secured against slipping while driving using the lashing straps provided via the attachment points in the vehicle (e.g. lashing eyelets). It should be positioned in the boot or the loading area, preferably crosswise or with the base of the cylinder facing the direction of travel (against the wall).
- The transport safety device was developed especially for the requirements of private use.
- The withdrawal from a gas cylinder must take place in the standing position!
- Ensure sufficient ventilation during transport.
- The rules of the DVFG leaflet „Transport of liquid gas cylinders with motor vehicles“ apply.
- When transporting LPG cylinders with motor vehicles, LPG cylinders may not be placed in the vehicle until immediately before the start of the journey, and when the journey is over, they must be removed immediately.
- The gas cylinder is not included in the scope of delivery!

Transport safety device for gas cylinders

TROLLEY

complete

27 601 00

57.72

BASE

complete

27 600 00

35.48



Accessories



Senso4s PLUS level gauge

Part no.

€ / 1 pc.

with app for smartphones and tablets

Digital level gauge for gas cylinders - **e.g. for the use in leisure vehicles or for the gas barbecue**, with Bluetooth remote transmission of the measurement and signalling data to a smartphone or tablet.

The level gauge Senso4s PLUS (A) measures the weight of the gas cylinder and transmits this value by Bluetooth to the app (B) which automatically determines the content and provides a consumption forecast.

Advantages and equipment

- simple installation; switch Bluetooth on, place gas cylinder on the adjustable feet of the Senso4s level gauge, measure and read the values in the app
- suitable for common steel, aluminium and plastic gas cylinders with a filling weight up to 16 kg
- Bluetooth connection between Senso4s and the smartphone / tablet
- app menu language in German, English, French, Italian, Spanish and Slovenian
- recording the parameters for the filling and tare weight of the respective gas cylinder
- use of several gas cylinders of different sizes
- after only a short operating time, the app will determine a long-term forecast of the gas consumption
- if there is a Bluetooth connection, the Senso4s PLUS sends the measurement data to the app at an interval of 15 minutes
- battery status display of the level gauge in the app
- thanks to the ATEX certification, Senso4s PLUS can also be used in the gas bottle locker of the leisure vehicle, for example
- Senso4s PLUS is designed specifically for the operation in leisure vehicles - among other things thanks to the movement sensor which interrupts the measurement while driving and thus prevents faulty measurement results

Conformity

- CE marking according to ATEX, EMC and RED

Technical data

- measuring accuracy: ± 1 %
- protection type: IP44
- supply voltage: 3 type AAA CR03 1,5 V alkaline batteries (not included in the scope of delivery)

Note

- To ensure an error-free measurement, the Senso4s level gauge must be placed on a flat and firm surface.
- The „Senso4s“ app can be downloaded for free in the Apple App Store or in the Google Play Store for your respective operating system.

Shop packaging

Senso4s PLUS level gauge

for gas cylinders

91 902 00

95.26

Accessories



(B)

Senso4s BASIC level gauge

Part no.

€ / 1 pc.

with app for smartphones and tablets

Digital level gauge for gas cylinders - e.g. for use on a gas-fired barbecue, with remote Bluetooth transmission of the measurement and message data to a smartphone or tablet.

The Senso4s BASIC level gauge (A) measures the weight of the gas cylinder and transmits this value to the app (B) via Bluetooth. The app automatically calculates the contents and creates a consumption forecast.

Advantages and equipment

- simple installation; switch Bluetooth on, place gas cylinder on the adjustable feet of the Senso4s level gauge, measure and read the values in the app
- suitable for common steel, aluminium and plastic gas cylinders with a filling weight up to 16 kg
- Bluetooth connection between Senso4s and the smartphone / tablet
- app menu language in German, English, French, Italian, Spanish and Slovenian
- recording the parameters for the filling and tare weight of the respective gas cylinder
- use of several gas cylinders of different sizes
- after only a short operating time, the app will determine a long-term forecast of the gas consumption
- if there is a Bluetooth connection, the Senso4s BASIC sends the measurement data to the app at an interval of 15 minutes
- battery status display of the level gauge in the app
- due to its ATEX certification, Senso4s BASIC may also be used in the gas cylinder cases of a mobile home

Conformity

- CE marking according to ATEX, EMC and RED

Technical data

- measuring accuracy: ± 1 %
- protection type: IP44
- supply voltage: 3 type AAA CR03 1,5 V alkaline batteries (not included in the scope of delivery)

Note

- To ensure an error-free measurement, the Senso4s level gauge must be placed on a flat and firm surface.
- The „Senso4s“ app can be downloaded for free in the Apple App Store or in the Google Play Store for your respective operating system.

Shop packaging

Senso4s BASIC level gauge

for gas cylinders

91 901 00

50.41

Accessories



Infrared heater

for room heating

consisting of: infrared heater, low pressure regulator type EN61-DS with overpressure safety valve S2SR, visual indicator, thermal cut-out device „T“, pressure gauge and medium pressure hose assembly (plastic with textile lining; hose dimensions 6.3 x 3.5 mm) G 1/4 lh nut x G 1/4 lh nut x 400 mm

Advantages and equipment

- oxygen deficiency safety mechanism
- for rooms up to approx. 185 m³
- location-independent thanks to 4 rolls
- the connected 5 or 11 kg gas cylinder is kept in the appliance

Conformity

- EC type examination certificate GAR

Technical data

- working pressure: 50 mbar
- ignition: piezo
- heating capacity: 1400 up to 4200 W
- consumption: 110 up to 310 g/h
- dimensions H/W/D: 725 x 410 x 450 mm
- colour: black

Infrared heater

complete

Part no.

€ / 1 pc.

18 611 00

282.00

Spare Part

Low pressure regulator type EN61-DS with overpressure safety valve S2SR, visual indicator, thermal cut-out device „T“ and pressure gauge

05 150 00

64.88

Medium pressure hose assembly plastic PS 10 bar, hose dimensions 6.3 x 3.5 mm, G 1/4 lh nut x G 1/4 lh nut x 400 mm

04 454 34

4.18



Infrared LPG radiator

for heating with LPG, for connection to gas cylinders to regulate the pressure to the nominal pressure of the gas equipment

consisting of: infrared LPG radiator with control valve, low pressure regulator and medium pressure hose assembly (plastic with textile lining; hose dimensions 6.3 x 3.5 mm) G 1/4 lh nut x G 1/4 lh nut x 400 mm

Technical data

- heating capacity: approx. 4600 W
- consumption: approx. 0.3 kg/h

Infrared LPG radiator

for leisure use

with low pressure regulator type EN61

KLF x G 1/4 lh M 50 mbar 1.5 kg/h

18 606 00

76.00

for commercial use

with low pressure regulator type EN61-DS

with overpressure safety valve S2SR and visual indicator

KLF x G 1/4 lh M 50 mbar 1.5 kg/h

18 608 00

102.00

Spare Part

Low pressure regulator type EN61 (50 mbar)

01 115 00

11.10

Low pressure regulator type EN61-DS (50 mbar)

01 150 00

41.10

Medium pressure hose assembly plastic PS 10 bar, hose dimensions 6.3 x 3.5 mm, G 1/4 lh nut x G 1/4 lh nut x 400 mm

04 454 34

4.18



Accessories



Thermocouple Universal

Part no.

€ / 1 pc.

for safety pilot valves

Advantages and equipment

- includes 5 different connection adapters

Technical data

- voltage yield: approx. 5.5 mV / +100 °C (maximum approx. 30 mV)
- switching times: open: after max. 3 seconds
close: after 10 to 30 seconds

Thermocouple Universal

600 mm

21 990 60

10.70

900 mm

21 990 90

10.90



Magnetic insert

Part no.

€ / 1 pc.

for safety pilot valves

Technical data

- maximum working pressure: 150 mbar
- for gaseous LPG according to German DVGW worksheet G 260

Magnetic insert

small, for low pressure Ø 8.5 mm

21 993 01

9.40

large, for low pressure Ø 11.5 mm

21 993 00

9.70



Burner set

Part no.

€ / 1 pc.

for surface drying, welding, burning, warming, thawing and annealing

Advantages and equipment

- medium pressure regulator type M50-F/SBS Komb.A x G 3/8 lh M, 4.0 bar, 12 kg/h with 35° outlet and integrated excess flow valve EFV with manual opening, blocks the gas supply if the hose is damaged
- medium pressure hose assembly (rubber with textile lining; cold resistant up to -30 °C; hose dimensions 6.3 x 3.5 mm) G 3/8 lh nut x G 3/8 lh nut x 5000 mm
- plastic torch handle with control and lever valve as well as internal adjustment of the pilot flame, G 3/8 lh M x M14 x 1 M ball-cone connector
- connecting pipe 560 mm with spring support
- stainless steel torch head Ø 50 mm, consumption approx. 4.7 kg/h

Conformity

- single fittings with DIN-DVGW and/or DVGW [German Association of Gas and Water] type test certificate or EU type examination certificate GGV

**Burner set
in individual packaging**

1 unit loose, e.g. to refill the presentation box

09 805 10

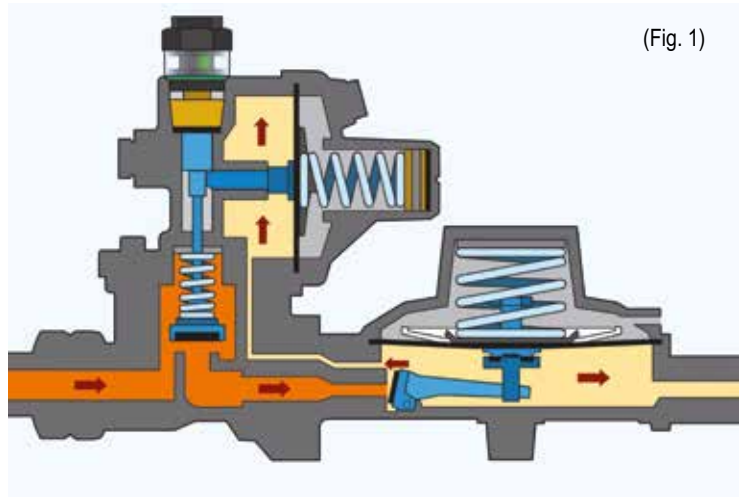
145.50

Overpressure shut-off safety valve OPSO

The overpressure shut-off safety valve OPSO is an automatic safety device that protects connected consumer equipment against excessive high pressure.

The outlet pressure is monitored constantly (Fig. 1). As soon as the outlet pressure is exceeded, the overpressure shut-off safety valve OPSO triggers and switches off the gas supply. This can be seen by the red field in the visual indicator (Fig. 2).

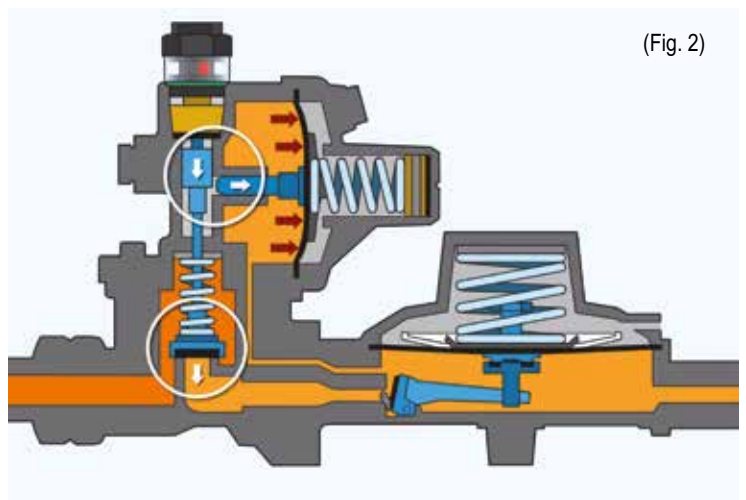
Having responded, the overpressure shut-off safety valve OPSO must be opened again manually.



(Fig. 1)



For more information, visit the GOK blog at www.gok-blog.de: „What is an OPSO (SAV) and how does it work?“



(Fig. 2)

Response pressure of the overpressure shut-off safety valve OPSO:

Nominal outlet pressure	Nominal response pressure
50 mbar	120 mbar
0.7 bar (A3)	2.0 bar
0.7 bar (A4)	1.0 bar
1.5 bar	2.2 bar
2.0 bar	2.7 bar
adjustable up to 2.0 bar	2.7 bar
adjustable up to 4.0 bar	5.0 bar

Pressure relief valve PRV

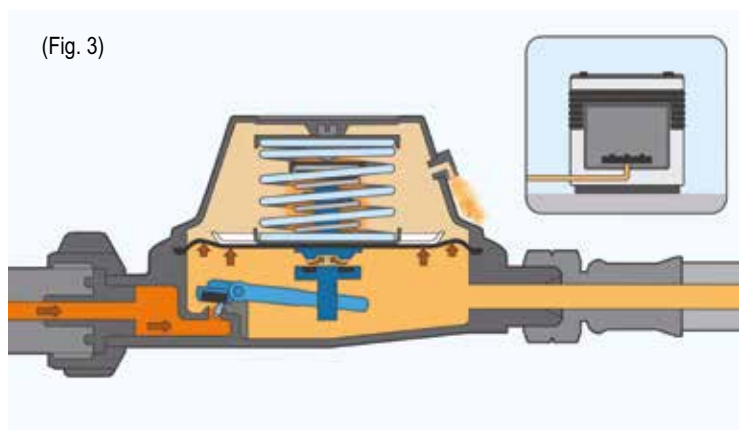
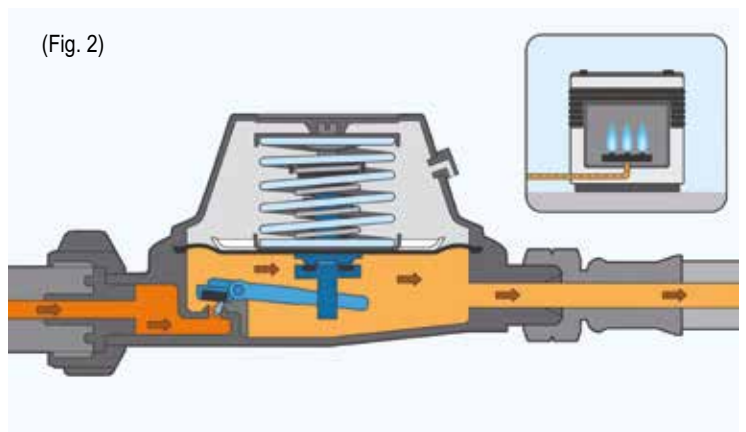
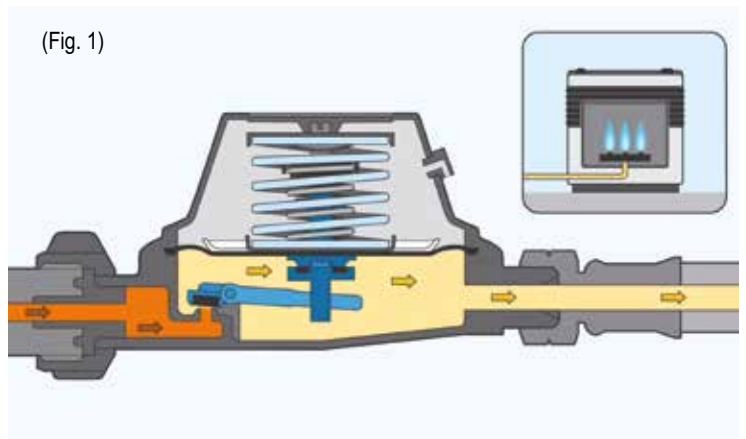
The pressure relief valve PRV is a safety device integrated in the pressure regulator. It acts automatically and protects the connected consumer equipment against excessive high pressure (**Fig. 1**).

If excessive high pressure occurs at the outlet side, e.g. because of dirt, (**Fig. 2**), the diaphragm is pressed upward. The pressure relief valve opens and blows the excess pressure off to the ambient air (**Fig. 3**).

When the pressure falls, the pressure relief valve PRV closes again automatically.



For more information, visit the GOK blog at www.gok-blog.de: „How does a PRV pressure relief valve work?“



Overpressure safety device S2SR

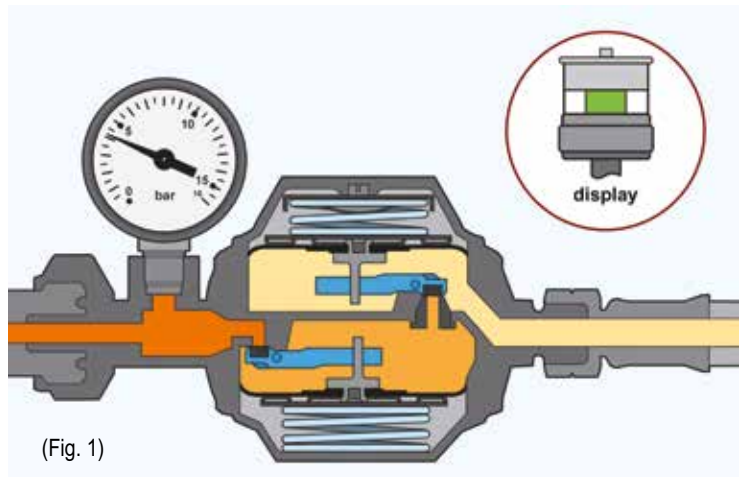
Regulators with an overpressure safety device S2SR are two-stage pressure regulators (Fig. 1).

If one of the two regulator stages fails, e.g. because of dirt or other foreign bodies in the valve, the other regulator stage reduces the pressure to maximum 150 mbar. This can be seen by the red field in the visual indicator (Figs. 2 and 3).

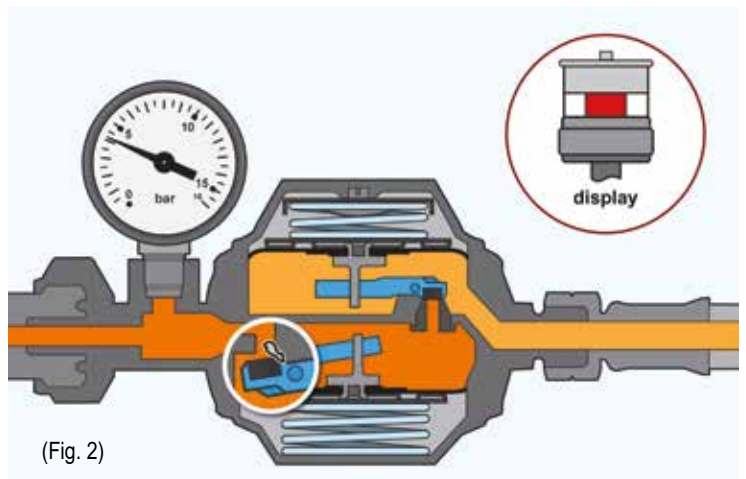
With the visual indicator users can see when the outlet pressure is above 80 mbar and when the low pressure regulator has to be replaced.



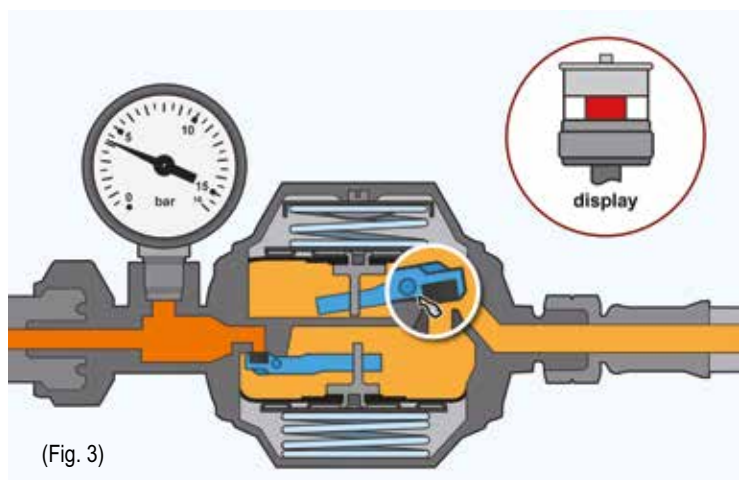
For more information, visit the GOK blog at www.gok-blog.de: „How does an overpressure safety device S2SR work?“



(Fig. 1)



(Fig. 2)



(Fig. 3)

Excess flow valve SBS

The excess flow valve SBS prevents gas from escaping on an uncontrolled basis in the event of hose damage.

Press the control knob to put the excess flow valve SBS into service.

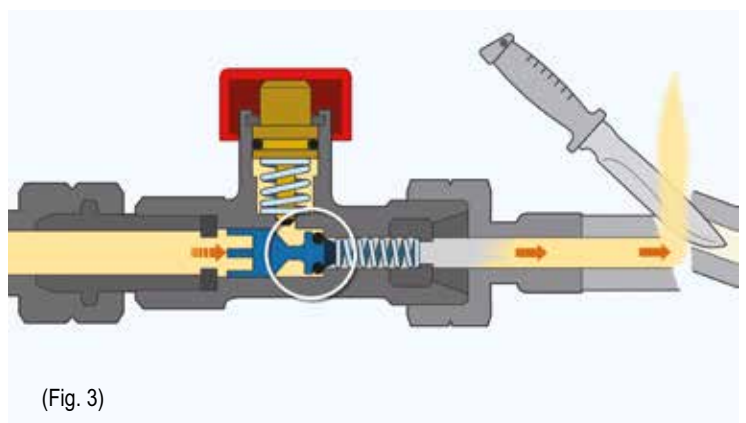
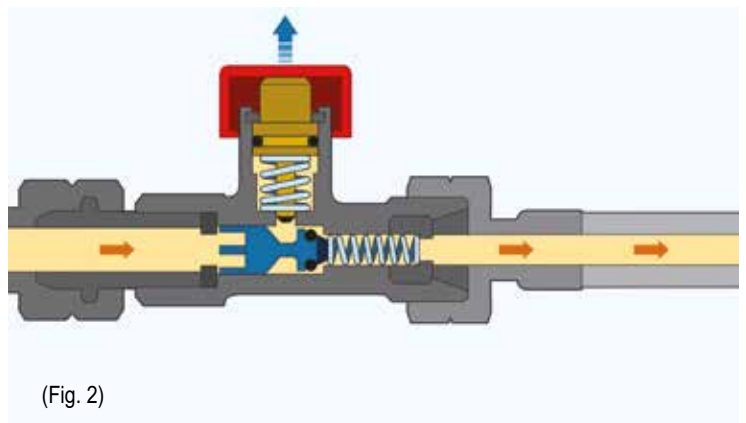
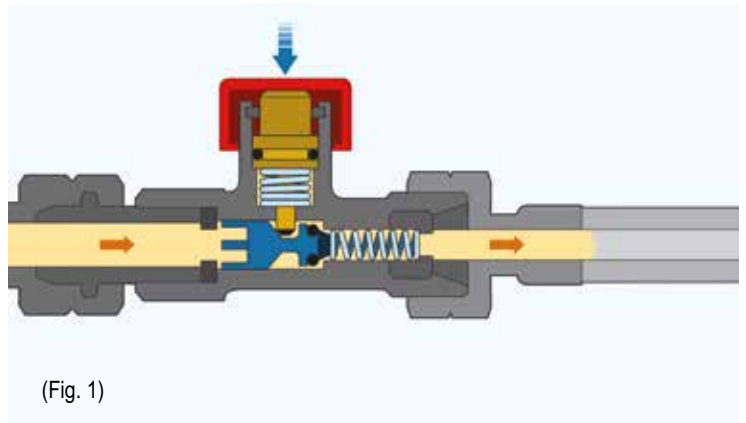
This opens the closing taper and the connected hose assembly fills with gas (Fig. 1).

When the pressure has equalised, the closing taper remains open and gas can be consumed (Fig. 2).

If the hose assembly is damaged, the pressure drops suddenly and the closing taper is pressed on to the valve seat. The gas supply is interrupted. Unused gas cannot escape (Fig. 3).

The automatically opening version of the excess flow valve SBS is started up via a pulse bore. The closing taper is opened automatically after the pressure compensation.

An excess flow valve that is integrated in the pressure regulator is an EFV. The EFV works in the same way as excess flow valves connected to the pressure regulator.



For more information, visit the GOK blog at www.gok-blog.de: „How does an excess flow device work?“

Crash-Sensor with pendulum



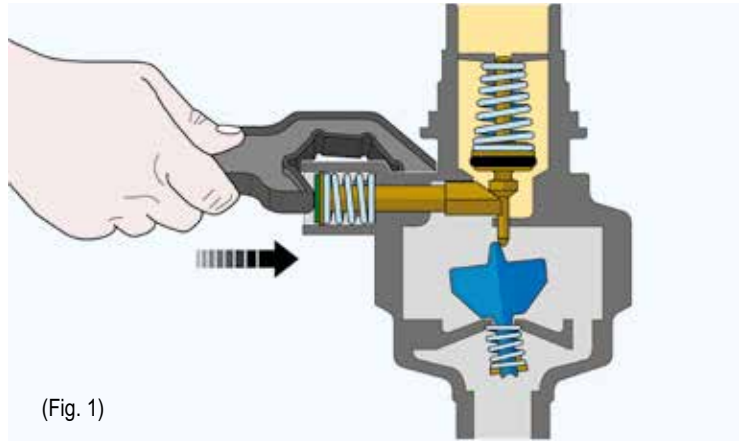
The crash sensor is an automatic safety device and is part of the regulator system. If heaters are operated in leisure vehicles while driving as well, the crash sensor provides protection from uncontrolled escape of LPG, e.g. in the event of a traffic accident.

To start up, press the reset button, which opens the spring-loaded sealing unit (Fig. 1).

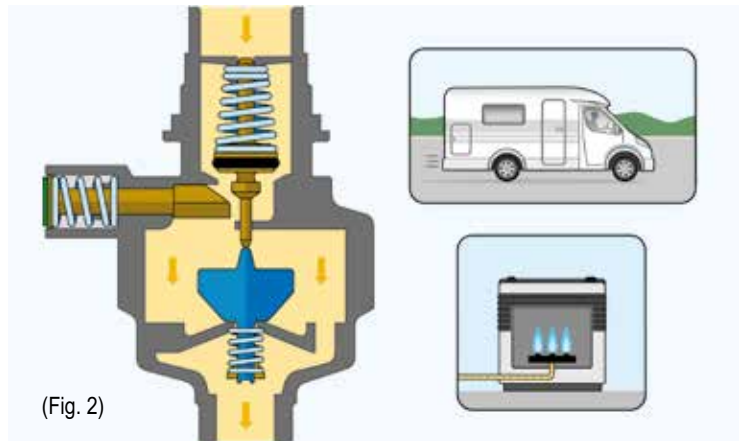
The pendulum swings into its resting position and prevents the sealing unit from closing. This ensures that gas can flow. The reset button is relieved. Heating can now be used safely while driving (Fig. 2).

For example, if the leisure vehicle is involved in a traffic accident, the crash sensor directly blocks the gas flow.

From a crash speed of about 15 to 20 km/h, the sphere changes its position and releases the spring-loaded sealing unit. The gas flow is closed (Fig. 3) and remains in this state until it is opened again manually via the reset button.



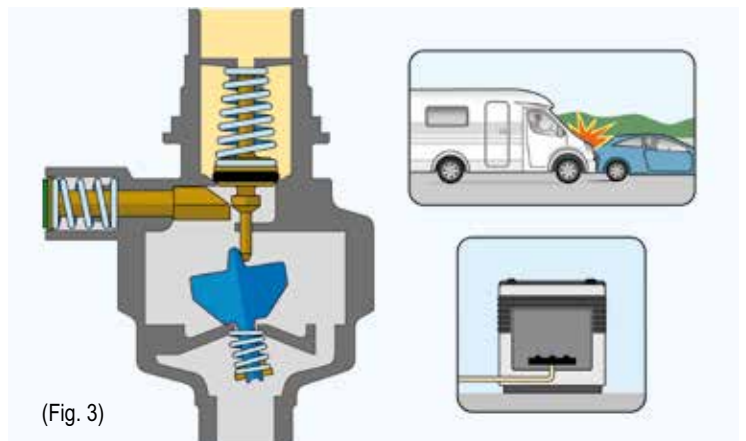
(Fig. 1)



(Fig. 2)



For more information, visit the GOK blog at www.gok-blog.de: „What components do I need to operate gas equipment in the caravan and motor caravan while driving?“



(Fig. 3)

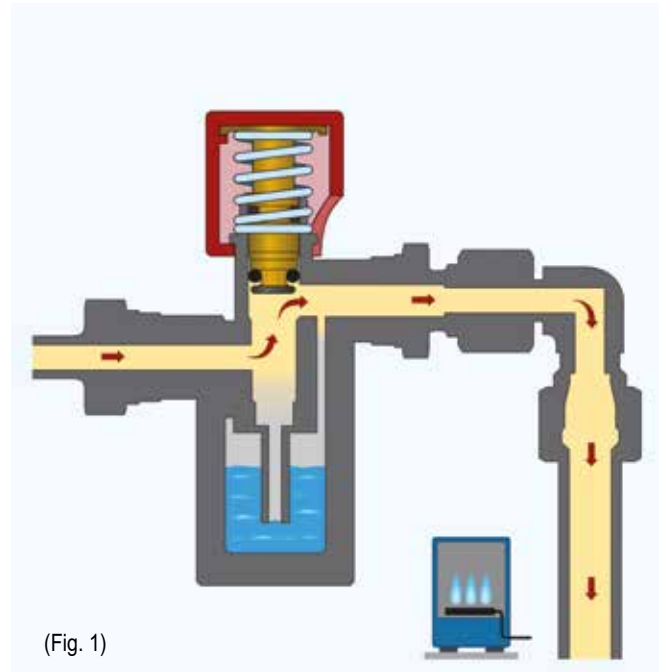
Leak tester type 4071

The leak tester enables quick and sound leak testing of the LPG system at any time.

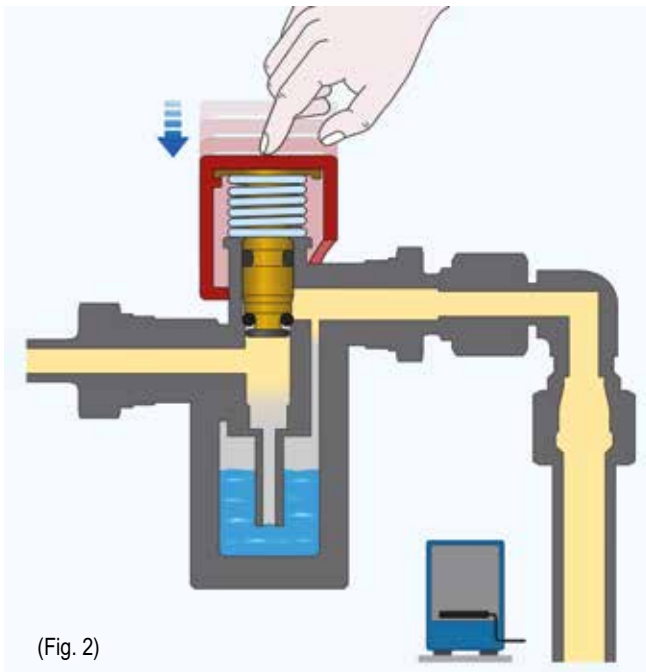
In normal operations, the gas flows through the leak tester without hindrance (Fig. 1).

Continuous pressure on the test button blocks the normal gas flow. If the line is tight, no bubbles form in the inspection glass (Fig. 2).

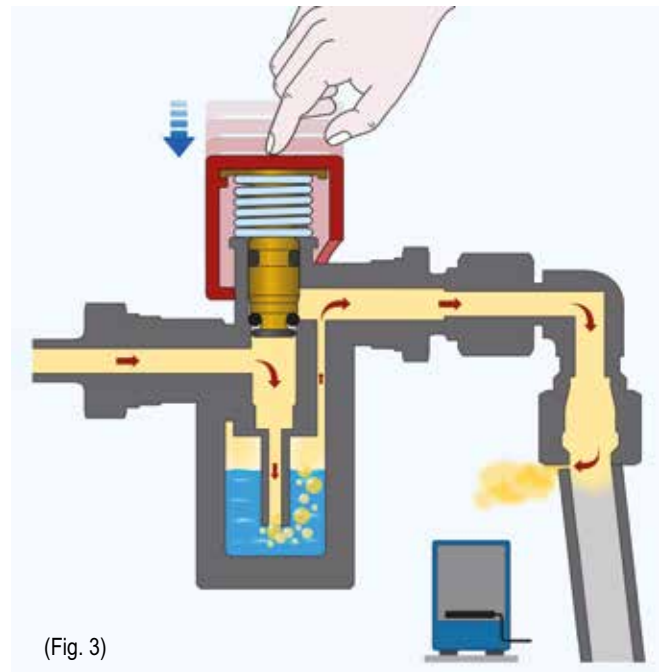
On the other hand, if there is a leak in the line, the gas flows through the vessel with a glycol mixture. Bubbles form in the inspection glass (Fig. 3).



(Fig. 1)



(Fig. 2)



(Fig. 3)

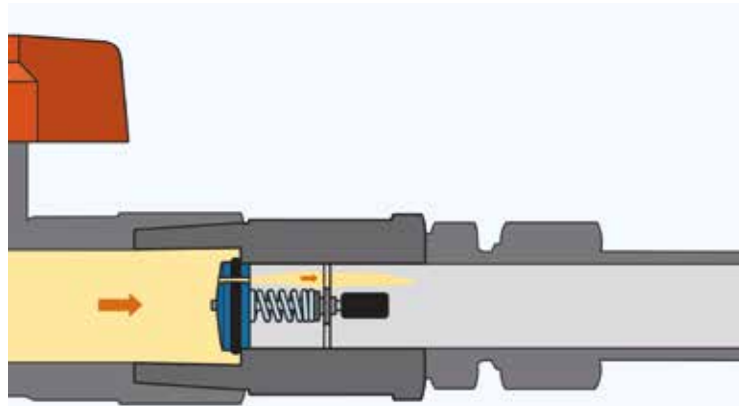
Excess flow valve GS

The excess flow valve GS blocks the flow of gas if the volumetric flow rate exceeds a specified value.

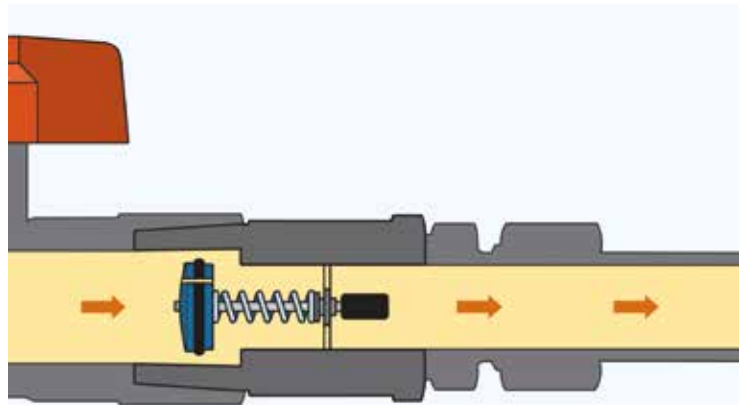
Only a small volume of gas can escape through a small overflow opening (Fig. 1). Only when the gas pressure on the outlet side has approached that of the inlet side does the spring mechanism open the excess flow valve GS.

The excess flow valve GS remains open during the operation of the system with gas quantities that do not exceed the set nominal flow rate (Fig. 2).

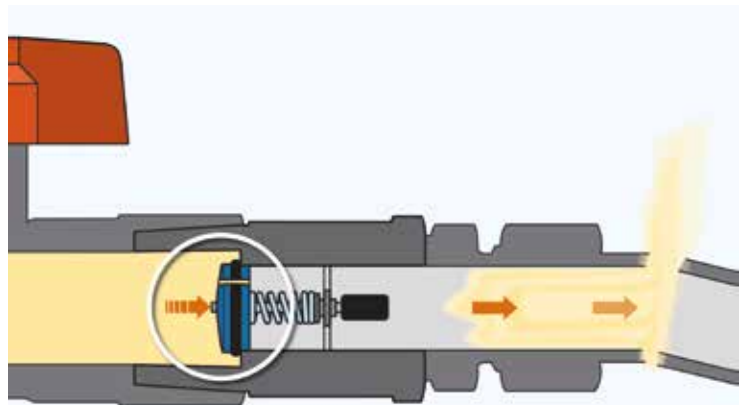
If the nominal flow rate is exceeded by the closing factor, the mechanism blocks the gas supply (Fig. 3). This happens, for example, when opening a screw connection or removing a plug causes the pressure to drop.



(Fig. 1)



(Fig. 2)



(Fig. 3)



YouTube-Channel

Here you can find function videos for products and safety devices: www.youtube.com/c/GOK-ReglerundArmaturen

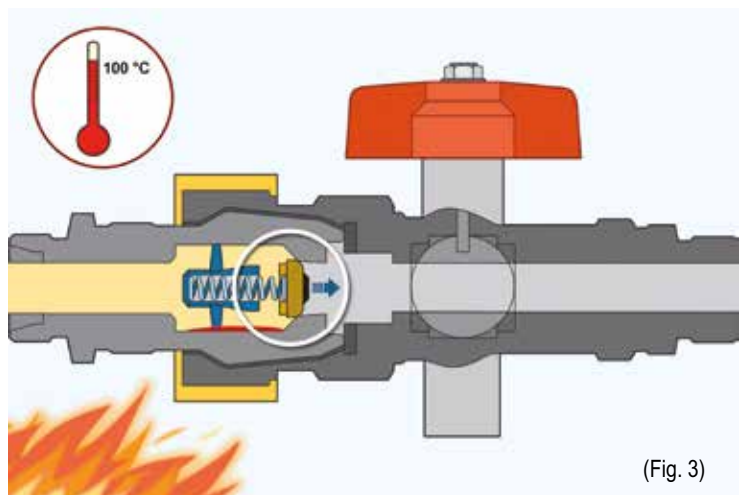
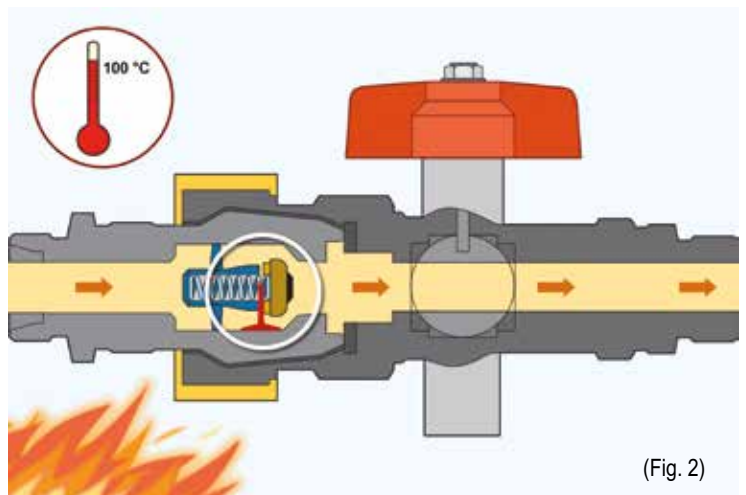
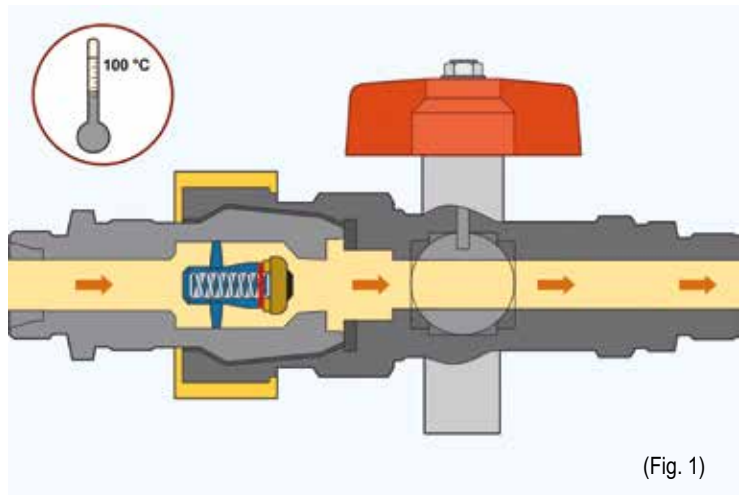
Thermal cut-out device “T”

With fittings and consumer equipment, thermal cut-out devices “T” are used to prevent a gas leakage resulting from high temperatures, e.g. in the event of a fire (Fig. 1).

At a temperature of 100 °C, soldering material begins to melt (Fig. 2).

This releases the pre-tensioned closing taper, which is pressed on the valve seat by means of a spring. The gas supply is interrupted (Fig. 3).

Having responded, the valve with thermal cut-out device “T” must be replaced.



For more information, visit the GOK blog at www.gok-blog.de: „What do I need a thermal cut-out device “T” (TAE) for?“

Inlet connectors

	Commercial name	Italian connection (Ital.A)	A	W20 x 1/14 lh
	Designation to standard*	G.1	B	25.0 mm
	Country	AT, GR, IT, SI	C	16.0 mm
	Material gasket	NBR	D	10.5 mm

	Commercial name	FR Shell (Shell-F)	A	21.8 x 1/14 LH – 60°
	Designation to standard*	G.2	B	Wing nut
	Country	BE, CH, FR, RU	C	12.5 mm
	Material gasket	NBR	D	12.2 mm

	Commercial name	GAZ	A	M16 x 1.5 rh
	Designation to standard*	G.3	B	–
	Country	International	C	13.6 mm
	Material gasket	NBR	D	6.5 mm

	Commercial name	Large cylinder (GF) connection no. 1 (DIN 477)	A	W21.8 x 1/14 lh
	Designation to standard*	G.4	B	30.0 mm
	Country	AT, CZ, DE, DK, FI, PL, RU, SI	C	21.0 mm
	Material gasket	Aluminium	D	11.5 mm

A = Thread designation / B = Spanner size hexagonal / C = Length of coupling nut / D = Diameter of inner pin

*Designation according to EN 16129 annex G and EN 15202 / **Designation GOK factory standard

Inlet connectors

	Commercial name	Combined fitting (Komb.A)	A	W21.8 x 1/14 lh
	Designation to standard*	G.5 (G.4, G.12)	B	30.0 mm
	Country	AT, BE, CZ, DE, NL, PL, RU, SI	C	21.0 mm
	Material gasket	PA	D	7.0 mm

	Commercial name	British POL (Brit.POL)	A	G 5/8 lh
	Designation to standard*	G.7	B	30.0 mm
	Country	GB	C	27.0 mm
	Material gasket	-	D	18.9 mm

	Commercial name	Shell Butane Nut (EU-Shell)	A	W21.8 x 1/14 lh
	Designation to standard*	G.8	B	30.0 mm
	Country	GB, IE, RU	C	18.0 mm
	Material gasket	NBR	D	12.2 mm

	Commercial name	US POL (POL)	A	0.880-14 NGO lh
	Designation to standard*	G.9	B	24.0 mm
	Country	CZ, DE, DK, NO, PL, PT, RU, SE	C	28.0 mm
	Material gasket	-	D	18.9 mm

A = Thread designation / B = Spanner size hexagonal / C = Length of coupling nut / D = Diameter of inner pin

*Designation according to EN 16129 annex G and EN 15202 / **Designation GOK factory standard

Inlet connectors

	Commercial name	Soft POL (POL-WS)	A	0.880-14 NGO lh
	Designation to standard*	G.10	B	24.0 mm
	Country	BE, NO, PT, SE	C	28.0 mm
	Material gasket	NBR	D	18.9 mm

	Commercial name	Soft POL (POL-WF)	A	0.880-14 NGO lh
	Designation to standard*	G.10	B	Wing screw
	Country	SE	C	28.0 mm
	Material gasket	NBR	D	18.9 mm

	Commercial name	Small cylinder (KLF)	A	W21.8 x 1/14 lh
	Designation to standard*	G.12	B	Wing nut
	Country	AT, DE, PL, RU	C	18.0 mm
	Material gasket	-	D	7.0 mm

	Commercial name	M20 x 1.5 M	A	M20 x 1.5 rh M
	Designation to standard*	G.13	B	-
	Country	CH, EU, RU	C	-
			D	-

A = Thread designation / B = Spanner size hexagonal / C = Length of coupling nut / D = Diameter of inner pin

*Designation according to EN 16129 annex G and EN 15202 / **Designation GOK factory standard

Inlet connectors

	Commercial name	Compression fitting	Compr. fit. 8	SW 17
	Designation to standard*	G.15 G.22	Compr. fit. 10	SW 19
	Country	International	Compr. fit. 12	SW 22
	Material gasket	–	Compr. fit. 15	SW 27
			Compr. fit. 18	SW 32
			Compr. fit. 22	SW 36
			Compr. fit. 28	SW 41
			Compr. fit. 35	SW 50

	Commercial name	Kombi Soft (Komb.W)	A	W21.8 x 1/14 lh
	Designation to standard*	G.19	B	Wing nut
	Country	DE, ES, RU	C	18.0 mm
	Material gasket	NBR	D	7.0 mm

	Commercial name	Primus	A	M14 x 1.5 rh
	Designation to standard*	G.32	B	–
	Country	FI, GB, PT, SE, NO	C	–
	Material gasket	NBR	D	–

	Commercial name	Cartridge connection (gas cart.)	A	7/16-28 UNEF
	Designation to standard*	G.35	B	–
	Country	International	C	–
	Material gasket	NBR	D	–

A = Thread designation / B = Spanner size hexagonal / C = Length of coupling nut / D = Diameter of inner pin

*Designation according to EN 16129 annex G and EN 15202 / **Designation GOK factory standard

Inlet connectors

	Commercial name	China POL (Chin.POL)	A	M22 x 1.5 lh
	Designation GOK**	X.1	B	Knurled screw
	Country	CN	C	24.0 mm
	Material gasket	NBR	D	19.0 mm

	Commercial name	Shell Kombi soft (Komb.Shell-WS)	A	W21.8 x 1/14 lh
	Designation GOK**	X.2	B	27.0 mm
	Country	NL, RU	C	14.0 mm
	Material gasket	NBR	D	7.0 mm

	Commercial name	Shell Kombi hard (Komb.Shell-H)	A	W21.8 x 1/14 lh
	Designation GOK**	X.3	B	30.0 mm
	Country	RU	C	18.0 mm
	Material gasket	PA	D	7.0 mm

	Commercial name	Shell optimised (Shell)	A	W21.8 x 1/14 lh
	Designation GOK**	X.7	B	27.0 mm
	Country	CZ, RU	C	14.0 mm
	Material gasket	NBR	D	12.5 mm

A = Thread designation / B = Spanner size hexagonal / C = Length of coupling nut / D = Diameter of inner pin

*Designation according to EN 16129 annex G and EN 15202 / **Designation GOK factory standard

Outlet connectors

	Commercial name	M20 x 1.5 M	A	M20 x 1.5 rh
	Designation to standard*	H.1		
	Country	CH, EU, RU		

	Commercial name	Ball-cone connector	A	G 1/4 lh M G 3/8 lh M G 1/2 lh M
	Designation to standard*	H.4, H.6, H.5		
	Country	AT, CH, CZ, DE, PL, RU, SI		

	Commercial name	Compression fitting	Compr. fit. 12 Compr. fit. 15 Compr. fit. 18 Compr. fit. 22 Compr. fit. 28 Compr. fit. 35 Compr. fit. 8 Compr. fit. 10	SW 22 SW 27 SW 32 SW 36 SW 41 SW 50 SW 17 SW 19
	Designation to standard*	H.8 H.9		
	Country	International		

	Commercial name	Hose nozzle (nozzle8-K)	A	–
	Designation to standard*	H.50	B	8.0 mm
	Country	BE, CH, FR, GB, IT, PT, RU, SE, SI	C	max. 24.0 mm
			D	10.0 mm

A = Thread designation / B = Minimum diameter / C = Length of hose nozzle / D = Maximum diameter

*Designation according to EN 16129 annex H



Maintenance and inspection

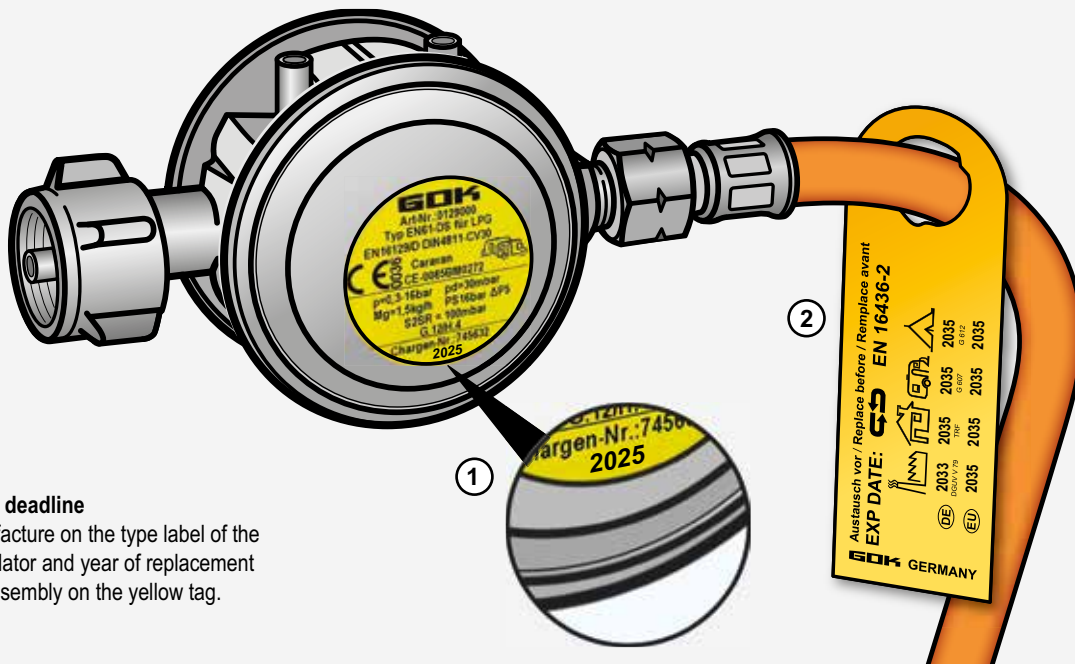
Technical rules define the test intervals and content of the tests for all LPG systems in leisure vehicles. In Germany, the worksheet G 607 (A) issued by the German Technical and Scientific Association for Gas and Water (DVGW) applies.

Inspecting the LPG system

- Each LPG system is to be inspected by a recognised expert.
- The first inspection is carried out before start-up by a recognised specialist for compliance with EN 1949 in conjunction with worksheet G 607 (A) and is usually done by the manufacturer.
- The next inspection must be carried out by a specialist at the latest 24 months after the first inspection.
- The condition of the LPG system must be recorded in an inspection certificate. If no defects are found, the system can be used and an inspection plate is issued.

Replacement deadline for system components

- Pressure regulators, automatic changeover systems and hose assemblies have to be replaced every 10 years at the latest.
- The date of manufacture printed on the fittings and hose assemblies is what matters, not the date of installation or the start-up date.
- In the case of pressure regulators, the date in question is printed on the type label ①. Two basic formats in which the date of manufacture may be indicated are to be distinguished:
 - a) On pressure regulators with an older date of manufacture, the first two digits indicate the month of manufacture, while the two following digits indicate the year. The abbreviation 08/25 means that the pressure regulator was manufactured in August 2025.
 - b) On pressure regulators with a more recent date of manufacture, only the year of manufacture with four digits is indicated, e.g. 2025.
- GOK offers a special service for hose assemblies. They have a yellow tag ② showing the year in which the hose assembly should be replaced in relation to the field of application. If the yellow label is torn or no longer attached, the year of manufacture is also printed on the hose assembly.



Replacement deadline

Date of manufacture on the type label of the pressure regulator and year of replacement of the hose assembly on the yellow tag.

Leak testing when replacing cylinders

For your safety, each time you replace or connect a cylinder check the connection between the gas cylinder valve and the pressure regulator ③ or high pressure hose assembly with a foaming agent (e.g. leak detector spray) for leak-tightness. Alternatively, with suitably equipped pressure regulators, you can use the pressure gauge in the inlet to check for leaks.

Leak testing of pressure regulators without pressure gauge

1. Close all shut-off fittings on the consumer equipment.
2. Slowly open the gas cylinder valve.
3. Spray all connections with a foaming agent according to EN 14291 (e.g. leak detector spray, part no. 02 601 00).
4. Do not use an open flame to check for leaks.
5. Check the leak-tightness by seeing whether bubbles form in the foaming agent.
6. If bubbles form continuously, do not start the LPG system. The cause of the leak must be found and rectified. This should be done by a specialist.

Leak testing of pressure regulators with pressure gauge

Notice: The complete LPG system to the shut-off fittings is tested.

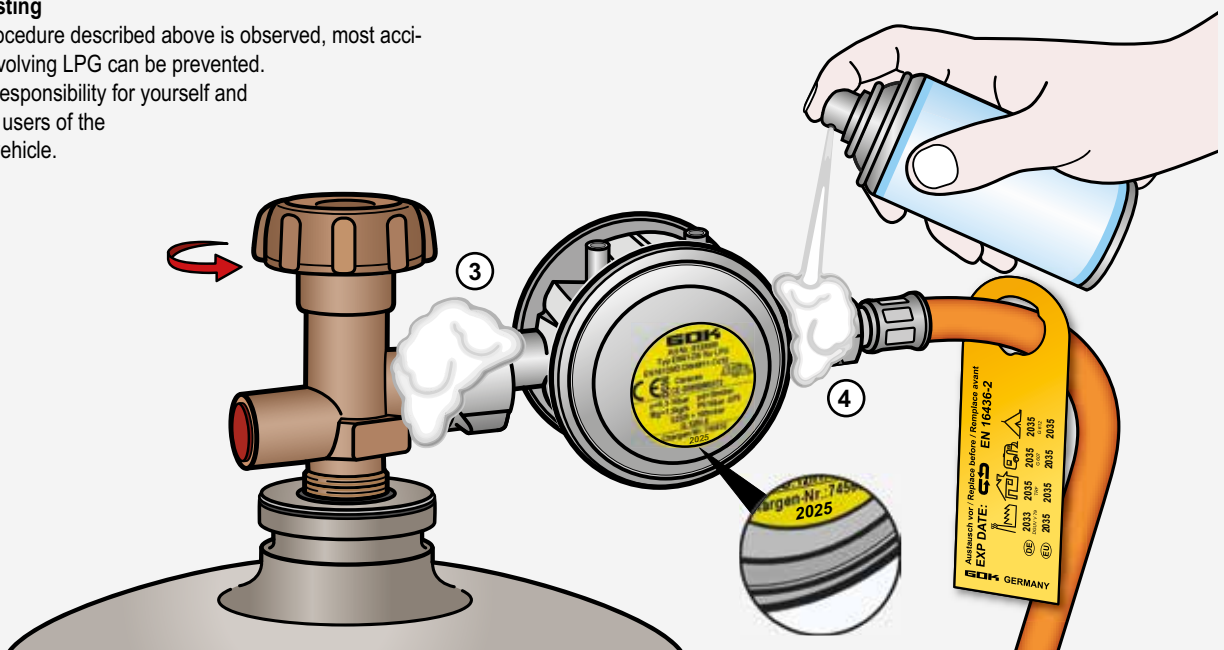
1. Close all shut-off fittings on the consumer equipment.
2. Slowly open the gas cylinder valve.
3. **For pressure gauges with no red pointer:**
Mark the position of the black pointer (shows the current cylinder pressure).
- Pressure gauge with red pointer:**
Turn the red pointer to the exact position of the black pointer to mark the current cylinder pressure.
4. Close the gas cylinder valve.
Waiting time: 2 minutes to allow the temperature to balance out.
5. Adjust the mark or the red pointer if necessary.
Testing time: 10 minutes.
6. The gas pressure must not decrease during the testing time. If the pressure decreases, the entire LPG system must be checked for leaks.

Notice:

All other detachable connections (e.g. hose connection at the outlet of the pressure regulator ④, screw-in connections in the piping) should also be checked regularly for leaks (e.g. with a foaming agent).

Leak testing

If the procedure described above is observed, most accidents involving LPG can be prevented. Accept responsibility for yourself and all other users of the leisure vehicle.



Systematic benefits for the world of retail

Design and quality

Designs and shapes that are colourful, different and sometimes very individual are attractive – but in the world of retail, the opposite holds the cards. “Corporate Design” and “Visual Merchandising” are keywords which repeatedly enthrall the world of the media when it comes to successful brand philosophies and sales presentations. Trend studies also demonstrate that: Buying behaviour is shifting away from “cheap is king!” to brand quality. GOK manufactures high-quality, precision products exclusively in Germany. We are proud to do this because it distinguishes the brand and the shop packaging supports the aspirations for both quality and design. Why?

- Direct perception of the “GOK” brand by the end consumer at the point of sale (POS)
- Compliance with the GOK corporate design
- Uniform design with all sizes, shapes and individual solutions
- Presentation of the quality brand and the clear notice provided of “Made in Germany”
- The user can ascertain and/or visually check the value of the products
- Sales and presentation optimisation – also with small products

Protection and safety

Time is money, which is why these days, products are being transported more and more quickly – frequently at the expense of care.

The GOK shop packaging system protects products from damage all the way from the factory to the retail shelf in the best possible way, and reduces the risk of theft at the POS. At the same time the shop packaging makes the sale more legally secure – with these being the keywords: Product safety laws as well as assembly and operating manual.

- All the sensitive parts of the product are protected
- Safety tag as patented sealing system provides protection against loss, damage and theft
- Dimensionally stable packaging from high-quality plastic
- Identification of the products according to the product safety laws (frequently lost when repackaging the products)
- The assembly and operating manual is integrated in the shop packaging – so it can't be lost

Process optimisation

It's an age-old saying in the world of retail – half of the profit is in the purchase itself. But it isn't just the price of the product that is the deciding factor. The process along the supply chain should also be cost-efficient. With the GOK packaging system, this requirement is satisfied.

- Optimised receipt of goods due to individual labelling with a GTIN code
- Storage capacity and places of storage can be planned more easily due to defined sizes, weights and packaging units
- Huge potential savings with materials and working hours because the product doesn't need to be repackaged
- Rapid equipping of the POS system
- Products stay up-to-date thanks to optimised inventory turnover

DESIGN AND QUALITY

► Small components in visually appealing packaging





PROTECTION UND SAFETY

► Shop packaging with integrated assembly and operating manual.


► Patented sealing system – the so-called “safety tag”



Shop packaging with Euro slots

You can also order all the items of the picture price list marked with this symbol in shop packaging.

Abbreviations and units

Compr. fit.	= Compression fitting according to EN ISO 8434-1	POL F	= Female thread to connect pressure regulators with POL connection
Cu	= Copper	PRV	= Pressure relief valve
De-icer	= De-icer connection possible	PTFE	= Polytetrafluorethylene
EFV	= Excess flow valve, corresponds to integrated excess flow device	ROD	= Directive on transportable pressure equipment (TPED)
F	= Female thread	S2SR	= Safety two stages regulator, corresponds to overpressure safety valve
FKM	= Fluorinated rubber	SBS	= Excess flow device
G	= Thread description for cylindrical female or male thread according to EN ISO 228-1	SKU	= Quick coupler
kg/h	= Kilograms per hour, unit of measurement for flow rate	STN	= Plug-in fitting
LH	= Left-hand thread	UNF	= Unified national fine thread according to ANSI B1.1
M	= Male thread	Zn	= Zinc
NBR	= Nitrile-Butadiene rubber		= Shop packaging with Euro slots
OD	= Outside diameter		
OPSO	= Overpressure shut-off safety valve		

Price list

Part no.	List price	Qty	Page	Part no.	List price	Qty	Page
01 001 00	10.90	1 pc.	88	01 280 19	37.30	1 pc.	36
01 001 04	10.90	1 pc.	88	01 280 23	28.90	1 pc.	36
01 001 80	18.90	1 pc.	88	01 280 24	36.90	1 pc.	107
01 004 01	56.90	1 pc.	110	01 280 38	28.50	1 pc.	106
01 004 02	56.20	1 pc.	110	01 280 45	39.80	1 pc.	36
01 004 40	2.60	1 pc.	180	01 280 46	47.20	1 pc.	107
01 040 00	20.40	1 pc.	87	01 280 47	58.10	1 pc.	107
01 040 03	20.40	1 pc.	87	01 280 53	42.20	1 pc.	36
01 041 00	18.90	1 pc.	87	01 280 60	60.60	1 pc.	107
01 041 06	22.00	1 pc.	87	01 281 05	20.90	1 pc.	36
01 041 15	22.00	1 pc.	87	01 281 15	31.80	1 pc.	36
01 041 25	28.90	1 pc.	109	01 282 01	33.10	1 pc.	41
01 043 00	18.90	1 pc.	87	01 285 00	25.00	1 pc.	36
01 043 25	28.90	1 pc.	109	01 285 10	35.90	1 pc.	36
01 044 00	30.50	1 pc.	89	01 286 05	27.50	1 pc.	36
01 044 02	30.50	1 pc.	89	01 287 00	29.10	1 pc.	26
01 046 00	32.50	1 pc.	89	01 287 10	29.10	1 pc.	26
01 046 03	32.50	1 pc.	89	01 287 90	39.70	1 pc.	41
01 100 35	13.40	1 pc.	180	01 290 00	43.00	1 pc.	37
01 100 65	1.10	1 pc.	180	01 290 03	66.00	1 pc.	107
01 100 83	10.90	1 pc.	180	01 290 05	51.00	1 pc.	37
01 113 00	15.00	1 pc.	38	01 290 07	52.70	1 pc.	107
01 113 05	25.90	1 pc.	38	01 290 10	53.90	1 pc.	37
01 113 08	17.50	1 pc.	38	01 290 15	58.10	1 pc.	37
01 113 09	36.40	1 pc.	108	01 290 16	59.50	1 pc.	37
01 113 12	25.00	1 pc.	108	01 290 17	63.60	1 pc.	107
01 113 13	28.40	1 pc.	38	01 290 37	55.10	1 pc.	107
01 113 40	35.90	1 pc.	108	01 291 02	44.60	1 pc.	26
01 113 41	23.00	1 pc.	38	01 291 12	44.60	1 pc.	26
01 113 42	34.80	1 pc.	38	01 291 32	55.50	1 pc.	26
01 113 43	33.90	1 pc.	38	01 293 05	45.50	1 pc.	37
01 113 45	44.00	1 pc.	108	01 293 22	68.30	1 pc.	42
01 113 50	29.70	1 pc.	41	01 293 23	68.30	1 pc.	42
01 113 61	33.00	1 pc.	108	01 294 71	58.50	1 pc.	26
01 115 00	11.10	1 pc.	184	01 294 76	58.50	1 pc.	26
01 135 00	49.10	1 pc.	170	01 450 00	52.00	1 pc.	43
01 135 05	60.00	1 pc.	170	01 523 00	29.30	1 pc.	89
01 150 00	41.10	1 pc.	170, 184	01 641 40	2.50	1 pc.	180
01 150 02	61.30	1 pc.	171	02 004 62	73.50	1 pc.	57
01 150 05	52.00	1 pc.	170	02 004 63	73.50	1 pc.	57
01 150 30	41.10	1 pc.	170	02 004 64	81.30	1 pc.	57
01 150 32	61.30	1 pc.	171	02 004 70	69.00	1 pc.	114
01 150 35	52.00	1 pc.	170	02 004 71	84.60	1 pc.	114
01 219 02	49.30	1 pc.	40	02 048 82	45.90	1 pc.	112, 115, 136, 144
01 280 00	18.40	1 pc.	36	02 070 10	85.40	1 pc.	168
01 280 04	34.40	1 pc.	107	02 070 20	145.40	1 pc.	168
01 280 09	26.40	1 pc.	36	02 070 21	108.00	1 pc.	169
01 280 10	29.30	1 pc.	36	02 082 00	5.22	1 pc.	137
01 280 12	38.20	1 pc.	36	02 400 00	49.90	1 pc.	120
01 280 14	45.30	1 pc.	107	02 400 01	51.10	1 pc.	120
01 280 15	36.90	1 pc.	106	02 447 00	12.12	1 pc.	53, 81, 100
01 280 17	47.80	1 pc.	107	02 447 01	15.18	1 pc.	53, 81, 100
01 280 18	26.00	1 pc.	106	02 447 02	14.68	1 pc.	53, 81, 100

Price list

Part no.	List price	Qty	Page	Part no.	List price	Qty	Page
02 447 03	11.62	1 pc.	53, 81, 100	02 853 09	29.84	1 pc.	95
02 447 04	13.66	1 pc.	53, 81, 100	03 415 15	3.46	1 pc.	51
02 447 05	16.72	1 pc.	53, 81, 100	03 611 00	27.82	1 pc.	47
02 447 06	14.68	1 pc.	53, 81, 100	03 611 06	28.10	1 pc.	47
02 447 07	14.20	1 pc.	53, 81, 100	03 611 99	30.04	1 pc.	116
02 447 08	18.76	1 pc.	53, 81, 100	03 650 00	44.50	1 pc.	49
02 447 10	4.28	1 pc.	53, 81, 100	03 650 06	44.50	1 pc.	49
02 447 11	3.76	1 pc.	53, 81, 100	03 650 99	47.80	1 pc.	118
02 447 12	3.06	1 pc.	53, 81, 100	03 651 00	72.20	1 pc.	49
02 447 13	3.78	1 pc.	53, 81, 100	03 651 06	72.20	1 pc.	49
02 447 27	8.06	1 pc.	53, 81, 100	03 651 99	76.64	1 pc.	118
02 481 00	194.40	1 pc.	43	03 652 00	100.96	1 pc.	49
02 482 00	194.40	1 pc.	43	03 652 06	100.96	1 pc.	49
02 501 02	9.98	1 pc.	137	03 652 99	106.48	1 pc.	118
02 513 37	0.80	1 pc.	15, 28, 179	03 660 00	44.50	1 pc.	49
02 523 00	5.56	1 pc.	41-43, 137	03 660 06	44.50	1 pc.	49
02 524 00	4.92	1 pc.	138	03 661 00	72.20	1 pc.	49
02 524 10	5.26	1 pc.	138	03 661 06	72.20	1 pc.	49
02 527 00	10.40	1 pc.	42-43, 137	03 662 00	100.96	1 pc.	49
02 528 00	10.40	1 pc.	42-43	03 662 06	100.96	1 pc.	49
02 531 00	10.52	1 pc.	42-43	03 670 00	44.50	1 pc.	50
02 600 59	0.80	1 pc.	71-72, 126	03 670 06	44.50	1 pc.	50
02 601 00	8.60	1 pc.	162	03 670 99	47.80	1 pc.	119
02 601 01	6.60	1 pc.	72, 126, 162	03 671 00	72.20	1 pc.	50
02 602 00	11.00	1 pc.	162	03 671 06	72.20	1 pc.	50
02 611 00	348.00	1 pc.	72, 126	03 671 99	76.64	1 pc.	119
02 611 06	77.30	1 pc.	70, 72, 126, 129	03 672 00	100.96	1 pc.	50
02 611 10	432.00	1 pc.	71	03 672 06	100.96	1 pc.	50
02 611 27	0.80	1 pc.	71-72, 126	03 672 99	106.48	1 pc.	119
02 611 40	9.40	1 pc.	71-72, 126	03 680 00	44.50	1 pc.	50
02 616 26	177.00	1 pc.	71-72, 126	03 680 06	44.50	1 pc.	50
02 617 22	10.86	1 pc.	71-72, 126	03 681 00	72.20	1 pc.	50
02 618 00	41.58	1 pc.	52	03 681 06	72.20	1 pc.	50
02 618 06	18.30	1 pc.	52, 71-72, 126, 173-174	03 682 00	100.96	1 pc.	50
02 618 10	41.58	1 pc.	52	03 682 06	100.96	1 pc.	50
02 700 07	31.06	1 pc.	120	03 700 00	30.54	1 pc.	146
02 700 08	31.06	1 pc.	120	03 700 06	30.82	1 pc.	146
02 700 10	31.06	1 pc.	120	03 700 70	4.90	1 pc.	147
02 714 03	48.12	1 pc.	33	03 701 00	28.90	1 pc.	146
02 714 28	6.62	1 pc.	33	03 701 06	29.18	1 pc.	146
02 714 35	46.08	1 pc.	33	03 702 00	31.68	1 pc.	146
02 714 36	49.66	1 pc.	33	03 702 06	32.00	1 pc.	146
02 734 10	84.78	1 pc.	177	03 711 00	27.82	1 pc.	46
02 734 11	84.78	1 pc.	177	03 711 06	28.10	1 pc.	46
02 734 12	84.78	1 pc.	177	03 722 00	51.94	1 pc.	146
02 738 01	85.60	1 pc.	175, 177	03 723 00	30.04	1 pc.	146
02 739 01	85.60	1 pc.	175, 177	03 750 00	44.50	1 pc.	48
02 845 00	22.74	1 pc.	93	03 750 06	44.50	1 pc.	48
02 845 01	28.46	1 pc.	93	03 751 00	72.20	1 pc.	48
02 850 00	22.60	1 pc.	95	03 751 06	72.20	1 pc.	48
02 850 01	22.60	1 pc.	95	03 752 00	100.96	1 pc.	48
02 850 07	22.60	1 pc.	54	03 752 06	100.96	1 pc.	48
02 853 00	29.84	1 pc.	95	03 760 00	44.50	1 pc.	48

Price list

Part no.	List price	Qty	Page	Part no.	List price	Qty	Page
03 760 06	44.50	1 pc.	48	04 440 08	16.16	1 pc.	112, 144
03 761 00	72.20	1 pc.	48	04 440 09	14.62	1 pc.	112, 144
03 761 06	72.20	1 pc.	48	04 440 10	14.26	1 pc.	112, 144
03 762 00	100.96	1 pc.	48	04 440 17	16.16	1 pc.	112, 144
03 762 06	100.96	1 pc.	48	04 440 18	14.26	1 pc.	112, 144
04 002 09	3.14	1 pc.	89, 94, 161	04 440 19	13.06	1 pc.	112, 144
04 046 00	13.20	1 pc.	137	04 440 21	15.82	1 pc.	112, 144
04 047 00	3.16	1 pc.	137	04 440 22	12.84	1 pc.	112, 144
04 048 00	11.06	1 pc.	139, 168-169	04 440 36	17.36	1 pc.	112, 144
04 221 00	7.84	1 pc.	55, 96, 140	04 440 37	16.26	1 pc.	112, 144
04 222 00	9.52	1 pc.	55, 96, 140	04 441 00	10.40	1 pc.	112, 144
04 223 00	10.58	1 pc.	55, 96, 140	04 441 01	14.94	1 pc.	112, 144
04 224 00	12.26	1 pc.	55, 64, 96, 140	04 441 02	13.38	1 pc.	112, 144
04 225 00	14.48	1 pc.	55, 96, 140	04 441 03	11.84	1 pc.	112, 144
04 227 00	19.10	1 pc.	55, 96, 140	04 444 11	28.56	1 pc.	110, 112, 144
04 227 05	31.08	1 pc.	55, 96, 140	04 454 00	7.64	1 pc.	96, 140
04 401 02	5.42	1 pc.	55, 96, 140	04 454 02	4.98	1 pc.	96, 140
04 402 00	5.10	1 pc.	39, 55, 96, 140	04 454 15	17.28	1 pc.	112, 144
04 402 30	4.08	1 pc.	40, 56, 99, 142	04 454 30	5.66	1 pc.	99, 142
04 403 30	4.40	1 pc.	40, 56, 99, 142	04 454 34	4.18	1 pc.	99, 142, 184
04 404 00	5.92	1 pc.	55, 96, 140	04 455 00	9.52	1 pc.	96, 140
04 405 00	6.84	1 pc.	96, 140	04 455 30	7.12	1 pc.	99, 142
04 405 01	6.84	1 pc.	39, 54-55, 96, 140	04 456 00	11.84	1 pc.	96, 140
04 405 30	5.10	1 pc.	99, 142	04 456 30	8.64	1 pc.	99, 142
04 405 31	6.12	1 pc.	40, 56, 99, 142	04 457 00	16.36	1 pc.	96, 140
04 406 00	7.66	1 pc.	96, 140	04 457 01	28.32	1 pc.	96, 140
04 406 30	5.72	1 pc.	99, 142	04 457 30	11.80	1 pc.	99, 142
04 407 00	6.84	1 pc.	96, 140	04 458 30	17.86	1 pc.	99, 142
04 407 15	14.24	1 pc.	112, 144	04 504 01	14.94	1 pc.	105
04 407 30	5.10	1 pc.	99, 142	04 508 04	9.52	1 pc.	98, 139
04 408 00	9.60	1 pc.	96, 140	04 508 10	10.40	1 pc.	98, 139
04 408 30	7.14	1 pc.	99, 142	04 590 25	0.80	1 pc.	15, 21, 26, 28, 33, 179
04 409 02	9.74	1 pc.	96, 140	04 660 00	9.90	1 pc.	99, 142
04 409 03	7.00	1 pc.	39, 55, 96, 140	04 661 00	13.26	1 pc.	99, 142
04 409 07	8.88	1 pc.	39, 54-55, 96, 140	05 004 04	261.94	1 pc.	110
04 409 31	5.92	1 pc.	40, 56, 99, 142	05 067 00	512.20	1 pc.	17
04 409 33	7.10	1 pc.	99, 142	05 068 00	296.78	1 pc.	174
04 409 35	7.74	1 pc.	99, 142	05 069 00	202.56	1 pc.	173
04 422 00	11.74	1 pc.	96, 140	05 071 00	289.00	1 pc.	18
04 423 00	16.36	1 pc.	96, 140	05 071 01	289.00	1 pc.	18
04 423 30	12.06	1 pc.	99, 142	05 076 00	392.08	1 pc.	175
04 436 00	9.08	1 pc.	96, 140	05 078 00	437.76	1 pc.	177
04 436 02	6.30	1 pc.	39, 55, 96, 140	05 078 20	271.90	1 pc.	174, 177
04 436 06	10.90	1 pc.	96, 140	05 087 20	317.50	1 pc.	176
04 436 09	8.18	1 pc.	96, 140	05 087 30	396.50	1 pc.	176
04 436 10	13.16	1 pc.	96, 140	05 087 60	82.50	1 pc.	176
04 440 00	11.52	1 pc.	112, 144	05 087 70	83.38	1 pc.	176
04 440 01	12.38	1 pc.	105, 112, 144	05 150 00	64.88	1 pc.	166, 184
04 440 03	11.52	1 pc.	112, 144	05 150 02	86.44	1 pc.	166
04 440 04	14.62	1 pc.	112, 144	05 150 06	75.06	1 pc.	166
04 440 05	13.06	1 pc.	112, 144	05 150 30	64.88	1 pc.	166
04 440 06	12.78	1 pc.	112, 144	06 102 00	4.48	1 m	165
04 440 07	15.82	1 pc.	112, 144	06 301 00	4.90	1 m	164

Price list

Part no.	List price	Qty	Page	Part no.	List price	Qty	Page
06 302 00	5.20	1 m	164	07 748 00	16.88	1 pc.	59, 149
06 303 00	6.02	1 m	164	07 763 00	14.77	1 pc.	59, 149
06 304 00	5.60	1 m	164	07 768 00	5.21	1 pc.	60, 150
06 305 00	6.22	1 m	164	07 780 00	11.57	1 pc.	61, 151
06 306 00	6.02	1 m	164	07 794 00	4.39	1 pc.	60, 150
06 307 00	6.52	1 m	164	07 872 00	9.69	1 pc.	61, 151
06 309 00	7.96	1 m	164	07 873 00	9.80	1 pc.	61, 151
06 310 00	9.18	1 m	164	07 880 00	24.72	1 pc.	155
06 312 00	12.94	1 m	164	08 034 01	1.28	1 pc.	165
06 500 00	684.00	1 pc.	165	08 035 01	1.34	1 pc.	165
07 051 00	17.26	1 pc.	60, 150	08 093 00	0.54	1 pc.	161
07 108 00	0.48	1 pc.	159	08 094 00	0.64	1 pc.	161
07 108 05	1.82	1 pc.	159	09 706 00	10.52	1 pc.	94
07 109 00	0.66	1 pc.	159	09 735 00	23.50	1 pc.	132
07 109 05	4.20	1 pc.	159	09 735 25	0.80	1 pc.	84, 132
07 151 00	0.38	1 pc.	160	09 735 31	5.88	1 pc.	132
07 152 00	0.48	1 pc.	160	09 735 32	5.88	1 pc.	132
07 171 00	0.45	1 pc.	160	09 735 33	5.88	1 pc.	132
07 172 00	0.52	1 pc.	160	09 735 34	5.88	1 pc.	132
07 191 10	3.44	1 pc.	161	09 735 60	12.92	1 pc.	132
07 192 10	3.48	1 pc.	161	09 737 00	20.36	1 pc.	45, 91, 111
07 223 00	3.79	1 pc.	61, 151	09 737 01	20.36	1 pc.	45, 91, 111
07 354 00	6.71	1 pc.	62, 152	09 737 02	27.54	1 pc.	45, 91, 111
07 355 00	8.85	1 pc.	62, 152	09 737 04	22.76	1 pc.	45, 91, 111
07 371 00	15.22	1 pc.	62, 152	09 737 05	22.76	1 pc.	45, 91, 111
07 372 00	21.29	1 pc.	62, 152	09 738 00	23.50	1 pc.	134
07 502 00	24.05	1 pc.	124, 156	09 738 31	5.88	1 pc.	134
07 503 00	25.85	1 pc.	156	09 738 32	5.88	1 pc.	134
07 508 00	34.19	1 pc.	124, 156	09 738 33	5.88	1 pc.	134
07 509 00	39.76	1 pc.	156	09 738 34	5.88	1 pc.	134
07 514 00	57.38	1 pc.	124, 157	09 739 00	23.50	1 pc.	133
07 515 00	52.77	1 pc.	157	09 739 31	5.88	1 pc.	133
07 551 00	3.19	1 pc.	159	09 739 32	5.88	1 pc.	133
07 551 01	2.12	1 pc.	160	09 739 33	5.88	1 pc.	133
07 552 00	4.24	1 pc.	159	09 739 34	5.88	1 pc.	133
07 552 01	6.53	1 pc.	160	09 740 00	12.52	1 pc.	94
07 570 00	38.44	1 pc.	124, 157	09 744 00	9.08	1 pc.	94
07 599 08	43.56	1 pc.	125, 158	09 745 00	8.40	1 pc.	94
07 599 10	53.69	1 pc.	158	09 805 10	145.50	1 pc.	185
07 599 50	42.70	1 pc.	125, 158	11 445 08	44.90	1 pc.	44, 115, 136
07 602 00	9.28	1 pc.	154	11 445 40	57.90	1 pc.	44, 115, 136
07 608 00	13.20	1 pc.	154	14 013 00	2.02	1 pc.	138
07 614 00	16.34	1 pc.	155	14 040 00	2.24	1 pc.	71, 129, 138
07 681 00	27.76	1 pc.	155	14 359 07	11.18	1 pc.	177
07 681 05	31.69	1 pc.	155	14 359 08	11.08	1 pc.	177
07 702 00	2.65	1 pc.	58, 148	14 359 09	11.08	1 pc.	177
07 703 00	3.89	1 pc.	58, 148	14 359 51	15.96	1 pc.	177
07 708 00	6.10	1 pc.	58, 148	14 359 52	17.06	1 pc.	177
07 709 00	7.63	1 pc.	58, 148	14 359 53	20.26	1 pc.	177
07 714 00	8.75	1 pc.	59, 149	14 360 20	12.60	1 pc.	177
07 715 00	9.63	1 pc.	59, 149	14 360 21	12.60	1 pc.	177
07 727 00	4.42	1 pc.	59, 149	14 360 22	12.60	1 pc.	177
07 734 00	9.73	1 pc.	59, 149	14 468 00	4.08	1 pc.	64

Price list

Part no.	List price	Qty	Page	Part no.	List price	Qty	Page
14 515 00	5.74	1 pc.	137	21 733 30	50.50	1 pc.	65
14 516 00	8.52	1 pc.	137	21 734 00	96.08	1 pc.	64
18 503 00	237.00	1 pc.	178	21 734 05	112.80	1 pc.	64
18 503 03	283.00	1 pc.	178	21 735 00	239.90	1 pc.	67
18 504 00	297.00	1 pc.	178	21 737 00	104.86	1 pc.	64
18 504 03	367.00	1 pc.	178	21 737 05	120.86	1 pc.	64
18 504 10	4.80	1 pc.	178	21 990 60	10.70	1 pc.	185
18 504 11	62.30	1 pc.	178	21 990 90	10.90	1 pc.	185
18 504 15	23.50	1 pc.	178	21 993 00	9.70	1 pc.	185
18 505 00	551.00	1 pc.	178	21 993 01	9.40	1 pc.	185
18 505 03	690.00	1 pc.	178	27 100 00	402.90	1 pc.	70, 73, 129-130
18 507 00	140.00	1 pc.	178	27 101 00	258.06	1 pc.	72
18 508 00	46.50	1 pc.	178	27 101 01	35.70	1 pc.	72
18 509 00	69.50	1 pc.	178	27 101 03	51.90	1 pc.	72
18 511 00	828.00	1 pc.	178	27 101 04	86.90	1 pc.	72
18 513 00	199.00	1 pc.	178	27 105 00	1,336.00	1 pc.	68, 73, 127, 130
18 513 03	230.00	1 pc.	178	27 107 25	5.60	1 pc.	68, 127
18 514 00	226.00	1 pc.	178	27 107 26	57.00	1 pc.	68, 127
18 514 03	269.00	1 pc.	178	27 108 00	1,234.00	1 pc.	69, 128
18 517 00	32.00	1 pc.	178	27 110 00	570.00	1 pc.	129-130
18 518 00	43.00	1 pc.	178	27 120 00	464.00	1 pc.	70, 73, 130
18 606 00	76.00	1 pc.	184	27 121 00	23.00	1 pc.	125, 158
18 608 00	102.00	1 pc.	184	27 121 20	23.00	1 pc.	125, 158
18 611 00	282.00	1 pc.	184	27 121 30	23.00	1 pc.	125, 158
20 009 75	0.80	1 pc.	28, 179	27 130 00	305.00	1 pc.	71, 129
20 009 81	0.80	1 pc.	15, 28, 179	27 600 00	35.48	1 pc.	181
20 009 98	0.80	1 pc.	179	27 601 00	57.72	1 pc.	181
20 011 05	0.80	1 pc.	15, 28, 179	29 111 00	80.50	1 pc.	168-169
20 013 97	0.80	1 pc.	180	29 111 10	2.76	1 pc.	168-169
20 015 29	0.80	1 pc.	45, 91, 111, 179	55 211 60	0.80	1 pc.	71-72, 126
20 036 35	36.92	1 pc.	135	55 300 90	0.40	1 pc.	180
20 037 00	77.20	1 pc.	179	55 300 95	0.80	1 pc.	180
21 001 00	142.00	1 pc.	101	55 301 90	0.64	1 pc.	180
21 002 00	249.00	1 pc.	101	58 803 00	64.90	1 pc.	68-69, 127-128
21 002 06	239.00	1 pc.	101	60 300 92	5.64	1 pc.	83, 135
21 003 00	303.00	1 pc.	101	61 001 00	13.50	1 pc.	88
21 010 00	176.50	1 pc.	101	61 001 02	13.50	1 pc.	88
21 011 00	259.10	1 pc.	101	61 041 00	21.50	1 pc.	87
21 100 70	192.86	1 pc.	131	61 041 07	24.60	1 pc.	76
21 100 71	192.86	1 pc.	131	61 041 09	24.60	1 pc.	87
21 100 80	270.50	1 pc.	131	61 041 16	24.60	1 pc.	87
21 100 85	270.50	1 pc.	131	61 043 00	21.50	1 pc.	87
21 211 90	5.60	1 pc.	180	61 044 00	33.10	1 pc.	89
21 315 02	46.82	1 pc.	51	61 044 05	33.10	1 pc.	89
21 315 04	54.48	1 pc.	51	61 046 00	35.10	1 pc.	89
21 320 00	45.90	1 pc.	102	61 113 00	17.60	1 pc.	38
21 390 00	3.36	1 pc.	102	61 113 03	28.50	1 pc.	38
21 731 00	82.62	1 pc.	64	61 113 07	38.50	1 pc.	108
21 731 05	98.64	1 pc.	64	61 113 11	20.10	1 pc.	38
21 731 15	103.50	1 pc.	115	61 113 12	31.00	1 pc.	38
21 733 00	112.20	1 pc.	64	61 113 13	37.40	1 pc.	38
21 733 05	128.20	1 pc.	64	61 113 14	27.60	1 pc.	108
21 733 20	50.50	1 pc.	65	61 113 15	46.60	1 pc.	108

Price list

Part no.	List price	Qty	Page	Part no.	List price	Qty	Page
61 113 16	35.60	1 pc.	108	62 018 00	6.60	1 pc.	83
61 113 17	28.00	1 pc.	108	62 038 00	47.90	1 pc.	77, 90
61 113 25	25.60	1 pc.	38	62 038 01	68.30	1 pc.	78
61 113 27	28.00	1 pc.	38	62 038 05	88.90	1 pc.	77, 90
61 113 30	39.00	1 pc.	108	62 038 11	68.30	1 pc.	78
61 113 32	38.00	1 pc.	108	62 038 12	68.30	1 pc.	78
61 150 00	43.70	1 pc.	170	62 038 13	70.70	1 pc.	78
61 150 02	62.90	1 pc.	171	62 039 00	22.38	1 pc.	92, 172
61 150 03	54.60	1 pc.	170	62 039 05	25.04	1 pc.	92, 172
61 150 07	54.60	1 pc.	170	62 039 06	27.72	1 pc.	92, 172
61 280 00	21.00	1 pc.	37	62 039 07	25.06	1 pc.	92, 172
61 280 05	42.40	1 pc.	37	62 039 08	27.72	1 pc.	92, 172
61 280 06	47.90	1 pc.	107	62 039 10	77.92	1 pc.	172
61 280 07	37.00	1 pc.	107	62 070 00	76.96	1 pc.	92, 167
61 280 14	40.80	1 pc.	37	62 070 03	87.00	1 pc.	168
61 280 15	29.00	1 pc.	37	62 070 04	49.45	1 pc.	169
61 280 17	49.80	1 pc.	107	62 082 00	6.82	1 pc.	12, 14, 24, 137
61 280 20	39.50	1 pc.	107	62 400 00	52.50	1 pc.	120
61 280 27	31.90	1 pc.	37	62 400 01	53.70	1 pc.	120
61 280 30	39.90	1 pc.	37	62 447 00	13.72	1 pc.	53, 81, 100
61 280 32	31.50	1 pc.	37	62 447 01	16.78	1 pc.	53, 81, 100
61 280 33	42.98	1 pc.	37	62 447 02	16.28	1 pc.	53, 81, 100
61 280 34	43.91	1 pc.	37	62 447 03	13.22	1 pc.	53, 81, 100
61 280 35	39.50	1 pc.	107	62 447 04	15.26	1 pc.	53, 81, 100
61 280 37	28.60	1 pc.	107	62 447 05	18.32	1 pc.	53, 81, 100
61 280 38	31.10	1 pc.	107	62 447 06	16.28	1 pc.	53, 81, 100
61 281 00	34.40	1 pc.	37	62 447 07	15.80	1 pc.	53, 81, 100
61 281 01	23.50	1 pc.	37	62 447 08	20.36	1 pc.	53, 81, 100
61 285 00	27.60	1 pc.	37	62 447 10	5.88	1 pc.	53, 77, 81, 90, 100
61 285 02	38.50	1 pc.	37	62 447 11	5.36	1 pc.	53, 77, 81, 90, 100
61 286 00	30.10	1 pc.	37	62 447 12	4.66	1 pc.	53, 77, 81, 90, 100
61 286 02	41.52	1 pc.	37	62 447 13	5.38	1 pc.	53, 77, 81, 90, 100
61 287 05	31.70	1 pc.	27	62 447 14	9.66	1 pc.	53, 81, 100
61 287 06	31.70	1 pc.	27	62 501 00	11.58	1 pc.	137
61 290 03	56.50	1 pc.	37	62 504 00	22.59	1 pc.	134
61 290 05	45.60	1 pc.	37	62 504 01	22.59	1 pc.	134
61 290 06	66.20	1 pc.	107	62 504 02	22.59	1 pc.	134
61 290 09	68.60	1 pc.	107	62 521 00	7.30	1 pc.	83, 115
61 290 10	54.30	1 pc.	107	62 523 00	7.16	1 pc.	41-43, 137
61 290 11	53.60	1 pc.	37	62 523 01	23.84	1 pc.	134
61 290 12	57.70	1 pc.	107	62 524 00	6.52	1 pc.	138
61 291 01	47.20	1 pc.	27	62 524 02	6.86	1 pc.	138
61 291 02	47.20	1 pc.	27	62 527 00	12.00	1 pc.	42-43, 137
61 291 03	58.10	1 pc.	27	62 528 00	12.00	1 pc.	42-43
61 293 03	48.10	1 pc.	37	62 531 00	12.12	1 pc.	42-43
61 293 04	59.75	1 pc.	37	62 601 00	9.20	1 pc.	82, 162
61 293 05	70.90	1 pc.	42	62 616 00	179.60	1 pc.	71-72, 126
61 293 06	70.90	1 pc.	42	62 618 02	44.18	1 pc.	52
61 294 02	61.10	1 pc.	27	62 618 03	20.90	1 pc.	52
61 294 03	61.10	1 pc.	27	62 618 04	44.18	1 pc.	52
61 450 01	54.60	1 pc.		62 714 02	48.68	1 pc.	33
61 523 00	31.90	1 pc.	76, 89	62 714 03	52.26	1 pc.	33
62 004 02	83.90	1 pc.	57	62 714 06	50.72	1 pc.	33

Price list

Part no.	List price	Qty	Page	Part no.	List price	Qty	Page
62 714 28	8.22	1 pc.	33	64 046 00	14.80	1 pc.	137
62 845 00	25.34	1 pc.	93	64 047 00	4.76	1 pc.	27, 137-138
62 850 00	24.20	1 pc.	79, 95	64 048 00	12.66	1 pc.	139
62 850 02	24.20	1 pc.	79, 95	64 221 01	10.44	1 pc.	55, 97, 141
62 853 02	31.44	1 pc.	79, 95	64 222 00	12.12	1 pc.	55, 97, 141
62 853 03	31.44	1 pc.	79, 95	64 223 00	13.18	1 pc.	55, 97, 141
63 505 00	4.98	1 pc.	120, 159	64 224 00	14.86	1 pc.	55, 65, 97, 141
63 515 00	5.04	1 pc.	159	64 225 00	17.08	1 pc.	55, 97, 141
63 611 00	29.42	1 pc.	47	64 227 00	32.68	1 pc.	55, 97, 141
63 611 06	29.70	1 pc.	47	64 227 01	21.70	1 pc.	55, 97, 141
63 611 09	31.64	1 pc.	116	64 401 04	8.02	1 pc.	55, 97, 141
63 650 00	44.50	1 pc.	49	64 402 00	7.70	1 pc.	39, 55, 97, 141
63 650 09	47.80	1 pc.	118	64 402 02	6.68	1 pc.	40, 56, 99, 142
63 651 00	72.20	1 pc.	49	64 404 00	8.52	1 pc.	55, 97, 141
63 651 09	76.64	1 pc.	118	64 405 00	9.44	1 pc.	97, 141
63 652 00	100.96	1 pc.	49	64 405 01	9.44	1 pc.	39, 55, 97, 141
63 652 09	106.48	1 pc.	118	64 405 03	7.70	1 pc.	99, 142
63 660 00	44.50	1 pc.	49	64 406 00	10.26	1 pc.	97, 141
63 661 00	72.20	1 pc.	49	64 406 02	8.32	1 pc.	99, 142
63 662 00	100.96	1 pc.	49	64 407 00	9.44	1 pc.	80, 97, 141
63 670 00	44.50	1 pc.	50	64 407 01	7.70	1 pc.	80, 99, 142
63 670 09	47.80	1 pc.	119	64 407 04	16.84	1 pc.	113, 145
63 671 00	72.20	1 pc.	50	64 408 00	12.20	1 pc.	97, 141
63 671 09	76.64	1 pc.	119	64 408 02	9.74	1 pc.	99, 142
63 672 00	100.96	1 pc.	50	64 409 00	9.60	1 pc.	39, 55, 97, 141
63 672 09	106.48	1 pc.	119	64 409 02	11.48	1 pc.	39, 55, 97, 141
63 680 00	44.50	1 pc.	50	64 409 04	9.90	1 pc.	5, 8
63 681 00	72.20	1 pc.	50	64 409 07	12.34	1 pc.	97, 141
63 682 00	100.96	1 pc.	50	64 409 09	8.52	1 pc.	40, 56, 99, 142
63 690 00	6.14	1 pc.	47, 49-50, 116, 118-119	64 422 00	14.34	1 pc.	97, 141
63 700 00	32.14	1 pc.	146	64 423 00	14.66	1 pc.	99, 142
63 700 06	32.42	1 pc.	146	64 423 01	18.96	1 pc.	97, 141
63 700 70	6.50	1 pc.	147	64 436 03	8.90	1 pc.	39, 55, 97, 141
63 701 00	30.50	1 pc.	146	64 440 00	14.12	1 pc.	113, 145
63 701 06	30.78	1 pc.	146	64 440 02	14.98	1 pc.	105, 113, 145
63 702 00	33.28	1 pc.	146	64 440 04	14.12	1 pc.	113, 145
63 702 06	33.60	1 pc.	146	64 440 06	15.38	1 pc.	113, 145
63 711 00	29.42	1 pc.	46	64 440 09	18.42	1 pc.	113, 145
63 711 06	29.70	1 pc.	46	64 440 11	18.76	1 pc.	113, 145
63 711 09	31.64	1 pc.	116	64 440 12	16.86	1 pc.	113, 145
63 722 00	54.54	1 pc.	146	64 440 13	19.96	1 pc.	113, 145
63 723 00	32.64	1 pc.	146	64 440 14	18.42	1 pc.	113, 145
63 750 00	44.50	1 pc.	48	64 440 15	15.44	1 pc.	113, 145
63 750 01	6.14	1 pc.	48, 117	64 440 22	15.66	1 pc.	113, 145
63 750 09	47.80	1 pc.	117	64 440 23	16.86	1 pc.	113, 145
63 751 00	72.20	1 pc.	48	64 440 25	15.66	1 pc.	113, 145
63 751 09	76.64	1 pc.	117	64 440 38	17.22	1 pc.	113, 145
63 752 00	100.96	1 pc.	48	64 440 39	18.76	1 pc.	113, 145
63 752 09	106.48	1 pc.	117	64 440 40	23.00	1 pc.	113, 115, 145
63 760 00	44.50	1 pc.	48	64 440 41	18.86	1 pc.	113, 145
63 761 00	72.20	1 pc.	48	64 441 03	14.44	1 pc.	113, 145
63 762 00	100.96	1 pc.	48	64 441 05	13.00	1 pc.	113, 145
64 002 02	7.88	1 pc.	94, 161	64 441 06	17.54	1 pc.	113, 145

Price list

Part no.	List price	Qty	Page	Part no.	List price	Qty	Page
64 441 07	15.98	1 pc.	113, 145	67 872 00	11.29	1 pc.	61, 151
64 444 00	31.16	1 pc.	113, 145	67 873 01	11.40	1 pc.	61, 151
64 454 00	10.24	1 pc.	97, 141	67 880 01	26.32	1 pc.	123, 155
64 454 02	8.26	1 pc.	99, 142	68 034 01	8.00	1 pc.	165
64 454 03	6.78	1 pc.	99, 142	68 035 02	8.30	1 pc.	165
64 454 08	7.58	1 pc.	97, 141	68 093 01	4.30	1 pc.	161
64 454 11	19.88	1 pc.	113, 145	69 706 00	13.12	1 pc.	82, 94
64 455 00	12.12	1 pc.	80, 97, 141	69 727 00	22.84	1 pc.	134
64 455 01	9.72	1 pc.	80, 99, 142	69 727 01	22.84	1 pc.	134
64 456 00	14.44	1 pc.	97, 141	69 735 00	25.10	1 pc.	84, 132
64 456 01	11.24	1 pc.	99, 142	69 735 03	7.48	1 pc.	132
64 457 00	18.96	1 pc.	97, 141	69 735 07	14.52	1 pc.	132
64 457 01	14.40	1 pc.	99, 142	69 735 10	47.44	1 pc.	131
64 457 03	29.92	1 pc.	97, 141	69 735 21	7.48	1 pc.	132
64 458 00	19.46	1 pc.	99, 142	69 735 22	7.48	1 pc.	132
64 504 01	17.54	1 pc.	105	69 735 23	7.48	1 pc.	132
64 505 11	15.47	1 pc.	8, 97, 141	69 737 00	21.96	1 pc.	45, 91, 111
64 508 00	13.00	1 pc.	98, 139	69 737 04	21.96	1 pc.	45, 91, 111
64 661 00	15.86	1 pc.	99, 142	69 737 05	24.36	1 pc.	45, 91, 111
65 150 00	67.48	1 pc.	166	69 737 08	29.14	1 pc.	45, 91, 111
65 150 02	67.48	1 pc.	166	69 737 09	24.36	1 pc.	45, 91, 111
65 150 04	88.04	1 pc.	166	69 738 00	25.10	1 pc.	134
67 051 00	18.86	1 pc.	60, 150	69 738 02	7.48	1 pc.	134
67 108 00	3.04	1 pc.	159	69 738 07	7.48	1 pc.	134
67 108 06	7.06	1 pc.	159	69 738 08	7.48	1 pc.	134
67 109 00	3.58	1 pc.	159	69 738 09	7.48	1 pc.	134
67 109 03	14.20	1 pc.	159	69 739 00	25.10	1 pc.	84, 133
67 151 02	3.50	1 pc.	160	69 739 04	7.48	1 pc.	133
67 152 03	4.00	1 pc.	160	69 739 10	47.44	1 pc.	133
67 171 00	3.85	1 pc.	160	69 740 00	15.12	1 pc.	94
67 172 00	4.20	1 pc.	160	69 744 00	10.68	1 pc.	94
67 191 01	11.92	1 pc.	161	69 745 00	10.00	1 pc.	82, 94
67 192 00	12.04	1 pc.	161	71 113 13	170.50	1 pc.	13
67 223 00	5.39	1 pc.	5, 8, 11-12, 14, 24, 61, 151	71 113 23	170.50	1 pc.	13
67 354 00	8.31	1 pc.	62, 152	71 123 13	291.00	1 pc.	11
67 355 02	10.45	1 pc.	62, 152	71 123 23	291.00	1 pc.	11
67 371 00	16.82	1 pc.	62, 152	71 133 13	220.00	1 pc.	23
67 602 01	10.88	1 pc.	122, 154	71 135 13	220.00	1 pc.	23
67 608 01	14.80	1 pc.	122, 154	71 218 01	131.00	1 pc.	105
67 614 01	17.94	1 pc.	122, 155	71 218 02	131.00	1 pc.	105
67 681 01	29.36	1 pc.	123, 155	71 300 00	137.50	1 pc.	11-12, 17, 19, 23-25, 30
67 681 05	33.29	1 pc.	123, 155	71 300 20	103.20	1 pc.	11-14, 17-19, 23-25, 31
67 702 00	4.25	1 pc.	27, 58, 138, 148	71 390 00	37.40	1 pc.	19, 30
67 703 00	5.49	1 pc.	58, 148	71 390 20	41.10	1 pc.	11-14, 17-19, 23-25, 30-31
67 708 00	7.70	1 pc.	58, 148	71 391 00	4.60	1 pc.	9, 19, 30-31, 35, 106
67 709 00	9.23	1 pc.	58, 148	71 391 20	75.30	1 pc.	19, 30-31
67 714 00	10.35	1 pc.	59, 149	71 392 00	134.20	1 pc.	8-9, 35, 105-106
67 715 02	11.23	1 pc.	59, 149	71 392 01	15.04	1 pc.	9, 35, 106
67 727 00	6.02	1 pc.	27, 59, 138, 149	71 445 00	46.50	1 pc.	44, 115, 136
67 763 00	16.37	1 pc.	59, 149	71 445 02	59.50	1 pc.	44, 115, 136
67 768 00	6.81	1 pc.	60, 150	71 446 00	61.54	1 pc.	44, 114
67 780 00	13.17	1 pc.	61, 151	71 508 00	14.20	1 pc.	25, 27, 33, 138
67 794 00	5.99	1 pc.	60, 150	71 508 04	14.20	1 pc.	25, 27, 33, 138

Price list

Part no.	List price	Qty	Page	Part no.	List price	Qty	Page
71 508 05	14.20	1 pc.	25, 27, 33, 138	71 884 01	40.70	1 pc.	15
71 508 06	14.20	1 pc.	25, 27, 33, 138	71 884 02	40.70	1 pc.	15
71 509 00	15.80	1 pc.	11-14, 16, 21, 24-25, 27, 29	71 884 03	40.70	1 pc.	15
71 509 20	24.50	1 pc.	11-12, 21, 23-25	71 884 07	40.70	1 pc.	15
71 509 30	7.40	1 pc.	11-12, 17, 21, 23-25	71 884 08	40.70	1 pc.	15
71 510 00	5.20	1 pc.	125, 158	71 884 10	40.70	1 pc.	15
71 684 01	20.80	1 pc.	28	71 884 12	40.70	1 pc.	11, 13, 15
71 684 02	20.80	1 pc.	28	71 884 23	40.70	1 pc.	15
71 684 03	20.80	1 pc.	28	71 884 27	40.70	1 pc.	15
71 684 07	20.80	1 pc.	28	71 887 01	42.60	1 pc.	15
71 684 08	20.80	1 pc.	28	71 887 02	42.60	1 pc.	15
71 684 10	20.80	1 pc.	28	71 887 03	42.60	1 pc.	15
71 684 12	20.80	1 pc.	23, 28	71 887 07	42.60	1 pc.	15
71 684 23	20.80	1 pc.	28	71 887 08	42.60	1 pc.	15
71 687 01	22.80	1 pc.	28	71 887 10	42.60	1 pc.	15
71 687 02	22.80	1 pc.	28	71 887 12	42.60	1 pc.	15
71 687 03	22.80	1 pc.	28	71 887 23	42.60	1 pc.	15
71 687 07	22.80	1 pc.	28	71 887 27	42.60	1 pc.	15
71 687 08	22.80	1 pc.	28	71 923 13	125.90	1 pc.	24
71 687 10	22.80	1 pc.	28	71 925 13	125.90	1 pc.	24
71 687 12	22.80	1 pc.	28	74 013 00	3.62	1 pc.	138
71 687 23	22.80	1 pc.	28	74 040 00	3.84	1 pc.	71, 129, 138
71 781 03	31.62	1 pc.	14, 16, 27, 29	74 515 00	7.34	1 pc.	120, 137
71 781 04	48.44	1 pc.	12, 16, 24-25, 29	74 516 00	10.12	1 pc.	115, 120, 137
71 781 60	8.32	1 pc.	13, 16, 18, 29	80 009 00	5.60	1 pc.	15, 28, 179
71 781 70	14.01	1 pc.	11, 16-17, 23, 29	80 016 00	5.60	1 pc.	15, 28, 45, 91, 111, 179
71 781 81	5.00	1 pc.	11, 13, 16, 29	80 036 00	38.40	1 pc.	135
71 781 90	10.80	1 pc.	11, 13, 16-18, 23, 29	81 100 00	7.10	1 pc.	131
71 813 13	103.20	1 pc.	14	81 100 04	7.10	1 pc.	83
71 813 23	103.20	1 pc.	14	81 315 02	49.42	1 pc.	51
71 813 34	103.20	1 pc.	14	81 315 04	57.08	1 pc.	51
71 813 35	103.20	1 pc.	14	81 731 02	84.22	1 pc.	65
71 815 11	103.20	1 pc.	14	81 731 03	100.24	1 pc.	65
71 815 21	103.20	1 pc.	14	81 731 05	105.10	1 pc.	115
71 823 13	154.20	1 pc.	12	81 733 03	129.80	1 pc.	65
71 823 23	154.20	1 pc.	12	81 733 06	113.80	1 pc.	65
71 825 11	154.20	1 pc.	12	81 734 01	97.68	1 pc.	65
71 825 21	154.20	1 pc.	12	81 737 00	106.46	1 pc.	65
71 828 46	80.30	1 pc.	25	81 737 01	122.46	1 pc.	65
71 833 01	146.00	1 pc.	5	91 115 10	14.50	1 pc.	75
71 833 02	146.00	1 pc.	5	91 115 11	16.90	1 pc.	75
71 833 07	146.00	1 pc.	5	91 115 12	16.90	1 pc.	75
71 833 08	146.00	1 pc.	5	91 116 10	17.70	1 pc.	76, 88
71 833 10	146.00	1 pc.	5	91 116 11	20.10	1 pc.	76, 88
71 833 12	146.00	1 pc.	5	91 116 12	20.10	1 pc.	76, 88
71 835 12	146.00	1 pc.	5	91 116 13	20.10	1 pc.	76, 88
71 843 01	325.00	1 pc.	8	91 116 16	17.70	1 pc.	76, 88
71 843 02	325.00	1 pc.	8	91 116 18	17.70	1 pc.	76, 88
71 843 07	325.00	1 pc.	8	91 150 10	55.30	1 pc.	75
71 843 08	325.00	1 pc.	8	91 150 11	57.70	1 pc.	75
71 843 10	325.00	1 pc.	8	91 150 12	57.70	1 pc.	75
71 843 12	325.00	1 pc.	8	91 901 00	50.41	1 pc.	85, 103, 183
71 845 12	325.00	1 pc.	8	91 902 00	95.26	1 pc.	20, 32, 182



§ 1: General conditions

1. Our entire supply and service, especially also in the future, are conducted exclusively under our following conditions. Additional side agreements or alterations of these conditions require the written form to be valid.
2. If the purchaser cites terms of business diverging from these, they are only binding for us, if they were accepted by us in writing. Neither the completion of supply and service, nor an omitted objection constitutes an acceptance of the purchaser's terms of business. If individual conditions or individual supply- and payment conditions of an executed agreement between the parties are ineffective, the remaining parts of the executed agreement will not be affected. The only case, where this is not applicable is, if the adherence to the agreement constitutes an unreasonable hardship for one of the parties. As soon as possible, the parties to the agreement will replace the ineffective condition with an effective condition, which is economically closest to the ineffective condition.

§ 2: Documents of GOK

We retain unlimited title to our copyright and exploitation right for business documents of GOK, such as quotes, models, drawings, stencils, templates, samples, tools and other manufacturing equipment as well as other written documentation. These documents can only be made available to outside third parties or used for third parties upon our prior approval. They are to be returned to us immediately upon request.

§ 3: Supply

1. Delivery terms are only binding, if explicitly agreed in writing.
2. The delivery term is complied with, if the goods have left works at the time of the expiration of the delivery term or if readiness for shipment has been announced.
3. In case of force majeure, measures in the course of industrial action (especially strike or lock-out), service failure by sub-suppliers, where we are not at fault, as well as other unforeseeable and non-culpable circumstances, the delivery term will be extended appropriately. If the above mentioned circumstances make supply impossible or unreasonable for us, we can withdraw from the agreement. The purchaser is entitled to withdraw from the agreement if, due to the delay, the acceptance is no longer reasonable. In important cases, we will notify the purchaser immediately regarding the occurrence of the mentioned circumstances.
4. Compensation claims by the purchaser due to delays in supply, as well as compensation claims instead of service, which exceed the limit mentioned in Nr. 4, are excluded in all cases of delayed supply, even after the expiry of any possible supply term set by us. The only case, where this is not applicable is, if we are compulsory liable in the case of intent, gross negligence or injury to life, body or health. An amendment of the onus of proof to the detriment of the purchaser is not associated herewith. The purchaser may withdraw from the agreement only within the scope of the legal regulations, if the delay in supply is to be due to our fault.
5. Upon our request, the purchaser is obligated to declare within an appropriate time, whether he will withdraw from the agreement due to the delay in supply and/or demands compensation instead of service or insists on supply.
6. If dispatch or delivery of the purchased goods are being delayed at the purchaser's request by more than one month from the notice of readiness for shipment, we will charge the purchaser a storage fee of 0.5 % of the price of the goods stored, not exceeding a total of 5 % for every month or part thereof. The right to prove higher or lower storage costs remains unaffected for both parties to the agreement.

§ 4: Reservation of title

1. Goods supplied by us remain our property (reserved goods) up to the payment of all claims, especially the respective balance claims from the business connection with the purchaser.
2. If the purchaser treats or processes the reserved goods, he will do so for us as manufacturers in the sense of § 950 German Civil Code, without any obligations arising for us. The treated and processed goods are deemed reserved goods in the sense of Nr. 1 above.
3. In case of the reserved goods being processed, connected or mixed by the purchaser with other goods, we are entitled to co-ownership of the newly created objects at the ratio of the invoice value of the reserved goods compared with the invoice value of the other utilised goods. If the reserved goods are combined with other objects to a common object and if the other object is to be deemed the main object, the purchaser is obligated to assign to us a pro-rata co-ownership, if the main object belongs to him.
4. The purchaser is entitled to on-sell the goods in the course of normal business or otherwise use the reserved goods. The purchaser is prohibited to otherwise utilise the reserved goods, especially for pledges or chattel mortgage.
5. The purchaser's claims resulting from the on-selling of the reserved goods are herewith assigned to us. The assigned claims will serve as security to the same extent as the reserved goods.
6. If the reserved goods are on-sold by the purchaser together with other goods, which were not supplied by us, the assignation of claims resulting from the on-selling is valid only for the invoiced amount of the reserved goods. In case of co-ownership, the assignation covers only our pro-rata co-ownership according to Nr. 3 above.

7. The purchaser is authorised only revocable, and in the course of normal business, to recover the assigned claims.
8. We will only invoke our right of veto, if the purchaser has neglected his payment obligations toward us or in case of other circumstances, which jeopardise our claims due to the deterioration of the credit status of the purchaser. In this case, the purchaser is obligated at our request, to immediately inform his customers of the assignation to us and provide us with the necessary information and documents for the recovery.
9. In case of failure to comply with the payment conditions, unauthorised disposal of the reserved goods, a significant deterioration of the purchaser's asset situation, bill-of-exchange or cheque protest or if the purchaser himself or a third party applies for insolvency of the purchaser, we are entitled to prohibit the treatment and processing, as well as the on-selling of the reserved goods. In cases such as these, we are also entitled to confiscate the reserved goods and for this purpose enter the premises of the purchaser, request appropriate information as well as gain necessary access to his accounting records. The claim for return, but not the simple redemption of the reserved goods, constitutes the withdrawal from the agreement.
10. If the value of the security interests owed to us exceed our claims in total by more than 10 %, we will, on the purchaser's request, relinquish a suitable part of the security interests at our choice.
11. The purchaser has to notify us immediately regarding impending or executed attachments as well as assertion of third party rights on the reserved goods and/or the claims assigned to us.

§ 5: Dispatch and transfer of risk

1. The dispatch is ex-works at the expense and risk of the purchaser. This also applies, if and insofar the dispatch is conducted with our own means of transport. Transport insurance is only taken out at the request of the purchaser and at the purchaser's expense.
2. If the dispatch is delayed due to circumstances, for which the purchaser is responsible, the risk is transferred to the purchaser upon receipt of the note of readiness for dispatch. Upon notification of deadline and its unsuccessful expiry, we are entitled to dispose of the delivery-object and supply the purchaser at an appropriately extended term.
3. We are entitled to partial deliveries of reasonable volume.

§ 6: Prices

1. Unless otherwise agreed, all prices are net plus VAT at the applicable rate on the date of dispatch. Prices are applicable for delivery ex works excluding packaging.
2. Prices are subject to change and are duty unpaid. Invoicing occurs according to the prices relevant at the date of dispatch.
3. If the goods are dispatched to another Member State of the European Union, the purchaser is obligated to provide us with his VAT ID number applicable for the delivery and his branch of trade prior to dispatch.

§ 7: Payment conditions

1. Our invoices are payable without deduction within 30 days of the invoice date. If these terms are exceeded, we are entitled to charge default interest in accordance with the legal regulations. We reserve the right to transmit our invoices by letter mail or electronically, by e-mail or EDI.
2. The purchaser is only entitled to withhold payment or set off possible counter claims, if these were accepted by us in writing or if they have been legally determined.
3. Default of payment by the purchaser or any other risk to our claim due to the deterioration of the purchaser's credit status permit us, to immediately call in all existing claims resulting from the entire business connection - regardless of term of maturity - or demand appropriate securities. In such a case, we are further entitled to carry out pending deliveries only against appropriate cash advance or securities.
4. We may offset all claims, which we have against the purchaser, against all claims, which the purchaser has against us.

§ 8: Liability for material defect

1. Those goods, which show a material defect within the statute of limitation, are to be repaired or delivered anew free of charge at our choice, provided that the cause of the material defect existed at the time of risk transfer. If we rectify the defects in such a case, it does not constitute an acknowledgement of the purchaser's right to claim.
2. The material defects claims shall lapse within 12 months after delivery to a entrepreneur. However, this does not apply in the case, where the law prescribes longer terms due to a right of recourse in accordance with § 479 sub paragraph 1 German Civil Code.
3. The purchaser has to give notice of a defect in writing immediately.
4. In any case, the purchaser has to provide us with an opportunity to rectify the defect within an appropriate timeframe.

5. In the case of a notice of material defects, the purchaser may only withhold payment to the extent of an appropriate ratio to the material defects occurred. The purchaser may only withhold payment, if a notice of material defects has been asserted and if it is justified. If a notice of material defect is unjustified, we are entitled to demand reimbursement from the purchaser for any costs incurred.
6. If a rectification of the defects fails, the purchaser may - regardless of any compensation claims in accordance with § 10 - withdraw from the agreement or reduce the payment.
7. Claims based on defects do not exist in the following cases:
 - a) insignificant variance from the agreed consistency or
 - b) insignificant impairment of usability or
 - c) natural wear and tear or
 - d) damages incurred subsequently to the transfer of risk, due to incorrect or negligent treatment, excessive load, unsuitable maintenance resources, inadequate installation or due to particular outside influences, which are not provided for according to the agreement.
 - e) If the purchaser or a third party performs any improper alterations or repairs to the goods supplied by us or on other products which have repercussions on the goods supplied by us; there are no claims based on defect for those and the consequences arising from them.
8. A legal right of recourse by the purchasers against us only exist to the extent, as the purchaser has not entered into any additional agreements with his buyer, which exceed the legal claims of defect. The following clause is applicable to the extent of the purchaser's right of recourse against us.
9. Claims by the purchaser for expenses incurred due to the purpose of rectification, especially transport-, shipping- and handling-, labour- and material costs are excluded, if the expenses were increased due to the supplied object being moved to a place different from the purchaser's place of delivery, unless the transfer complies with its usage in accordance with regulations.
10. § 10 applies for any compensation claims. Further or other claims by the purchaser against us and our vicarious agents due to a material default, as those regulated under § 10, are excluded.

§ 9: Impossibility; Adaptation of contracts

1. If the supply is impossible, the purchaser is entitled to claim compensation, unless we are not responsible for the impossibility. However, the compensation of the purchaser is limited to 5 % of the value of that part of the delivery, which was not supplied or could not be otherwise used due to the impossibility. However, this limitation does not apply in case of intent, gross negligence or in cases of injury of life, body or health or any other compulsory liability. This does not incorporate an adaptation of the onus of proof to the detriment of the purchaser. The purchaser's right of withdrawal from the agreement remains unaffected.
2. If unexpected events, which could not be predicted, considerably influence the economic significance or the content of the delivery or our organisation, the agreement will be adapted accordingly in good faith. If we can not economically justify this we have the right to withdraw from the agreement. In such a case we are obligated to notify the purchaser in writing following our realisation of the extent of the occurrence, even in such a case, where an extended delivery term was agreed upon with the purchaser initially.

§ 10: Further, other claims of compensation

1. Claims for compensation and -expenditure by the purchaser, regardless of the legal foundation, especially due to violation of duties resulting from the agreement and due to unauthorised activity are excluded.
2. This does not apply if we are compulsory liable, i.e. according to the Product Liability Act, in cases of intent, gross negligence, injury to life, body, health or due to the violation of significant contractual duties. However, the compensation claim for violation of significant contractual duties is limited to contractually typical, predictable damages, unless they represent intent or gross negligence or pertain to injury of life, body or health. This does not incorporate an adaptation of the onus of proof to the detriment of the purchaser.
3. Such claims for compensation, as far as the purchaser is entitled to them in accordance with this § 10, expire with the expiration of the statute of limitation applicable for material defect claims as described in § 8.

§ 11: Taking back and environmentally friendly disposal of electronic devices

1. The Customer is obligated to properly dispose of the electronic devices of the "GOK" brand delivered to them at their own expense in accordance with the provisions in the Elektro- und Elektronikgerätegesetz (ElektroG) [Electrical and Electronic Equipment Act] after termination of the use thereof. Thus, "GOK Regler- und Armaturen-Gesellschaft mbH & Co. KG" is exempt from the obligations under Sec. 10 para. 2 ElektroG and third-party claims connected thereto.
2. If the Customer fails to contractually obligate third parties to whom they forward our electronic devices to assume the disposal obligation and to pass on obligations, the Customer shall be obligated to take back the supplied electronic devices at their own expense and to properly dispose of them in accordance with the statutory provisions after termination of the use thereof.
3. The claim of "GOK Regler- und Armaturen-Gesellschaft mbH & Co. KG" to assumption of the obligation to dispose of electronic devices of the "GOK" brand in compliance with statutory provisions by the Customer supplied by GOK shall not lapse before two years after final termination of the use of the electronic devices supplied to the Customer by us. The two-year period of expiry suspension shall commence no earlier than on the date on which we receive a written communication on the termination of use by our Customer.

§ 12: Place of performance and jurisdiction

1. Place of performance is Marktbreit, if the parties are registered traders.
2. The place of jurisdiction for all disputes under this contractual relationship shall be Marktbreit to the extent it is a dispute with a Vollkaufmann [registered trader under German law]. However, we are entitled to also raise claim at the purchaser's place of business.
3. The law of the Federal Republic of Germany applies for all legal relationships between the purchaser and us under exclusion of the UN Convention on Contracts for the International Sale of Goods (CISG) from the 11.04.1980.

As of: October 2019

A		C		L	
Accessories		Cylinder system	173-177	Leak tester	57
- for gas filter	16, 29	control valve 90°	82, 94	- Marine	114
- for quick-acting stop valve	147	D		Leak testing	71-72, 126
Adapter	138	De-icer	19, 30-31	Leakage testing device	
- International	134	Distributor valve	48-50, 117-119	- Caravan	57
Anti-tilt device	93	Double branch piece	94	- Marine	114
Assembly aid	125, 158	E		Level gauge	
Assembly case		Electronic pressure regulator test device		- Gas scale	20, 32, 85, 103, 182-183
- Camping and caravan	73	Regulator Check LPG PRO	71, 129	- Scale	20, 32, 85, 103, 182-183
- Marine for LPG systems		Electronic test equipment leak check		- Senso4s BASIC	85, 103, 183
in marine applications	130	- LPG PRO BT for caravan and marine	69, 128	- Senso4s PLUS	20, 32, 182
B		- LPG PRO for caravan and marine	68, 127	Locking screw	83, 135
Ball valve	120	Euro		Low pressure regulator	87
Bending device for pipes	165	- Adapter	134	- Camping	76, 88-89
Blind nut	161, 180	- Filling set D	134	- Camping adjustable	76, 89
Blind plug	21, 83, 135	- Set CH/FR	84, 133	- Caravan	5, 26-27, 36-38, 41
- for distributor valve	159	- Set CH/FR Professional	133	- Caravan for fixed lines	
- with coupling nut	161	- Set D	84, 132	- Caravan for LPG tank	42-43
Bourdon tube pressure gauge	180	- Set D Professional	131	- Grill and barbecue	75-76, 88
Branch stop valve	82, 94	Excess flow device	54, 79, 95	- Household and industry	166
Branch-off fitting	94	External LPG feed for leisure vehicles	67	- Industry	170-171
Bulkhead compression fitting		elbow 90°	21	- Marine	106-110
- angle	62, 123, 152, 155	F		Lubricant	125, 158
- straight	62, 123-124, 152, 155, 157	Filter cartridge	16, 29	M	
Burner set	185	Fitting	27, 83, 137-139	Magnetic insert	185
brass		Fixing bracket	147	Manual changeover valve	33
- Bulkhead compression fitting	123, 155	Function check set	71, 129	Medium pressure hose assembly	
- Screw connection	122, 154-155	Function check set for caravan and marine	72	- Plastic	40, 56, 80, 99, 142
C		G		- Rubber	39, 55, 80, 96-98, 139-141
Camping stove	101	GAZ valve	45, 91, 111	- Rubber corrosion resistant	112-113, 144-145
Caramatic		Gas		Medium pressure regulator	
- BasicControl	9, 35, 106	- Anti-tilt device	93	- Primus	40
- BasicOne	26-27, 36-38	- Cartridge	102	- with EFV (SBS)	78
- BasicTwo	105	Gas cooker	101	Metal pipe clamp	165
- ConnectBasic	28	Gas cylinder valve	45, 91, 111	MiniTool	83, 131
- ConnectClean	16, 29	- for butane cylinders	45, 91, 111	O	
- ConnectDrive	15	- for propane cylinders	45, 91, 111	Olive	
- DriveOne	13-14, 18	Gas filter	16, 29	- Brass	160
- DriveTwo	11-12, 17	Gas socket	67, 115	- Stainless steel	160
- ProTwo	23-24	Gasket	179	- Steel	160
- SafeDrive	5	- for cylinder connection	179	Outlet box variant	64-65, 115
- SafeDrive PLUS	8	Gasket box	179	P	
- SwitchTwo	25	H		Pipe	164-165
- TwoControl	19, 30-31	High pressure hose assembly		- Bending device	165
Changeover valve	33	- Rubber	28	Pipe clamp	
- Caramatic DriveTwo	11-12, 17	- Rubber with SBS	15	- Metal	165
- Caramatic ProTwo	23-24	Hose coupling	138	Piping anchorage	165
- Caramatic SwitchTwo	25	Hose guard	115, 136	Plastic cap	180
Clip-on adapter	135	Hull / wall duct	44, 115, 136	Plug	21, 83, 135
Compression fitting	58-62, 122-125, 138, 148-152, 154-161	I		Plug-in fitting	
Connection set	21	Infrared		- Brass	53, 81, 100
Cooker connection set		- Heater	184	Pre-assembly socket	125, 158
- Basic	168	- LPG radiator	184	Pre-pressure regulator	44, 114
- Basic for Austria	169	Insect protection device	180	Pressure gauge	180
- Pro	168	L		Pressure regulator test device	71, 129
- Pro for Austria	169	Leak Check LPG PRO	68, 127	Pressure test	71-72, 126, 129
Coupling nut	159	Leak Check LPG PRO BT	69, 128	Protection of hose assemblies	115, 136
- Brass	159	Leak detector spray	82, 162	Q	
- Stainless steel	159	- frost-proof	162	Quick coupler	
Coupling valve	51	Leak tester	72, 126	- Brass	53, 81, 100
Cylinder cabinet	178	- with additional volume	71	Quick-action stop valve	46-47, 51, 53, 81, 100, 116, 146

R		S		T	
Reducer insert straight	61, 151	Screw-in connector		Test device for vehicles	52
Reducing compression fitting		- angle conical	60, 150	Test equipment Leak Check LPG BASIC	
- angle	59, 149	- straight conical	60, 150	for caravan and marine	70, 129
- straight	59, 149	Screw-on compression fitting		Thermocouple Universal	185
- T-form	59, 149	- angle	61, 151	Transport safety device for gas cylinders	181
Regulator Check LPG PRO	71, 129	- straight	60, 150	Two-cylinder system	173-175, 177
Regulator bracket	83	Sealing nut	21, 180	- Caramatic BasicTwo	105
Regulator-hose assembly set	77-78, 90	Seamless precision steel pipe	164	- Caramatic SafeDrive PLUS	8
Reinforcement ring	161	Shut-off block	120	V	
Remote display		Shut-off device	46-50, 116-119, 146	Valve	46-47, 82, 94, 116, 146
- BasicControl	9, 35, 106	Single-cylinder system		Valve and fitting grease	125, 158
- TwoControl	19, 30-31	- for small cylinders	92, 167, 172	Valve protection cap	180
Replacement cartridge for gas filter	16, 29	Soldering gun	102	Variant outlet box	64-65, 115
S		Spare part		W	
SBS	54, 79, 95	- for gas filter	16, 29	Water regulator	65
Safety pilot	185	Stainless steel			
Screw connection	58-62, 122-125, 138,	- Screw connection	124, 156-157, 161		
	148-152, 154-160	Steel pipe	164		
- angle	58-59, 61, 122, 124, 148-149,	- ZISTAPLEX	165		
	151, 154, 156	Support sleeve	161		
- straight	58, 122, 124, 148, 154, 156				
- T-form	59, 122, 124, 149, 155, 157				

LPG installations

LPG in leisure time



Oil firing installations

Tank management

Components • Solutions • Systems